

GUTTERCREST

ALUMINIUM

GEORGIAN SQUARE & RECTANGLE DOWNPIPES



75 X 75 mm
3 X 3"



75 X 50 mm
3 X 2"



100 X 100 mm
4 X 4"



100 X 75 mm
4 X 3"

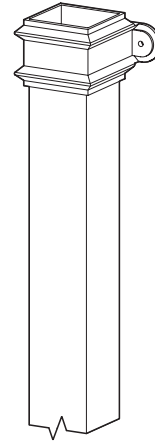
PRICE LIST

PRICE LIST

GEORGIAN SQUARE & RECTANGULAR DOWNPIPE SYSTEM

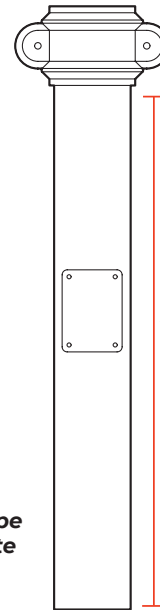
DOWNPIPE LENGTHS

Pipe (mm)	75 x 50	75 x 75	100 x 75	100 x 100
3.0mtr	RW32G/1	RW33G/1	RW43G/1	RW44G/1
MILL	43.98	51.50	64.91	72.32
PPC	52.24	61.41	76.47	85.54
1.8mtr	RW32G/3	RW33G/3	RW43G/3	RW44G/3
MILL	33.67	39.08	47.58	52.47
PPC	38.63	45.03	54.52	60.40

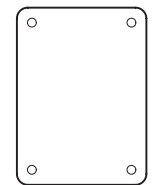


ACCESS PIPES & PLATES

Pipe (mm)	75 x 50	75 x 75	100 x 75	100 x 100
Pipe With Plate	RW32G/8	RW33G/8	RW43G/8	RW44G/8
MILL	35.79	39.33	43.88	46.96
PPC	38.05	42.11	47.12	50.66
Plate Only	RW32/9	RW33/9	RW43/9	RW44/9
MILL	3.99	3.99	4.71	4.71
PPC	4.54	4.54	5.26	5.26



Approx
700mm

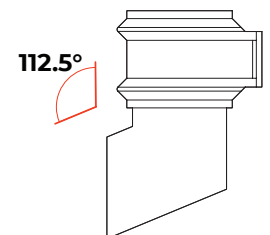
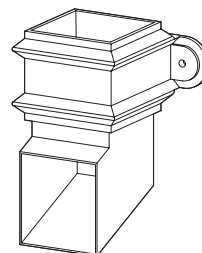


Access Plate

Access Pipe
With Plate

SHOES

Pipe (mm)	75 x 50	75 x 75	100 x 75	100 x 100
Shoe	RW32G/10	RW33G/10	RW43G/10	RW44G/10
MILL	35.00	39.82	42.07	46.51
PPC	35.57	40.59	42.97	47.68



112.5°

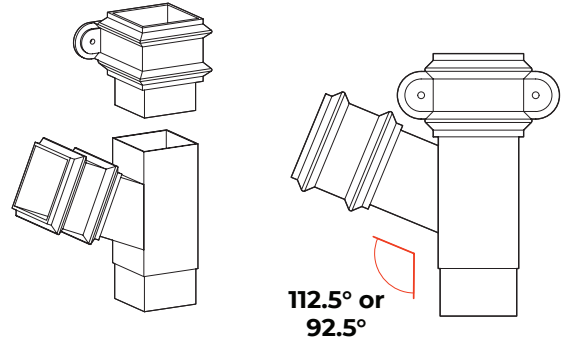
PRICE LIST

GEORGIAN SQUARE & RECTANGULAR DOWNPIPE SYSTEM

UNIVERSAL BRANCHES

Pipe (mm)	75 x 50	75 x 75	100 x 75	100 x 100
Branch	RW32G/11	RW33G/11	RW43G/11	RW44G/11
MILL	62.90	71.07	75.61	83.74
PPC	63.65	71.97	76.77	85.07

NOTE: UNIVERSAL BRANCH FOR LEFT OR RIGHT, IF ONE PIECE IS REQUIRED PLEASE STATE INCLUDING LEFT OR RIGHT HAND

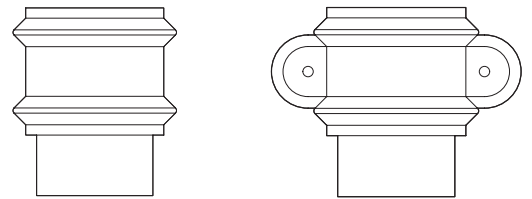


112.5° branch shown

CONNECTORS

Pipe (mm)	75 x 50	75 x 75	100 x 75	100 x 100
Connector No Ears	RW32G/12	RW33G/12	RW43G/12	RW44G/12
MILL	20.24	22.55	25.28	26.43
PPC	20.79	23.10	25.84	27.07
Connector Eared	RW32G/13	RW33G/13	RW43G/13	RW44G/13
MILL	21.67	24.97	24.84	28.16
PPC	22.22	25.52	25.40	28.80

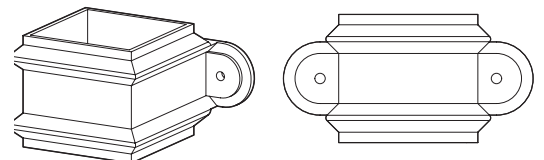
NOTE: GROUND ADAPTORS AVAILABLE



COLLAR BRACKETS

Pipe (mm)	75 x 50	75 x 75	100 x 75	100 x 100
Collar Bkt Eared	RW32G/15	RW33G/15	RW43G/15	RW44G/15
MILL	17.51	19.08	19.34	19.80
PPC	18.06	19.63	19.89	20.35

NOTE: THIS ITEM IS USED IN PLACE OF A BRACKET, FOR EXAMPLE AT THE BASE OF A DOWNPIPE IF NO SHOE IS REQUIRED

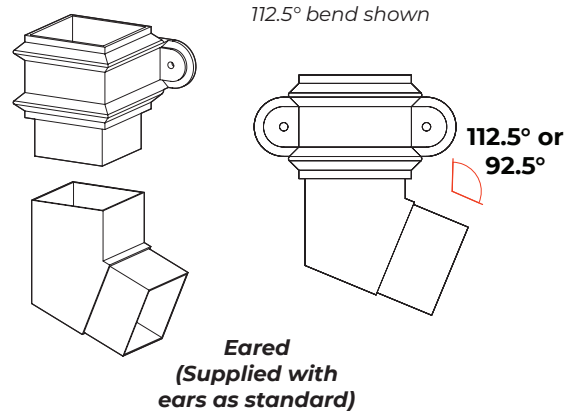


PRICE LIST

GEORGIAN SQUARE & RECTANGULAR DOWNPIPE SYSTEM

BENDS

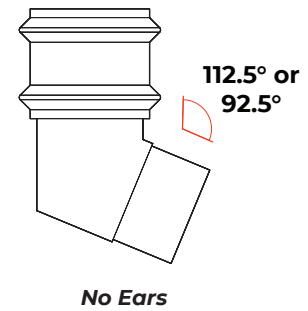
Pipe (mm)	75 x 50	75 x 75	100 x 75	100 x 100
Side Bend No Ears		RW33G/21	RW43G/21	RW44G/21
MILL	39.06	43.93	49.31	52.82
PPC	39.61	44.58	50.07	53.77
Side Bend Eared		RW33G/22	RW43G/22	RW44G/22
MILL	40.50	46.35	48.87	54.56
PPC	41.05	47.00	49.63	55.51



NOTE: UNIVERSAL BENDS FOR LEFT OR RIGHT, IF ONE PIECE IS REQUIRED PLEASE STATE INCLUDING LEFT OR RIGHT HAND

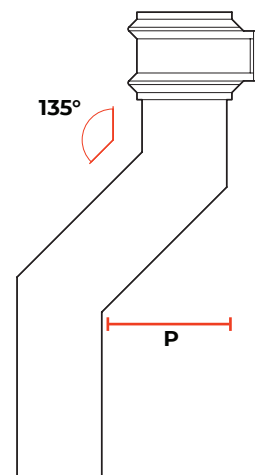
NORMALLY USED WITH A BRANCH

RECTANGULAR BENDS CAN ONLY BE USED AS A SIDE LEFT OR RIGHT NOT FORWARD OR REAR PROJECTING



PLINTH OFFSETS

Pipe (mm)	75 x 50	75 x 75	100 x 75	100 x 100
Offset Up To 150mm	RW32G/23	RW33G/23	RW43G/23	RW44G/23
MILL	66.38	73.50	78.32	84.76
PPC	67.67	75.05	80.17	86.91



PRICE LIST

GEORGIAN SQUARE & RECTANGULAR DOWNPIPE SYSTEM

SWAN NECKS

SWAN NECK 1 PIECE

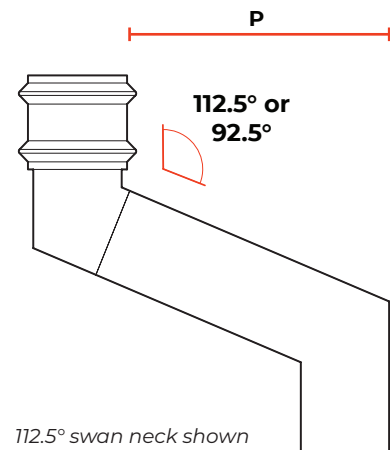
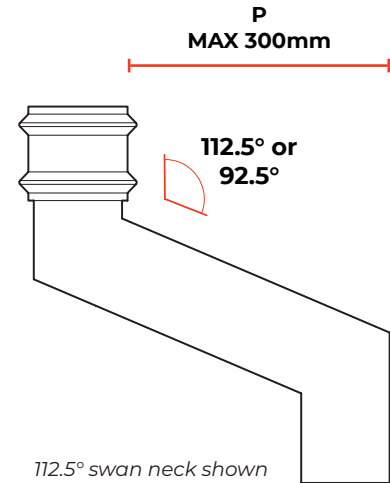
Pipe (mm)	75 x 50	75 x 75	100 x 75	100 x 100
One Piece 300mm		RW33G/25	RW43G/25	RW44G/25
MILL	67.32	75.22	81.00	87.54

NOTE: PLEASE STATE PROJECTION (P) SIZE

SWAN NECK 2 PIECE

Pipe (mm)	75 x 50	75 x 75	100 x 75	100 x 100
Two Piece 300mm		RW33G/26	RW43G/26	RW44G/26
MILL	52.54	61.82	70.95	71.03
PPC	54.41	64.01	73.51	74.10
Two Piece 450mm		RW33G/27	RW43G/27	RW44G/27
MILL	53.98	63.54	71.93	73.21
PPC	56.29	66.26	75.11	76.98
Two Piece 600mm		RW33G/28	RW43G/28	RW44G/28
MILL	55.27	65.10	73.75	75.71
PPC	58.04	68.37	77.56	80.21
Two Piece 900mm		RW33G/29	RW43G/29	RW44G/29
MILL	59.30	68.49	80.29	81.75
PPC	62.96	72.83	85.36	87.68
Two Piece 1200mm		RW33G/30	RW43G/30	RW44G/30
MILL	61.48	72.58	83.18	88.35
PPC	66.05	78.01	89.52	95.73

NOTE: PLEASE STATE PROJECTION (P) SIZE



PRICE LIST

FIXINGS & SEALANTS

Code	Qty	Description	Price
GM1	25	Gutter Fixing 38 x 5.5 A2 Stainless Steel	4.44
GM2	100	Gutter Fixing 38 x 5.5 A2 Stainless Steel	13.44
GM3	200	Gutter Fixing 38 x 5.5 A2 Stainless Steel	26.08



GM1 - GM5

Code	Qty	Description	Price
GM201	25	4.8 x 14.7 All Aluminium sealed Rivet	3.29
GM202	100	4.8 x 14.7 All Aluminium sealed Rivet	12.09
GM203	200	4.8 x 14.7 All Aluminium sealed Rivet	22.68



GM201 - GM203

Code	Qty	Description	Price
GM610	25	6.3mm STRUCTURAL Aluminium Rivet	10.67
GM620	100	6.3mm STRUCTURAL Aluminium Rivet	37.92
GM630	200	6.3mm STRUCTURAL Aluminium Rivet	75.84



GM610 - GM620

Code	Qty	Description	Price
GM20	25	Downpipe Fixing 6 x 50 A2 Stainless Steel	9.54
GM21	100	Downpipe Fixing 6 x 50 A2 Stainless Steel	31.84



GM20 - GM21

Code	Qty	Description	Price
GM30	1	380ml Cartridge Silicone Sealant - Grey	10.80
GM32	1	1no 12mtr Reel Butyl Tape 12mm x 3mm	6.33
GM40	1	Touch Up Paint - Colour to match order	23.35
GM50	1	1no Drill Bit 4.8mm	2.02
GM51	1	1no Drill Bit 6.4mm	2.69



GM30



GM32



GM50 - GM60

Code	Qty	Description	Price
GM910	1	Standard Rainwater Rivet Gun	19.52
GM920	1	Professional Rivet Gun - Interchangeable collets for rain-water and structural rivets	111.10



GM910



GM920

PRICE LIST

CARRIAGE CHARGES

GUTTERS, DOWNPIPES & HOPPERS

TOTAL NET ORDER VALUE (EXCLUDING VAT)		PRICE
£0 - £99	BOXED UP TO 10KG	£15 Min Charge
£0 - £99	3M LENGTHS UP TO 10KGS	£30
£100 - £624		£40
£625 - £1249		£55
£1250 PLUS		FREE DELIVERY

Delivery Exclusions Apply:
Please see the Charges
section below

COPING, FASCIAS & SOFFITS

TOTAL NET ORDER VALUE (EXCLUDING VAT)	PRICE
£0 - £150	£40
£151 - £1249	£95
£1250 PLUS	FREE DELIVERY

Delivery Exclusions Apply:
Please see the Charges
section below

CHARGES

With a fleet of Guttercrest vehicles and outside couriers, we deliver all our aluminium products to your local builders merchant or direct to site.

SCOTTISH MAINLAND

Standard carriage charges apply on
Postcode areas: DG, EH, G, KA, KY, TD

ALSO TO INCLUDE: DD1 - DD7, FK1 - FK7, FK9 - FK15,
FK8 STERLING ONLY (Rest of FK8 will be price on application),
KY1 - KY16, PA1 - PA19, PH1 - PH4, PH12 - PH14

All other Scottish Mainland, carriage price on application.

NON MAINLAND

For delivery to Northern Ireland, The Republic of Ireland
and all offshore Islands, carriage Price on application.

EXPORT

Price on application.

Tel: +44 (0)1691 663300

Email: info@guttercrest.co.uk

VAT will be charged at the appropriate rate.

