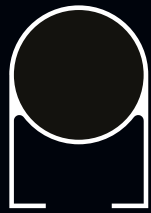


GUTTERCREST

ALUMINIUM

**HIGH SECURITY
DOWNPIPES**

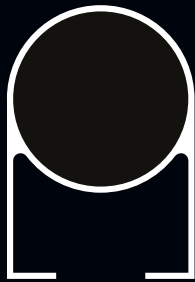
75mm
3"



75 X 50mm
3" x 2"



100mm
4"



100 X 75mm
4" x 3"



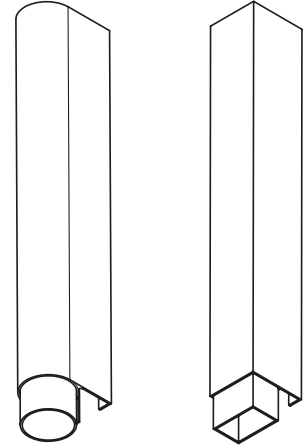
PRICE LIST

PRICE LIST

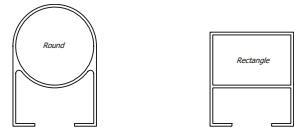
HIGH SECURITY DOWNPIPE SYSTEM

DOWNPIPE LENGTHS

Pipe (mm)	75 Ø	75 x 50	100 Ø	100 x 75
3.0mtr	RW2HS/1	RW32HS/1	RW3HS/1	RW43HS/1
MILL	81.59	111.33	100.25	94.42
PPC	91.02	120.66	112.61	106.22
1.5mtr	RW2HS/4	RW32HS/4	RW3HS/4	RW43HS/4
MILL	46.45	61.37	56.32	53.81
PPC	51.17	66.04	62.50	59.71
1.0mtr	RW2HS/5	RW32HS/5	RW3HS/5	RW43HS/5
MILL	34.33	44.31	41.27	39.86
PPC	37.47	47.42	45.39	43.79

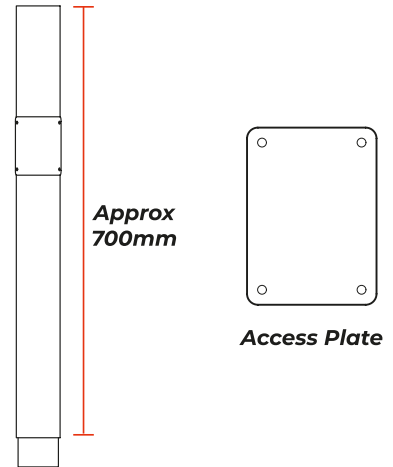


Typical High Security pipe profiles



ACCESS PIPES & PLATES

Pipe (mm)	75 Ø	75 x 50	100 Ø	100 x 75
Pipe With Plate	RW2HS/8	RW32HS/8	RW3HS/8	RW43HS/8
MILL	44.89	49.85	50.85	47.63
PPC	47.25	52.18	53.94	50.58
Plate Only	RW2/9	RW32/9	RW3/9	RW43/9
MILL	7.29	4.27	7.87	5.10
PPC	7.84	4.82	8.42	5.65

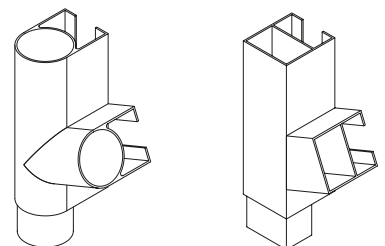


Access Pipe With Plate

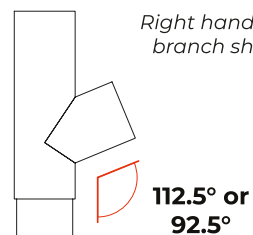
Access Plate

BRANCHES - NOT UNIVERSAL

Pipe (mm)	75 Ø	75 x 50	100 Ø	100 x 75
Branch Left Hand	RW2HS/11LH	RW32HS/11LH	RW3HS/11LH	RW43HS/11LH
MILL	56.15	41.34	62.63	46.32
PPC	57.27	42.35	64.29	47.90
Branch Right Hand	RW2HS/11RH	RW32HS/11RH	RW3HS/11RH	RW43HS/11RH
MILL	56.15	41.34	62.63	46.32
PPC	57.27	42.35	64.29	47.90



Right hand 112.5° branch shown



NOTE: WHEN ORDERING BRANCHES PLEASE STATE LEFT OR RIGHT NORMALLY USED WITH A BEND

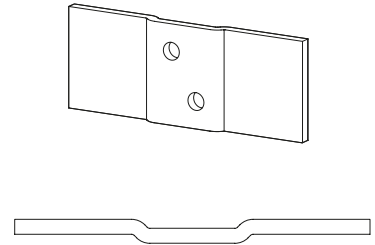
112.5° or 92.5°

PRICE LIST

HIGH SECURITY DOWNPIPE SYSTEM

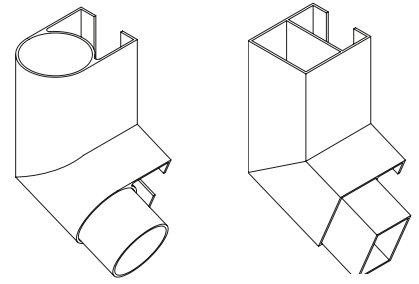
PIPE BRACKETS

Pipe (mm)	75 Ø	75 x 50	100 Ø	100 x 75
High Security Pipe Clip	RW2HS/16	RW32HS/16	RW3HS/16	RW43HS/16
MILL	1.57	1.57	1.71	1.71
PPC	2.12	2.12	2.26	2.26

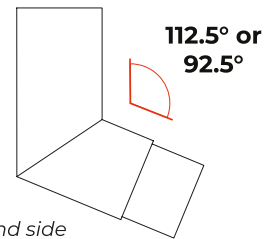


SIDE BENDS - LEFT HAND & RIGHT HAND

Pipe (mm)	75 Ø	75 x 50	100 Ø	100 x 75
Bend Left Hand	RW2HS/21LH	RW32HS/21LH	RW3HS/21LH	RW43HS/21LH
MILL	31.62	38.54	37.83	41.25
PPC	32.38	39.24	38.90	42.19
Bend Right Hand	RW2HS/21RH	RW32HS/21RH	RW3HS/21RH	RW43HS/21RH
MILL	31.62	38.54	37.83	41.25
PPC	32.38	39.24	38.90	42.19



NOTE: WHEN ORDERING BENDS PLEASE STATE LEFT OR RIGHT
NORMALLY USED WITH A BRANCH

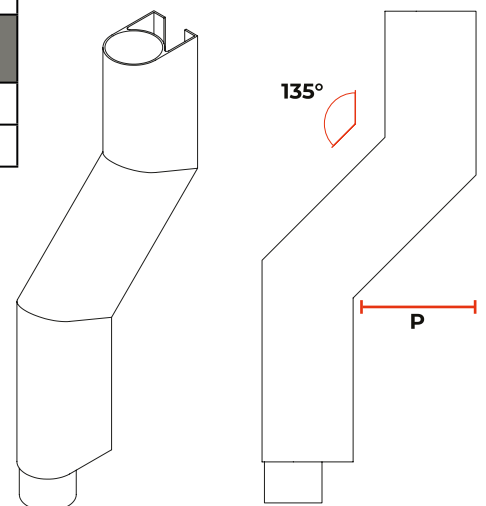


Right hand side
112.5° bend shown

PLINTH OFFSETS

Pipe (mm)	75 Ø	75 x 50	100 Ø	100 x 75
Offset Up To 150mm	RW2HS/23	RW32HS/23	RW3HS/23	RW43HS/23
MILL	75.51	90.54	96.50	91.24
PPC	77.57	92.80	99.28	93.81

NOTE: PLEASE STATE PROJECTION (P) SIZE



PRICE LIST

HIGH SECURITY DOWNPIPE SYSTEM

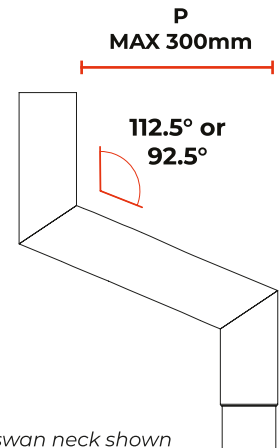
SWAN NECKS

SWAN NECK SECTIONS FOR THE HIGH SECURITY DOWNPIPE SYSTEM ARE PRODUCED FROM PIPE IN OUR STANDARD ROUND, SQUARE & RECTANGLE RANGES

SWAN NECK 1 PIECE

Pipe (mm)	75 Ø	75 x 50	100 Ø	100 x 75
One Piece 300mm	RW2HS/25	RW32HS/25	RW3HS/25	RW43HS/25
MILL	52.87	61.39	61.31	73.44
PPC	54.50	62.98	63.56	75.62

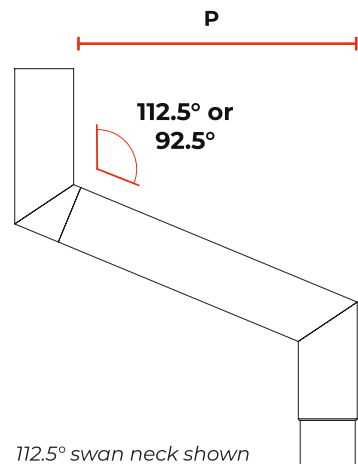
NOTE: PLEASE STATE PROJECTION (P) SIZE



112.5° swan neck shown

SWAN NECK 2 PIECE

Pipe (mm)	75 Ø	75 x 50	100 Ø	100 x 75
Two Piece 300mm	RW2HS/26	RW32HS/26	RW3HS/26	RW43HS/26
MILL	33.51	45.15	44.67	60.93
PPC	35.76	46.86	47.76	63.09
Two Piece 450mm	RW2HS/27	RW32HS/27	RW3HS/27	RW43HS/27
MILL	35.07	45.52	45.43	61.02
PPC	37.82	47.73	49.18	63.87
Two Piece 600mm	RW2HS/28	RW32HS/28	RW3HS/28	RW43HS/28
MILL	36.65	48.47	48.34	63.47
PPC	39.92	51.19	51.94	67.44
Two Piece 900mm	RW2HS/29	RW32HS/29	RW3HS/29	RW43HS/29
MILL	41.22	51.82	52.69	69.27
PPC	44.08	55.48	57.40	74.49
Two Piece 1200mm	RW2HS/30	RW32HS/30	RW3HS/30	RW43HS/30
MILL	44.90	55.36	57.19	75.38
PPC	48.45	59.93	63.02	81.87



112.5° swan neck shown

PRICE LIST

FIXINGS & SEALANTS

Code	Qty	Description	Price
GM1	25	Gutter Fixing 38 x 5.5 A2 Stainless Steel	4.56
GM2	100	Gutter Fixing 38 x 5.5 A2 Stainless Steel	13.86
GM3	200	Gutter Fixing 38 x 5.5 A2 Stainless Steel	26.90



GM1 - GM5

Code	Qty	Description	Price
GM201	25	4.8 x 14.7 All Aluminium sealed Rivet	3.38
GM202	100	4.8 x 14.7 All Aluminium sealed Rivet	12.46
GM203	200	4.8 x 14.7 All Aluminium sealed Rivet	23.38



GM201 - GM203

Code	Qty	Description	Price
GM610	25	6.3mm STRUCTURAL Aluminium Rivet	10.97
GM620	100	6.3mm STRUCTURAL Aluminium Rivet	39.11
GM630	200	6.3mm STRUCTURAL Aluminium Rivet	78.21



GM610 - GM620

Code	Qty	Description	Price
GM20	25	Downpipe Fixing 6 x 50 A2 Stainless Steel	9.81
GM21	100	Downpipe Fixing 6 x 50 A2 Stainless Steel	32.84



GM20 - GM21

Code	Qty	Description	Price
GM30	1	380ml Cartridge Silicone Sealant - Grey	11.00
GM32	1	1no 12mtr Reel Butyl Tape 12mm x 3mm	6.56
GM40	1	Touch Up Paint - Colour to match order	23.98
GM50	1	1no Drill Bit 4.8mm	2.06
GM51	1	1no Drill Bit 6.4mm	2.74



GM30



GM32



GM50 - GM60

Code	Qty	Description	Price
GM910	1	Standard Rainwater Rivet Gun	20.13
GM920	1	Professional Rivet Gun - Interchangeable collets for rain-water and structural rivets	115.19



GM910



GM920

PRICE LIST

CARRIAGE CHARGES

GUTTERS, DOWNPIPES & HOPPERS

TOTAL NET ORDER VALUE (EXCLUDING VAT)		PRICE
£0 - £99	BOXED UP TO 10KG	£15 Min Charge
£0 - £99	3M LENGTHS UP TO 10KGS	£30
£100 - £624		£40
£625 - £1249		£55
£1250 PLUS		FREE DELIVERY

Delivery Exclusions Apply:
Please see the Charges
section below

COPING, FASCIAS & SOFFITS

TOTAL NET ORDER VALUE (EXCLUDING VAT)	PRICE
£0 - £150	£40
£151 - £1249	£95
£1250 PLUS	FREE DELIVERY

Delivery Exclusions Apply:
Please see the Charges
section below

CHARGES

With a fleet of Guttercrest vehicles and outside couriers, we deliver all our aluminium products to your local builders merchant or direct to site.

SCOTTISH MAINLAND

Standard carriage charges apply on
Postcode areas: DG, EH, G, KA, KY, TD

ALSO TO INCLUDE: DD1 - DD7, FK1 - FK7, FK9 - FK15,
FK8 STERLING ONLY (Rest of FK8 will be price on application),
KY1 - KY16, PA1 - PA19, PH1 - PH4, PH12 - PH14

All other Scottish Mainland, carriage price on application.

NON MAINLAND

For delivery to Northern Ireland, The Republic of Ireland
and all offshore Islands, carriage Price on application.

EXPORT

Price on application.

Tel: +44 (0)1691 663300

Email: info@guttercrest.co.uk

VAT will be charged at the appropriate rate.

