

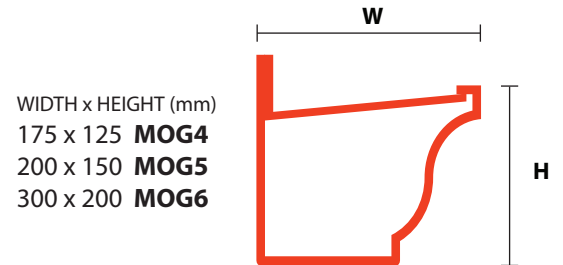
COMPLIES TO BS9101:2017

## ALUMINIUM MOULDED OGEE GUTTERS (Large)

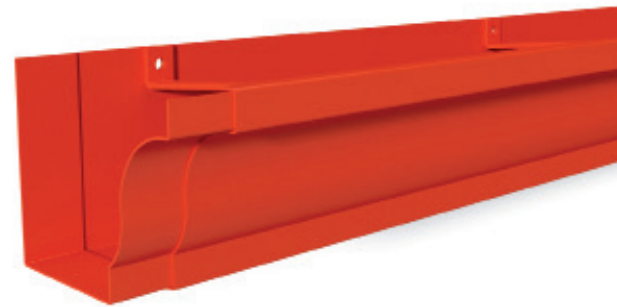
THESE PRICES ARE FOR OUR STANDARD PROFILE DIMENSIONS AS SHOWN IN TECHNICAL CATALOGUE

### STANDARD GUTTER LENGTHS

Gutter (mm)	175 x 125	200 x 150	300 x 200
<b>3.0mtr</b>	<b>MOG4/1</b>	<b>MOG5/1</b>	<b>MOG6/1</b>
MILL	70.37	78.72	103.32
PPC	78.75	88.43	117.13
<b>1.5mtr</b>	<b>MOG4/2</b>	<b>MOG5/2</b>	<b>MOG6/2</b>
MILL	44.68	49.52	67.39
PPC	49.14	54.69	74.73



WIDTH x HEIGHT (mm)  
 175 x 125 **MOG4**  
 200 x 150 **MOG5**  
 300 x 200 **MOG6**



Standard 1.5m and 3m Lengths

### STOP END

Gutter (mm)	175 x 125	200 x 150	300 x 200
<b>Stop End R/H</b>	<b>MOG4/10</b>	<b>MOG5/10</b>	<b>MOG6/10</b>
MILL	9.69	10.58	13.44
PPC	10.04	10.93	13.88
<b>Stop End L/H</b>	<b>MOG4/11</b>	<b>MOG5/11</b>	<b>MOG6/11</b>
MILL	9.69	10.58	13.44
PPC	10.04	10.93	13.88



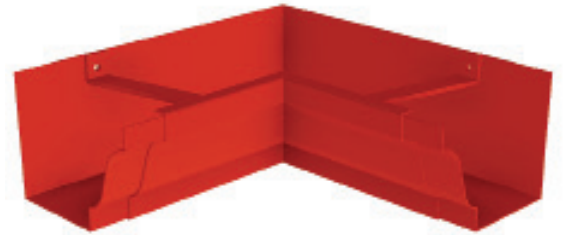
Internal Stop End

COMPLIES TO BS9101:2017

## ALUMINIUM MOULDED OGEE GUTTERS (Large)

### GUTTER ANGLES

Gutter (mm)	175 x 125	200 x 150	300 x 200
<b>90° External</b>	MOG4/3	MOG5/3	MOG6/3
MILL	38.76	47.17	62.18
PPC	40.43	49.18	65.50
<b>90° Internal</b>	MOG4/4	MOG5/4	MOG6/4
MILL	38.76	47.17	61.88
PPC	40.43	49.18	65.20
<b>135° External</b>	MOG4/5	MOG5/5	MOG6/5
MILL	37.66	45.34	61.23
PPC	39.01	46.97	63.74
<b>135° Internal</b>	MOG4/6	MOG5/6	MOG6/6
MILL	37.66	45.34	61.23
PPC	39.01	46.97	63.74
<b>Irregular External</b>	MOG4/7	MOG5/7	MOG6/7
MILL	64.99	76.30	105.26
PPC	67.38	79.31	110.92
<b>Irregular Internal</b>	MOG4/8	MOG5/8	MOG6/8
MILL	64.99	76.30	105.26
PPC	67.38	79.31	110.92



**90 Degree Internal  
Angle Shown**

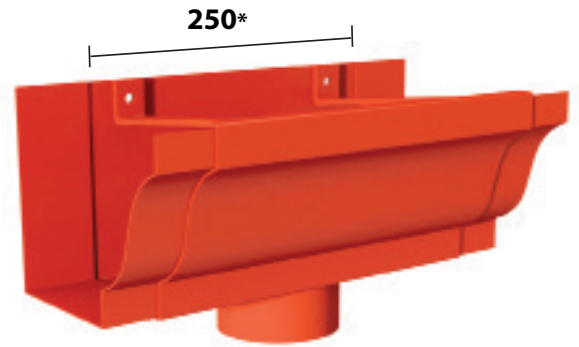
**WHEN ORDERING AN IRREGULAR  
ANGLE, STATE REF NO. AND ACTUAL  
FASCIA ANGLE.**

COMPLIES TO BS9101:2017

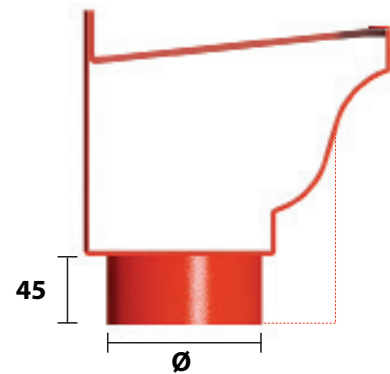
## ALUMINIUM MOULDED OGEE GUTTERS (Large)

### RUNNING OUTLETS ROUND

Gutter (mm)	175 x 125	200 x 150	300 x 200
63mm Ø	MOG4/13	MOG5/13	MOG6/13
MILL	36.48	42.63	52.93
PPC	37.27	43.54	54.23
75mm Ø	MOG4/14	MOG5/14	MOG6/14
MILL	36.88	43.03	53.33
PPC	37.67	43.95	54.63
100mm Ø	MOG4/15	MOG5/15	MOG6/15
MILL	40.17	42.69	52.99
PPC	40.96	43.61	54.30
125mm Ø	MOG4/16	MOG5/16	MOG6/16
MILL	41.44	47.71	53.05
PPC	42.39	48.80	54.61
150mm Ø	MOG4/17	MOG5/17	MOG6/17
MILL	42.71	49.43	55.27
PPC	43.66	50.52	56.83



\* 300 for outlets over 100

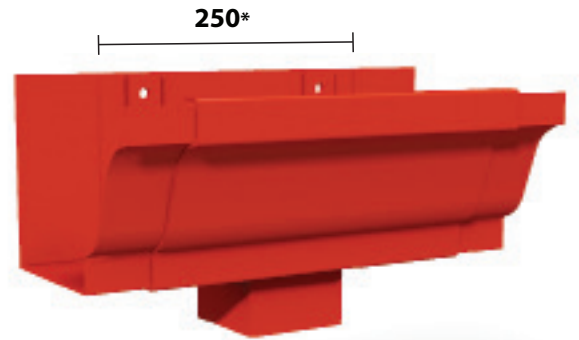


COMPLIES TO BS9101:2017

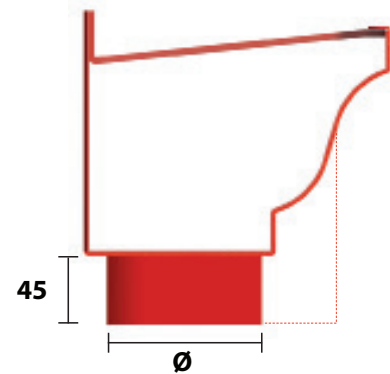
## ALUMINIUM MOULDED OGEE GUTTERS (Large)

### RUNNING OUTLETS SQUARE & RECTANGULAR

Gutter (mm)	175 x 125	200 x 150	300 x 200
75mm x 50mm	MOG4/18	MOG5/18	MOG6/18
MILL	69.28	44.92	55.22
PPC	70.07	45.84	56.52
75mm x 75mm	MOG4/19	MOG5/19	MOG6/19
MILL	39.22	45.37	55.67
PPC	40.02	46.29	56.97
100mm x 75mm	MOG4/20	MOG5/20	MOG6/20
MILL	39.88	46.02	56.32
PPC	40.67	46.94	57.63
100mm x 100mm	MOG4/21	MOG5/21	MOG6/21
MILL	43.06	46.51	56.81
PPC	43.85	47.43	58.11
150mm x 100mm	MOG4/22	MOG5/22	MOG6/22
MILL	43.42	45.11	54.23
PPC	44.37	46.21	55.80
150mm x 150mm	MOG4/23	MOG5/23	MOG6/23
MILL	46.73	50.69	54.98
PPC	47.68	51.79	56.54



\* 300 for outlets over 100 x 100



COMPLIES TO BS9101:2017

## ALUMINIUM MOULDED OGEE GUTTERS (Large)

### ROUND SLEEVE OUTLET

Gutter (mm)	175 x 125	200 x 150	300 x 200
63mm Ø	MOG4/SO13	MOG5/SO13	MOG6/SO13
MILL	<b>4.50</b>	<b>4.50</b>	<b>4.50</b>
PPC	<b>4.50</b>	<b>4.50</b>	<b>4.50</b>
75mm Ø	MOG4/SO14	MOG5/SO14	MOG6/SO14
MILL	<b>4.50</b>	<b>4.50</b>	<b>4.50</b>
PPC	<b>4.50</b>	<b>4.50</b>	<b>4.50</b>
100mm Ø	MOG4/SO15	MOG5/SO15	MOG6/SO15
MILL	<b>4.50</b>	<b>4.50</b>	<b>4.50</b>
PPC	<b>4.50</b>	<b>4.50</b>	<b>4.50</b>
125mm Ø	-	MOG5/SO16	MOG6/SO16
MILL	-	<b>9.00</b>	<b>9.00</b>
PPC	-	<b>9.00</b>	<b>9.00</b>
150mm Ø	-	-	MOG6/SO17
MILL	-	-	<b>9.00</b>
PPC	-	-	<b>9.00</b>

### SQUARE SLEEVE OUTLET

Gutter (mm)	175 x 125	200 x 150	300 x 200
75mm x 50mm	MOG4/SO18	MOG5/SO18	MOG6/SO18
MILL	<b>4.50</b>	<b>4.50</b>	<b>4.50</b>
PPC	<b>4.50</b>	<b>4.50</b>	<b>4.50</b>
75mm x 75mm	MOG4/SO19	MOG5/SO19	MOG6/SO19
MILL	<b>4.50</b>	<b>4.50</b>	<b>4.50</b>
PPC	<b>4.50</b>	<b>4.50</b>	<b>4.50</b>
100mm x 75mm	MOG4/SO20	MOG5/SO20	MOG6/SO20
MILL	<b>4.50</b>	<b>4.50</b>	<b>4.50</b>
PPC	<b>4.50</b>	<b>4.50</b>	<b>4.50</b>
100mm x 100mm	MOG4/SO21	MOG5/SO21	MOG6/SO21
MILL	<b>4.50</b>	<b>4.50</b>	<b>4.50</b>
PPC	<b>4.50</b>	<b>4.50</b>	<b>4.50</b>



Sleeve Outlet

**SLEEVE OUTLETS CAN BE USED IN PLACE OF RUNNING OUTLETS GIVING INCREASED FLEXIBILITY & COST EFFICIENCY.**



Sleeve Outlet

## FIXINGS & SEALANTS

Code	Qty.	Description	Price
GM1	25	38mm x 5.5 (No 14 x 1.5") Gutter Fixing	3.15
GM2	100	38mm x 5.5 (No 14 x 1.5") Gutter Fixing	8.62
GM3	200	38mm x 5.5 (No 14 x 1.5") Gutter Fixing	16.05
GM4	25	16mm x No 10 A2 SS Pozi Pan Head Fixing	1.98
GM5	100	16mm x No 10 A2 SS Pozi Pan Head Fixing	4.10

Code	Qty.	Description	Price
GM10	25	4.8mm x 16mm Aluminium Sealed Rivet	1.87
GM11	100	4.8mm x 16mm Aluminium Sealed Rivet	4.58
GM12	200	4.8mm x 16mm Aluminium Sealed Rivet	6.13

Code	Qty.	Description	Price
GM20	25	6 x 30 A2 (Hammer Set) Downpipe Fixing	6.44
GM21	100	6 x 30 A2 (Hammer Set) Downpipe Fixing	22.16

Code	Qty.	Description	Price
GM30	1	380ml Cartridge Silicone Sealant - Grey	4.67
GM32	1	12mtr Reel Butyl Tape 12mm x 3mm	3.30
GM34	1	1 Litre Sealant Cleaner	8.19
GM40	1	0.5 Ltr Touch Up Paint - Colour To Match Order	18.79
GM50	1	Drill Bit 4.8mm	1.54

Code	Qty.	Description	Price
GM55	25	Coping Fixings 8 x 60 A2 (Hammer Set)	9.50
GM56	100	Coping Fixings 8 x 60 A2 (Hammer Set)	33.25

Code	Qty.	Description	Price
GM100	1	Leafguard 200 Wide - 50mtr Roll	150
GM101	1	Leafguard 150 Wide - 50mtr Roll	97.50
GM102	1	Leafguard 125 Wide - 50mtr Roll	97.50

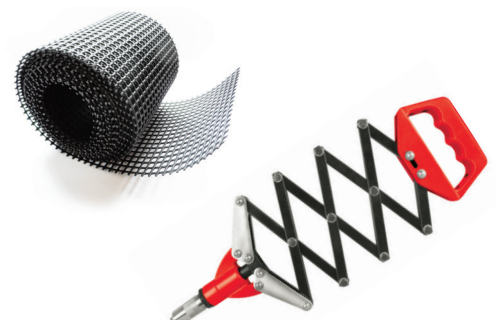
Code	Qty.	Description	Price
GM67	1	Lazy Tong Riveting Tool	46.07



GM30



GM32



## CARRIAGE CHARGES

PLEASE VISIT OUR WEBSITE TO SEE OUR  
CURRENT CARRIAGE CHARGES

<https://www.guttercrest.co.uk/delivery/>



These are standard UK delivery charges. For delivery to Scottish Highlands, Northern Ireland, the Republic of Ireland and offshore islands, please call us for a quote +44 (0)1691 663300



## Guttercrest Limited

Victoria Road, Oswestry, Shropshire SY11 2HX

**T +44 (0) 1691 663300 F 01691 663311**

**info@guttercrest.co.uk www.guttercrest.co.uk**

Due to our ongoing product development policy we reserve the right to alter specifications without prior notice.

E+OE Prices may be subject to change with prior notice.

