

GUTTERCREST

ALUMINIUM

ROUND DOWNPIPES



200mm
8"

150mm
6"

125mm
5"

100mm
4"

75mm
3"

63mm
2½"

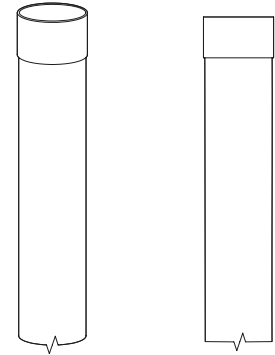
PRICE LIST

PRICE LIST

ROUND DOWNPIPE SYSTEM

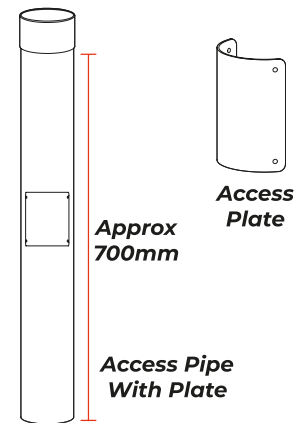
DOWNPIPE LENGTHS

| Pipe (mm) | 63 Ø | 75 Ø | 100 Ø | 125 Ø | 150 Ø | 200 Ø |
|-----------|-------|-------|-------|-------|--------|--------|
| 3.0mtr | RW1/1 | RW2/1 | RW3/1 | RW4/1 | RW5/1 | RW8/1 |
| MILL | 29.99 | 35.65 | 47.32 | 80.90 | 97.27 | 179.13 |
| PPC | 36.48 | 43.43 | 57.70 | 93.67 | 112.84 | 199.62 |
| 1.5mtr | RW1/4 | RW2/4 | RW3/4 | RW4/4 | RW5/4 | RW8/4 |
| MILL | 18.25 | 21.07 | 27.87 | 48.00 | 56.20 | 117.07 |
| PPC | 21.49 | 24.96 | 33.06 | 54.39 | 63.98 | 127.32 |



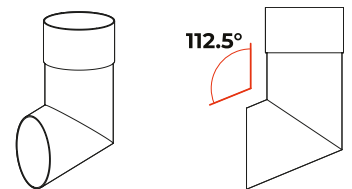
ACCESS PIPES & PLATES

| Pipe (mm) | 63 Ø | 75 Ø | 100 Ø | 125 Ø | 150 Ø | 200 Ø |
|-----------------|-------|-------|-------|-------|-------|--------|
| Pipe With Plate | RW1/8 | RW2/8 | RW3/8 | RW4/8 | RW5/8 | RW8/8 |
| MILL | 20.62 | 27.26 | 31.15 | 40.27 | 45.34 | 137.43 |
| PPC | 22.24 | 29.21 | 33.74 | 43.46 | 49.23 | 142.55 |
| Plate Only | RW1/9 | RW2/9 | RW3/9 | RW4/9 | RW5/9 | RW8/9 |
| MILL | 7.25 | 7.29 | 7.87 | 8.88 | 10.10 | 11.14 |
| PPC | 7.80 | 7.84 | 8.42 | 9.43 | 10.65 | 11.69 |



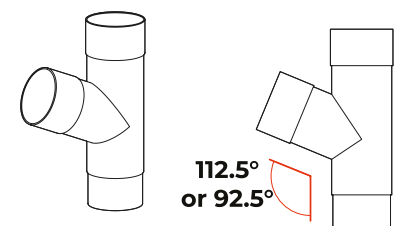
SHOES

| Pipe (mm) | 63 Ø | 75 Ø | 100 Ø | 125 Ø | 150 Ø | 200 Ø |
|-----------|--------|--------|--------|--------|--------|--------|
| Shoe | RW1/10 | RW2/10 | RW3/10 | RW4/10 | RW5/10 | RW8/10 |
| MILL | 15.16 | 17.16 | 22.23 | 32.84 | 39.04 | 93.45 |
| PPC | 15.71 | 17.71 | 23.08 | 33.92 | 40.52 | 94.93 |



UNIVERSAL BRANCHES

| Pipe (mm) | 63 Ø | 75 Ø | 100 Ø | 125 Ø | 150 Ø | 200 Ø |
|-----------|--------|--------|--------|--------|--------|--------|
| Branch | RW1/11 | RW2/11 | RW3/11 | RW4/11 | RW5/11 | RW8/11 |
| MILL | 31.60 | 34.56 | 49.71 | 56.66 | 76.99 | 178.84 |
| PPC | 32.39 | 35.51 | 51.16 | 58.91 | 83.29 | 182.26 |



NOTE: NORMALLY USED WITH A BEND

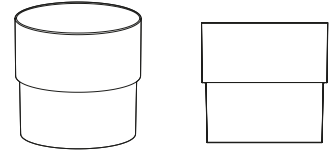
112.5° branch shown

PRICE LIST

ROUND DOWNPIPE SYSTEM

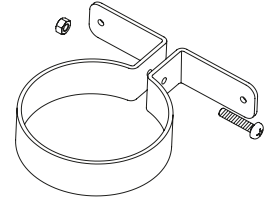
CONNECTORS

| Pipe (mm) | 63 Ø | 75 Ø | 100 Ø | 125 Ø | 150 Ø | 200 Ø |
|-----------|--------|--------|--------|--------|--------|--------|
| Connector | RW1/12 | RW2/12 | RW3/12 | RW4/12 | RW5/12 | RW8/12 |
| MILL | 8.99 | 8.99 | 8.99 | 11.09 | 14.49 | 41.00 |
| PPC | 9.54 | 9.54 | 9.54 | 11.64 | 15.22 | 42.70 |



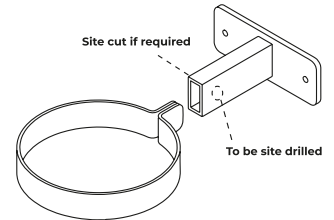
PIPE CLIPS

| Pipe (mm) | 63 Ø | 75 Ø | 100 Ø | 125 Ø | 150 Ø | 200 Ø |
|--------------------|--------|--------|--------|--------|--------|--------|
| Standard Pipe Clip | RW1/16 | RW2/16 | RW3/16 | RW4/16 | RW5/16 | RW8/16 |
| MILL | 4.18 | 4.37 | 4.65 | 7.84 | 8.64 | 14.47 |
| PPC | 4.73 | 4.92 | 5.20 | 8.39 | 9.19 | 15.02 |



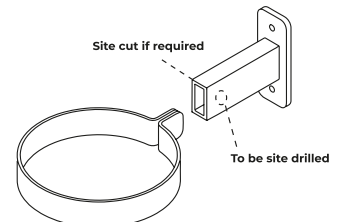
Standard Pipe Clip

| Pipe (mm) | 63 Ø | 75 Ø | 100 Ø | 125 Ø | 150 Ø | 200 Ø |
|---------------|--------|--------|--------|--------|--------|--------|
| Tee Bkt 100mm | RW1/17 | RW2/17 | RW3/17 | RW4/17 | RW5/17 | RW8/17 |
| MILL | 9.97 | 10.11 | 10.36 | 12.04 | 12.39 | 21.87 |
| PPC | 10.52 | 10.66 | 10.91 | 12.59 | 12.94 | 22.42 |
| Tee Bkt 200mm | RW1/18 | RW2/18 | RW3/18 | RW4/18 | RW5/18 | RW8/18 |
| MILL | 10.79 | 10.94 | 11.19 | 12.87 | 13.22 | 22.69 |
| PPC | 11.34 | 11.49 | 11.74 | 13.42 | 13.77 | 23.24 |
| Tee Bkt 300mm | RW1/19 | RW2/19 | RW3/19 | RW4/19 | RW5/19 | RW8/19 |
| MILL | 11.71 | 11.86 | 12.10 | 13.78 | 14.14 | 23.61 |
| PPC | 12.26 | 12.41 | 12.65 | 14.33 | 14.69 | 24.16 |



Tee bracket

| Pipe (mm) | 63 Ø | 75 Ø | 100 Ø | 125 Ø | 150 Ø | 200 Ø |
|-------------------|---------|---------|---------|---------|---------|---------|
| Mullion Bkt 100mm | RW1/171 | RW2/171 | RW3/171 | RW4/171 | RW5/171 | RW8/171 |
| MILL | 9.97 | 10.11 | 10.36 | 11.43 | 11.78 | 21.87 |
| PPC | 10.52 | 10.66 | 10.91 | 11.98 | 12.33 | 22.42 |
| Mullion Bkt 200mm | RW1/181 | RW2/181 | RW3/181 | RW4/181 | RW5/181 | RW8/181 |
| MILL | 10.79 | 10.94 | 11.19 | 12.87 | 12.61 | 22.69 |
| PPC | 11.34 | 11.49 | 11.74 | 13.42 | 13.16 | 23.24 |
| Mullion Bkt 300mm | RW1/191 | RW2/191 | RW3/191 | RW4/191 | RW5/191 | RW8/191 |
| MILL | 11.71 | 11.86 | 12.10 | 13.78 | 14.14 | 23.61 |
| PPC | 12.26 | 12.41 | 12.65 | 14.33 | 14.69 | 24.16 |



Mullion bracket

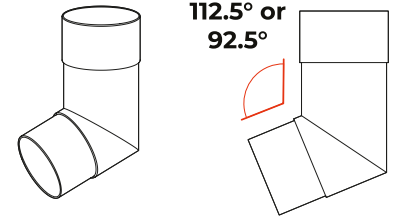
PRICE LIST

ROUND DOWNPIPE SYSTEM

BENDS

| Pipe (mm) | 63 Ø | 75 Ø | 100 Ø | 125 Ø | 150 Ø | 200 Ø |
|-----------|--------|--------|--------|--------|--------|--------|
| Bend | RW1/21 | RW2/21 | RW3/21 | RW4/21 | RW5/21 | RW8/21 |
| MILL | 14.39 | 16.39 | 21.90 | 29.42 | 30.60 | 119.10 |
| PPC | 14.94 | 17.02 | 22.79 | 30.59 | 32.12 | 121.09 |

NOTE: NORMALLY USED WITH A BRANCH

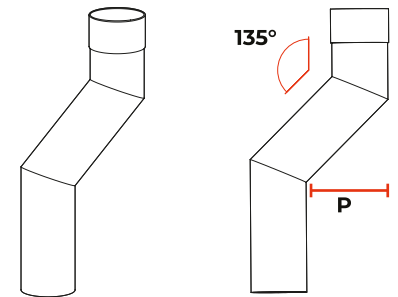


112.5° bend shown

PLINTH OFFSETS

| Pipe (mm) | 63 Ø | 75 Ø | 100 Ø | 125 Ø | 150 Ø | 200 Ø |
|--------------------|--------|--------|--------|--------|--------|--------|
| Offset Up To 150mm | RW1/23 | RW2/23 | RW3/23 | RW4/23 | RW5/23 | RW8/23 |
| MILL | 46.08 | 50.18 | 58.58 | 75.16 | 85.17 | 162.77 |
| PPC | 47.30 | 51.66 | 60.58 | 77.67 | 88.28 | 166.86 |

NOTE: PLEASE STATE PROJECTION (P) SIZE



PRICE LIST

ROUND DOWNPIPE SYSTEM

SWAN NECKS

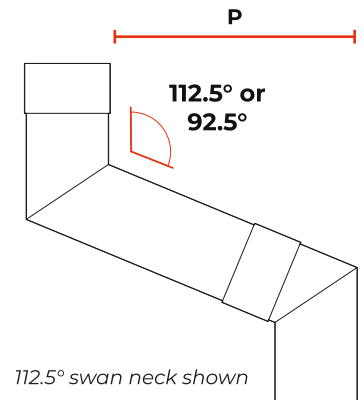
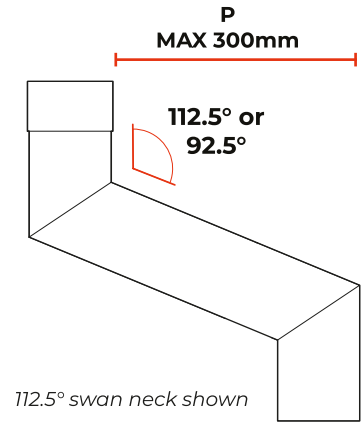
SWAN NECK 1 PIECE

| Pipe (mm) | 63 Ø | 75 Ø | 100 Ø | 125 Ø | 150 Ø | 200 Ø |
|-----------------|--------|--------|--------|--------|--------|--------|
| One Piece 300mm | RW1/25 | RW2/25 | RW3/25 | RW4/25 | RW5/25 | RW8/25 |
| MILL | 48.79 | 52.94 | 61.51 | 79.19 | 91.09 | 147.64 |
| PPC | 50.07 | 54.50 | 63.65 | 81.89 | 94.47 | 152.07 |

NOTE: PLEASE STATE PROJECTION (P) SIZE

SWAN NECK 2 PIECE

| Pipe (mm) | 63 Ø | 75 Ø | 100 Ø | 125 Ø | 150 Ø | 200 Ø |
|------------------|--------|--------|--------|--------|--------|--------|
| Two Piece 300mm | RW1/26 | RW2/26 | RW3/26 | RW4/26 | RW5/26 | RW8/26 |
| MILL | 30.90 | 34.05 | 45.47 | 63.41 | 76.90 | 181.03 |
| PPC | 32.31 | 35.76 | 47.85 | 66.41 | 80.70 | 186.02 |
| Two Piece 450mm | RW1/27 | RW2/27 | RW3/27 | RW4/27 | RW5/27 | RW8/27 |
| MILL | 32.24 | 35.69 | 46.34 | 69.85 | 84.19 | 193.49 |
| PPC | 34.00 | 37.82 | 49.27 | 73.53 | 88.82 | 199.57 |
| Two Piece 600mm | RW1/28 | RW2/28 | RW3/28 | RW4/28 | RW5/28 | RW8/28 |
| MILL | 33.63 | 37.36 | 48.54 | 73.88 | 89.13 | 201.15 |
| PPC | 35.74 | 39.92 | 52.04 | 78.26 | 94.62 | 208.35 |
| Two Piece 900mm | RW1/29 | RW2/29 | RW3/29 | RW4/29 | RW5/29 | RW8/29 |
| MILL | 43.10 | 48.86 | 52.86 | 81.83 | 98.85 | 216.23 |
| PPC | 45.92 | 52.26 | 57.49 | 87.59 | 106.03 | 225.65 |
| Two Piece 1200mm | RW1/30 | RW2/30 | RW3/30 | RW4/30 | RW5/30 | RW8/30 |
| MILL | 45.92 | 52.32 | 57.32 | 90.02 | 108.87 | 231.77 |
| PPC | 49.46 | 56.64 | 63.11 | 97.21 | 117.78 | 243.46 |



PRICE LIST

FIXINGS & SEALANTS

| Code | Qty | Description | Price |
|------|-----|---|-------|
| GM1 | 25 | Gutter Fixing 38 x 5.5 A2 Stainless Steel | 4.56 |
| GM2 | 100 | Gutter Fixing 38 x 5.5 A2 Stainless Steel | 13.86 |
| GM3 | 200 | Gutter Fixing 38 x 5.5 A2 Stainless Steel | 26.90 |



GM1 - GM5

| Code | Qty | Description | Price |
|-------|-----|---------------------------------------|-------|
| GM201 | 25 | 4.8 x 14.7 All Aluminium sealed Rivet | 3.38 |
| GM202 | 100 | 4.8 x 14.7 All Aluminium sealed Rivet | 12.46 |
| GM203 | 200 | 4.8 x 14.7 All Aluminium sealed Rivet | 23.38 |



GM201 - GM203

| Code | Qty | Description | Price |
|-------|-----|----------------------------------|-------|
| GM610 | 25 | 6.3mm STRUCTURAL Aluminium Rivet | 10.97 |
| GM620 | 100 | 6.3mm STRUCTURAL Aluminium Rivet | 39.11 |
| GM630 | 200 | 6.3mm STRUCTURAL Aluminium Rivet | 78.21 |



GM610 - GM620

| Code | Qty | Description | Price |
|------|-----|---|-------|
| GM20 | 25 | Downpipe Fixing 6 x 50 A2 Stainless Steel | 9.81 |
| GM21 | 100 | Downpipe Fixing 6 x 50 A2 Stainless Steel | 32.84 |



GM20 - GM21

| Code | Qty | Description | Price |
|------|-----|---|-------|
| GM30 | 1 | 380ml Cartridge Silicone Sealant - Grey | 11.00 |
| GM32 | 1 | 1no 12mtr Reel Butyl Tape 12mm x 3mm | 6.56 |
| GM40 | 1 | Touch Up Paint - Colour to match order | 23.98 |
| GM50 | 1 | 1no Drill Bit 4.8mm | 2.06 |
| GM51 | 1 | 1no Drill Bit 6.4mm | 2.74 |



GM30



GM32



GM50 - GM60

| Code | Qty | Description | Price |
|-------|-----|---|--------|
| GM910 | 1 | Standard Rainwater Rivet Gun | 20.13 |
| GM920 | 1 | Professional Rivet Gun - Interchangeable collets for rain-water and structural rivets | 115.19 |



GM910



GM920

PRICE LIST

CARRIAGE CHARGES

GUTTERS, DOWNPIPES & HOPPERS

| TOTAL NET ORDER VALUE (EXCLUDING VAT) | | PRICE |
|---------------------------------------|------------------------|----------------|
| £0 - £99 | BOXED UP TO 10KG | £15 Min Charge |
| £0 - £99 | 3M LENGTHS UP TO 10KGS | £30 |
| £100 - £624 | | £40 |
| £625 - £1249 | | £55 |
| £1250 PLUS | | FREE DELIVERY |

Delivery Exclusions Apply:
Please see the Charges
section below

COPING, FASCIAS & SOFFITS

| TOTAL NET ORDER VALUE (EXCLUDING VAT) | PRICE |
|---------------------------------------|---------------|
| £0 - £150 | £40 |
| £151 - £1249 | £95 |
| £1250 PLUS | FREE DELIVERY |

Delivery Exclusions Apply:
Please see the Charges
section below

CHARGES

With a fleet of Guttercrest vehicles and outside couriers, we deliver all our aluminium products to your local builders merchant or direct to site.

SCOTTISH MAINLAND

Standard carriage charges apply on
Postcode areas: DG, EH, G, KA, KY, TD

ALSO TO INCLUDE: DD1 - DD7, FK1 - FK7, FK9 - FK15,
FK8 STERLING ONLY (Rest of FK8 will be price on application),
KY1 - KY16, PA1 - PA19, PH1 - PH4, PH12 - PH14

All other Scottish Mainland, carriage price on application.

NON MAINLAND

For delivery to Northern Ireland, The Republic of Ireland
and all offshore Islands, carriage Price on application.

EXPORT

Price on application.

Tel: +44 (0)1691 663300

Email: info@guttercrest.co.uk

VAT will be charged at the appropriate rate.

