

GUTTERCREST

Plain Round Downpipes

Extruded Round Aluminium Downpipes with neat plain collars and pipe clips



63mm
2½"

75mm
3"

100mm
4"

125mm
5"

150mm
6"

200mm
8"

IF YOU DON'T SEE WHAT YOU WANT **PLEASE ASK** CALL 01691 663300

info@guttercrest.co.uk

25.07.03

ALUMINIUM ROUND DOWNPIPE SYSTEM

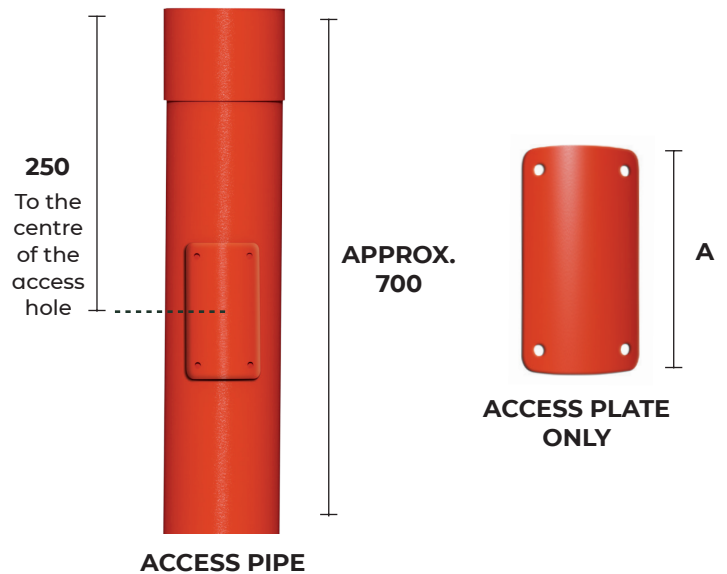
DOWNPIPE LENGTHS

PIPE (mm)	3m	1.5m	WALL THICKNESS	A (mm)
63	RW1/1	RW1/4	1.6	50
75	RW2/1	RW2/4	1.6	50
100	RW3/1	RW3/4	1.6	60
125	RW4/1	RW4/4	2	70
150	RW5/1	RW5/4	2.5	80
200	RW8/1	RW8/4	3	120



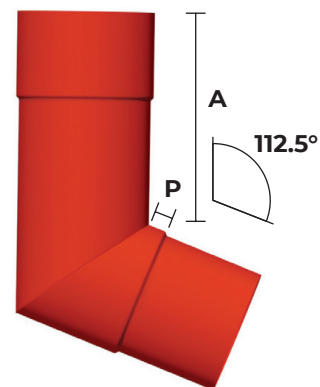
ACCESS PIPES & PLATES

PIPE (mm)	ACCESS PIPE COMPLETE WITH PLATE	ACCESS PLATE ONLY	A (mm)
63	RW1/8	RW1/9	100
75	RW2/8	RW2/9	100
100	RW3/8	RW3/9	130
125	RW4/8	RW4/9	165
150	RW5/8	RW5/9	200
200	RW8/8	RW8/9	200



UNIVERSAL BENDS

PIPE (mm)	BEND 112.5°	BEND 92.5°	A (mm)	P (mm)
63	RW1/21	RW1/61	125	10
75	RW2/21	RW2/61	125	10
100	RW3/21	RW3/61	125	10
125	RW4/21	RW4/61	125	10
150	RW5/21	RW5/61	125	10
200	RW8/21	RW8/61	195	200*



Note: Usually to be used with a branch

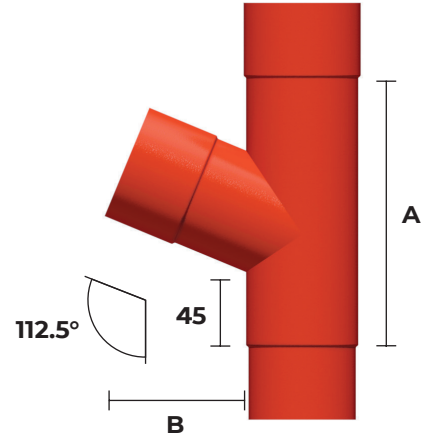
*200mm diameter only, length is to the end as there is no internal spigot

ALUMINIUM ROUND DOWNPIPE SYSTEM

UNIVERSAL BRANCHES

PIPE (mm)	BRANCH 112.5°	BRANCH 92.5°	A (mm)	B (mm)
63	RW1/11	RW1/51	180	115
75	RW2/11	RW2/51	190	120
100	RW3/11	RW3/51	210	140
125	RW4/11	RW4/51	235	155
150	RW5/11	RW5/51	275	175
200	RW8/11	RW8/51	550*	200

Note: *200mm diameter only, length is to the bottom as there is no internal spigot



CONNECTORS

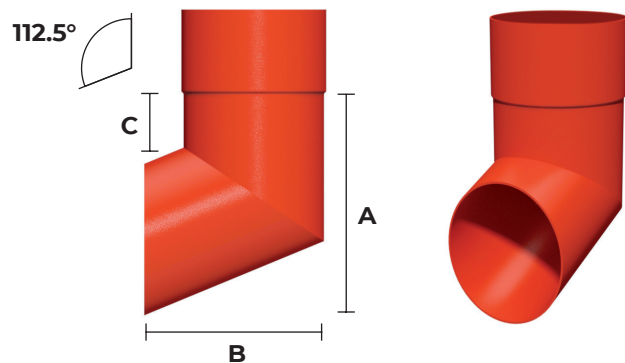
PIPE (mm)	CONNECTOR	A (mm)	B (mm)
63	RW1/12	50	50
75	RW2/12	50	50
100	RW3/12	60	50
125	RW4/12	70	60
150	RW5/12	80	60
200	RW8/11	120	80

Note: Ground adaptors available



SHOES

PIPE (mm)	SHOE	A (mm)	B (mm)	C (mm)
63	RW1/10	125	95	40
75	RW2/10	135	105	40
100	RW3/10	165	130	40
125	RW4/10	195	155	50
150	RW5/10	230	180	50
200	RW8/10	305	230	75

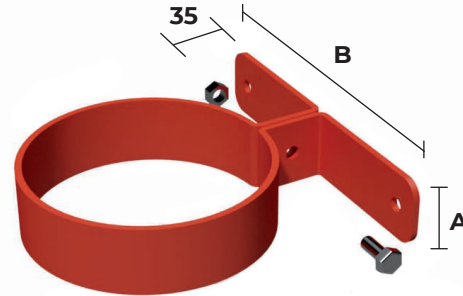


ALUMINIUM ROUND DOWNPIPE SYSTEM

PIPE CLIPS

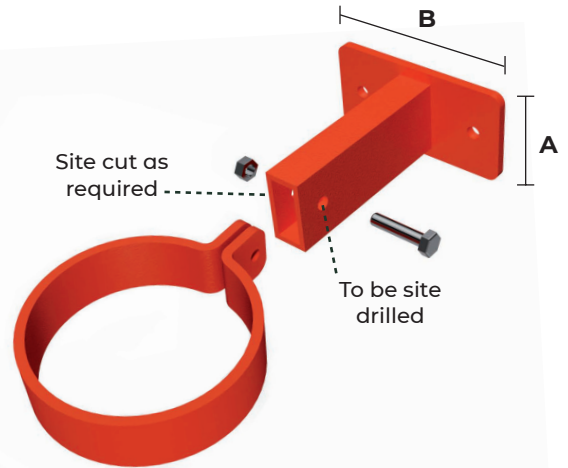
PIPE (mm)	STANDARD PIPE CLIP	A (mm)	B (mm)
63	RW1/16	30	110
75	RW2/16	30	115
100	RW3/16	30	145
125	RW4/16	30	190
150	RW5/16	30	190
200	RW8/16	50	250

Note: These pipe clips give a 35mm stand off from back of pipe to wall



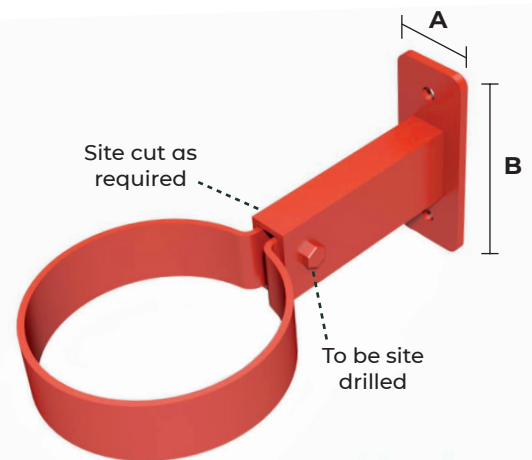
STANDARD PIPE CLIP

PIPE (mm)	TEE BKT 100mm MAX	TEE BKT 200mm MAX	TEE BKT 300mm MAX	A (mm)	B (mm)
63	RW1/17	RW1/18	RW1/19	52	100
75	RW2/17	RW2/18	RW2/19	52	100
100	RW3/17	RW3/18	RW3/19	52	100
125	RW4/17	RW4/18	RW4/19	52	140
150	RW5/17	RW5/18	RW5/19	52	140
200	RW8/17	RW8/18	RW8/19	ON APPLICATION	



STANDARD TEE BRACKET

PIPE (mm)	MULLION BKT 100mm MAX	MULLION BKT 200mm MAX	MULLION BKT 300mm MAX	A (mm)	B (mm)
63	RW1/171	RW1/181	RW1/191	38	100
75	RW2/171	RW2/181	RW2/191	38	100
100	RW3/171	RW3/181	RW3/191	38	100
125	RW4/171	RW4/181	RW4/191	52	140
150	RW5/171	RW5/181	RW5/191	52	140
200	RW8/171	RW8/181	RW8/191	ON APPLICATION	



MULLION TEE BRACKET

ALUMINIUM ROUND DOWNPIPE SYSTEM

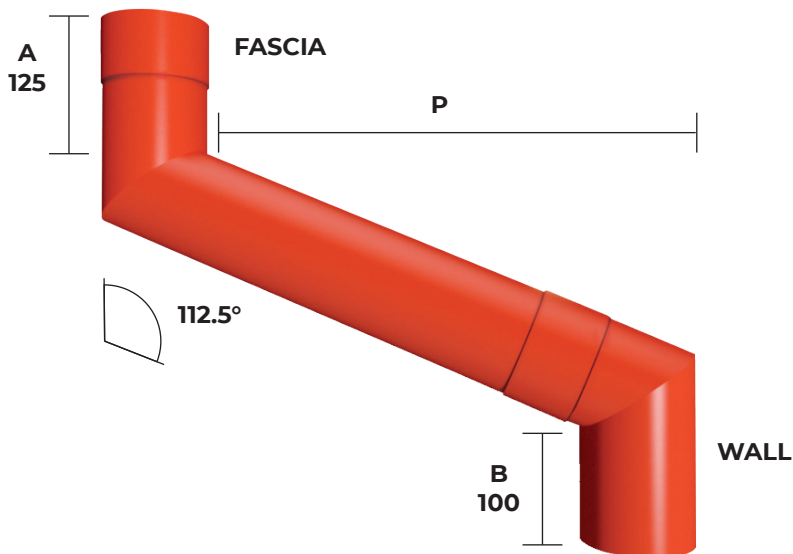
SWAN NECKS

112.5° ANGLE

PIPE (mm)	ONE PIECE STATE SIZE	TWO PIECE MAXIMUM PROJECTION OF SWAN NECKS					OTHER	MINIMUM PROJECTION P
		300	450	600	900	1200		
63	RW1/25	RW1/26	RW1/27	RW1/28	RW1/29	RW1/30	PLEASE SPECIFY A, B & P PROJECTION ANGLE RW?/31	100
75	RW2/25	RW2/26	RW2/27	RW2/28	RW2/29	RW2/30		110
100	RW3/25	RW3/26	RW3/27	RW3/28	RW3/29	RW3/30		140
125	RW4/25	RW4/26	RW4/27	RW4/28	RW4/29	RW4/30		175
150	RW5/25	RW5/26	RW5/27	RW5/28	RW5/29	RW5/30		210
200	RW8/25	N/A	RW8/27	RW8/28	RW8/29	RW8/30		400

92.5° ANGLE

PIPE (mm)	ONE PIECE STATE SIZE	TWO PIECE MAXIMUM PROJECTION OF SWAN NECKS					OTHER	MINIMUM PROJECTION P
		300	450	600	900	1200		
63	RW1/65	RW1/66	RW1/67	RW1/68	RW1/69	RW1/70	PLEASE SPECIFY A, B & P PROJECTION ANGLE RW?/71	125
75	RW2/65	RW2/66	RW2/67	RW2/68	RW2/69	RW2/70		135
100	RW3/65	RW3/66	RW3/67	RW3/68	RW3/69	RW3/70		170
125	RW4/65	RW4/66	RW4/67	RW4/68	RW4/69	RW4/70		190
150	RW5/65	RW5/66	RW5/67	RW5/68	RW5/69	RW5/70		240
200	RW8/65	N/A	RW8/67	RW8/68	RW8/69	RW8/70		400



ALUMINIUM ROUND DOWNPIPE SYSTEM

PLINTH OFFSETS

PIPE (mm)	OFFSET	A (mm)	B (mm)	P (mm)
63	RW1/23	140	200	PLEASE STATE SIZE REQUIRED
75	RW2/23	145	200	
100	RW3/23	165	200	
125	RW4/23	185	200	
150	RW5/23	205	200	
200	RW8/23	335	200	

