

GUTTERCREST

ALUMINIUM

SHAPED BOX GUTTERS



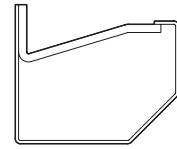
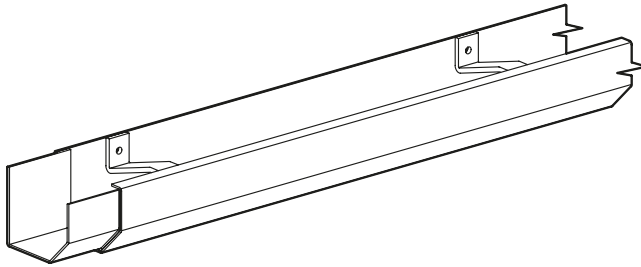
PRICE LIST

PRICE LIST

SHAPED BOX GUTTER SYSTEM

STANDARD GUTTER LENGTHS

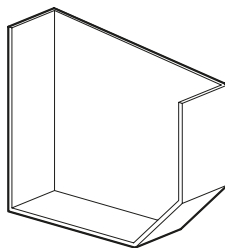
Gutter (mm)	100 x 75	100 x 100	125 x 100	150 x 100	150 x 150	200 x 150	200 x 200	300 x 200
3.0mtr	SBX1/1	SBX2/1	SBX3/1	SBX4/1	SBX5/1	SBX6/1	SBX7/1	SBX8/1
MILL	78.17	87.97	91.29	93.06	110.96	134.75	146.02	191.20
PPC	86.89	98.32	102.58	105.16	126.32	151.80	166.32	215.18
1.5mtr	SBX1/2	SBX2/2	SBX3/2	SBX4/2	SBX5/2	SBX6/2	SBX7/2	SBX8/2
MILL	50.04	54.60	60.49	60.70	70.98	85.25	96.78	123.21
PPC	54.40	59.78	66.14	66.76	78.66	93.78	106.94	135.21



STOP ENDS

Gutter (mm)	100 x 75	100 x 100	125 x 100	150 x 100	150 x 150	200 x 150	200 x 200	300 x 200
Stop End Right Hand	SBX1/10	SBX2/10	SBX3/10	SBX4/10	SBX5/10	SBX6/10	SBX7/10	SBX8/10
MILL	8.17	8.34	8.48	8.57	9.93	11.89	12.52	14.51
PPC	8.72	8.89	9.03	9.12	10.48	12.44	13.13	15.35
Stop End Left Hand	SBX1/11	SBX2/11	SBX3/11	SBX4/11	SBX5/11	SBX6/11	SBX7/11	SBX8/11
MILL	8.17	8.34	8.48	8.57	9.93	11.89	12.52	14.51
PPC	8.72	8.89	9.03	9.12	10.48	12.44	13.13	15.35

NOTE: THESE ARE INTERNAL STOP ENDS



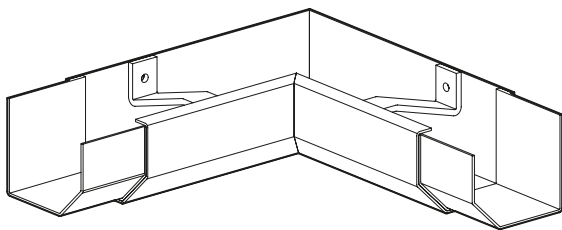
Right Hand shown

PRICE LIST

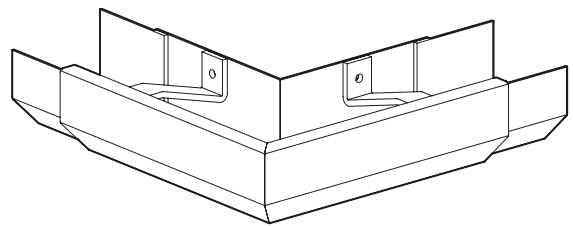
SHAPED BOX GUTTER SYSTEM

ANGLES INTERNAL & EXTERNAL

Gutter (mm)	100 x 75	100 x 100	125 x 100	150 x 100	150 x 150	200 x 150	200 x 200	300 x 200
90° External	SBX1/3	SBX2/3	SBX3/3	SBX4/3	SBX5/3	SBX6/3	SBX7/3	SBX8/3
MILL	47.72	52.48	55.39	59.12	69.23	83.56	95.33	116.13
PPC	49.29	54.33	57.63	61.63	72.41	87.38	99.87	121.90
90° Internal	SBX1/4	SBX2/4	SBX3/4	SBX4/4	SBX5/4	SBX6/4	SBX7/4	SBX8/4
MILL	47.72	52.48	55.39	59.12	69.23	83.56	95.33	116.13
PPC	49.29	54.33	57.63	61.63	72.41	87.38	99.87	121.90
135° External	SBX1/5	SBX2/5	SBX3/5	SBX4/5	SBX5/5	SBX6/5	SBX7/5	SBX8/5
MILL	46.55	50.87	55.22	56.96	66.38	83.11	91.52	111.57
PPC	47.94	52.51	57.22	59.19	69.20	86.25	95.25	116.38
135° Internal	SBX1/6	SBX2/6	SBX3/6	SBX4/6	SBX5/6	SBX6/6	SBX7/6	SBX8/6
MILL	46.55	50.87	55.22	56.96	66.38	83.11	91.52	111.57
PPC	47.94	52.51	57.22	59.19	69.20	86.25	95.25	116.38
Irregular External	SBX1/7	SBX2/7	SBX3/7	SBX4/7	SBX5/7	SBX6/7	SBX7/7	SBX8/7
MILL	78.60	83.29	86.67	91.82	103.79	125.38	129.70	151.63
PPC	80.71	85.78	89.50	95.05	107.89	129.94	135.12	158.32
Irregular Internal	SBX1/8	SBX2/8	SBX3/8	SBX4/8	SBX5/8	SBX6/8	SBX7/8	SBX8/8
MILL	78.60	83.29	86.67	91.82	103.79	125.38	129.70	151.63
PPC	80.71	85.78	89.50	95.05	107.89	129.94	135.12	158.32



Internal Angle



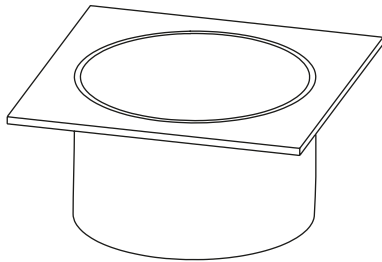
External Angle

PRICE LIST

SHAPED BOX GUTTER SYSTEM

SLEEVE OUTLETS - ROUND

Gutter (mm)	100 x 75	100 x 100	125 x 100	150 x 100	150 x 150	200 x 150	200 x 200	300 x 200
63mm Ø	SBX1/SO13	SBX2/SO13	SBX3/SO13	SBX4/SO13	SBX5/SO13	SBX6/SO13	SBX7/SO13	SBX8/SO13
MILL	-	-	10.91	10.91	10.91	10.91	10.91	10.91
PPC	-	-	11.46	11.46	11.46	11.46	11.46	11.46
75mm Ø	SBX1/SO14	SBX2/SO14	SBX3/SO14	SBX4/SO14	SBX5/SO14	SBX6/SO14	SBX7/SO14	SBX8/SO14
MILL	-	-	-	10.91	10.91	10.91	10.91	10.91
PPC	-	-	-	11.46	11.46	11.46	11.46	11.46
100mm Ø	SBX1/SO15	SBX2/SO15	SBX3/SO15	SBX4/SO15	SBX5/SO15	SBX6/SO15	SBX7/SO15	SBX8/SO15
MILL	-	-	-	-	-	12.69	12.69	12.69
PPC	-	-	-	-	-	13.24	13.24	13.24
125mm Ø	SBX1/SO16	SBX2/SO16	SBX3/SO16	SBX4/SO16	SBX5/SO16	SBX6/SO16	SBX7/SO16	SBX8/SO16
MILL	-	-	-	-	-	12.69	-	12.69
PPC	-	-	-	-	-	13.24	-	13.24
150mm Ø	SBX1/SO17	SBX2/SO17	SBX3/SO17	SBX4/SO17	SBX5/SO17	SBX6/SO17	SBX7/SO17	SBX8/SO17
MILL	-	-	-	-	-	-	-	14.40
PPC	-	-	-	-	-	-	-	14.95



Please Note

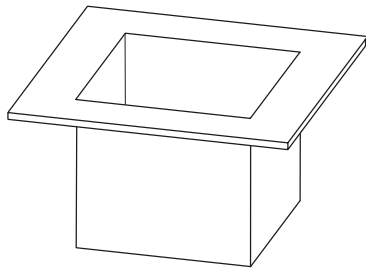
Sleeve Outlets can be used in place of Running Outlets giving increased flexibility and cost efficiency.

PRICE LIST

SHAPED BOX GUTTER SYSTEM

SLEEVE OUTLETS - ROUND

Gutter (mm)	100 x 75	100 x 100	125 x 100	150 x 100	150 x 150	200 x 150	200 x 200	300 x 200
75 x 50mm	SBX1/SO18	SBX2/SO18	SBX3/SO18	SBX4/SO18	SBX5/SO18	SBX6/SO18	SBX7/SO18	SBX8/SO18
MILL	-	-	10.91	10.91	10.91	10.91	10.91	10.91
PPC	-	-	11.46	11.46	11.46	11.46	11.46	11.46
75 x 75mm	SBX1/SO19	SBX2/SO19	SBX3/SO19	SBX4/SO19	SBX5/SO19	SBX6/SO19	SBX7/SO19	SBX8/SO19
MILL	-	-	-	10.91	10.91	10.91	10.91	10.91
PPC	-	-	-	11.46	11.46	11.46	11.46	11.46
100 x 75mm	SBX1/SO20	SBX2/SO20	SBX3/SO20	SBX4/SO20	SBX5/SO20	SBX6/SO20	SBX7/SO20	SBX8/SO20
MILL	-	-	-	10.91	10.91	10.91	10.91	10.91
PPC	-	-	-	11.46	11.46	11.46	11.46	11.46
100 x 100mm	SBX1/SO21	SBX2/SO21	SBX3/SO21	SBX4/SO21	SBX5/SO21	SBX6/SO21	SBX7/SO21	SBX8/SO21
MILL	-	-	-	-	-	12.69	12.69	12.69
PPC	-	-	-	-	-	13.24	13.24	13.24
100 x 100mm	SBX1/SO22	SBX2/SO22	SBX3/SO22	SBX4/SO22	SBX5/SO22	SBX6/SO22	SBX7/SO22	SBX8/SO22
MILL	-	-	-	-	-	-	-	14.40
PPC	-	-	-	-	-	-	-	14.95



Please Note

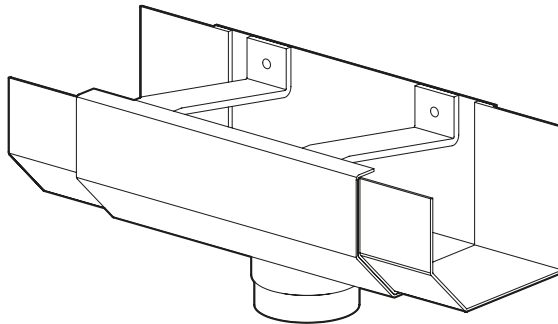
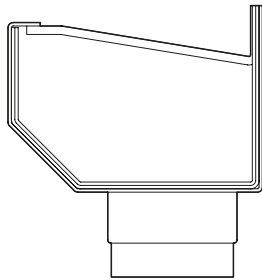
Sleeve Outlets can be used in place of Running Outlets giving increased flexibility and cost efficiency.

PRICE LIST

SHAPED BOX GUTTER SYSTEM

RUNNING OUTLETS - ROUND

Gutter (mm)	100 x 75	100 x 100	125 x 100	150 x 100	150 x 150	200 x 150	200 x 200	300 x 200
63mm Ø	SBX1/13	SBX2/13	SBX3/13	SBX4/13	SBX5/13	SBX6/13	SBX7/13	SBX8/13
MILL	49.86	50.88	52.36	54.77	60.91	72.62	80.52	94.97
PPC	50.94	52.16	53.76	56.27	62.81	74.73	83.04	97.94
75mm Ø	SBX1/14	SBX2/14	SBX3/14	SBX4/14	SBX5/14	SBX6/14	SBX7/14	SBX8/14
MILL	50.92	51.93	53.41	55.82	61.97	73.67	81.57	96.01
PPC	52.00	53.21	54.81	57.32	63.87	75.78	84.09	98.98
100mm Ø	SBX1/15	SBX2/15	SBX3/15	SBX4/15	SBX5/15	SBX6/15	SBX7/15	SBX8/15
MILL	-	-	56.39	58.80	64.95	76.66	84.55	99.00
PPC	-	-	57.79	60.30	66.85	78.77	87.07	101.97
125mm Ø	SBX1/16	SBX2/16	SBX3/16	SBX4/16	SBX5/16	SBX6/16	SBX7/16	SBX8/16
MILL	-	-	-	64.06	70.48	83.90	90.38	105.10
PPC	-	-	-	65.76	72.64	86.30	93.23	108.47
150mm Ø	SBX1/17	SBX2/17	SBX3/17	SBX4/17	SBX5/17	SBX6/17	SBX7/17	SBX8/17
MILL	-	-	-	-	-	86.24	92.73	107.44
PPC	-	-	-	-	-	88.64	95.58	110.81



Please Note

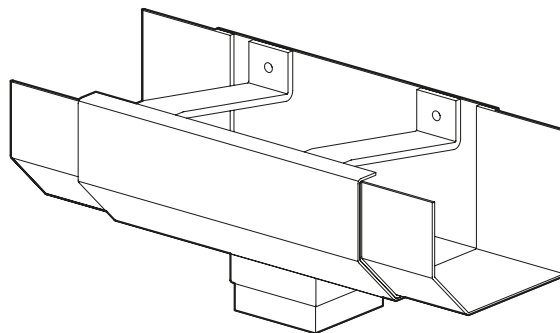
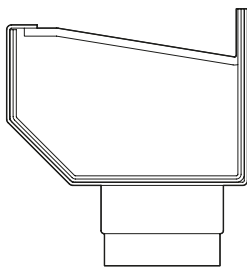
Sleeve Outlets can be used in place of Running Outlets giving increased flexibility and cost efficiency

PRICE LIST

SHAPED BOX GUTTER SYSTEM

RUNNING OUTLETS - SQUARE & RECTANGLE

Gutter (mm)	100 x 75	100 x 100	125 x 100	150 x 100	150 x 150	200 x 150	200 x 200	300 x 200
75 x 50mm	SBX1/18	SBX2/18	SBX3/18	SBX4/18	SBX5/18	SBX6/18	SBX7/18	SBX8/18
MILL	52.26	51.35	52.80	59.17	65.32	77.03	84.92	99.37
PPC	53.38	52.67	54.20	60.67	67.22	79.14	87.44	102.34
75 x 75mm	SBX1/19	SBX2/19	SBX3/19	SBX4/19	SBX5/19	SBX6/19	SBX7/19	SBX8/19
MILL	52.34	53.44	54.07	60.51	66.65	78.36	86.25	100.70
PPC	53.46	54.76	55.47	62.01	68.55	80.47	88.77	103.67
100 x 75mm	SBX1/20	SBX2/20	SBX3/20	SBX4/20	SBX5/20	SBX6/20	SBX7/20	SBX8/20
MILL	52.58	53.68	55.33	59.27	66.36	78.07	85.96	100.41
PPC	53.70	55.00	56.73	60.77	68.26	80.18	88.48	103.38
100 x 100mm	SBX1/21	SBX2/21	SBX3/21	SBX4/21	SBX5/21	SBX6/21	SBX7/21	SBX8/21
MILL	-	-	56.73	64.35	70.49	82.19	90.10	104.54
PPC	-	-	58.13	65.85	72.39	84.30	92.62	107.51
150 x 100mm	SBX1/22	SBX2/22	SBX3/22	SBX4/22	SBX5/22	SBX6/22	SBX7/22	SBX8/22
MILL	-	-	60.40	63.75	71.11	83.58	90.07	105.73
PPC	-	-	61.99	65.45	73.27	85.98	92.92	109.10
150 x 150mm	SBX1/23	SBX2/23	SBX3/23	SBX4/23	SBX5/23	SBX6/23	SBX7/23	SBX8/23
MILL	-	-	-	-	-	87.42	93.91	109.57
PPC	-	-	-	-	-	89.82	96.76	112.94



Please Note

Sleeve Outlets can be used in place of Running Outlets giving increased flexibility and cost efficiency.

PRICE LIST

FIXINGS & SEALANTS

Code	Qty	Description	Price
GM1	25	Gutter Fixing 38 x 5.5 A2 Stainless Steel	4.56
GM2	100	Gutter Fixing 38 x 5.5 A2 Stainless Steel	13.86
GM3	200	Gutter Fixing 38 x 5.5 A2 Stainless Steel	26.90



GM1 - GM5

Code	Qty	Description	Price
GM201	25	4.8 x 14.7 All Aluminium sealed Rivet	3.38
GM202	100	4.8 x 14.7 All Aluminium sealed Rivet	12.46
GM203	200	4.8 x 14.7 All Aluminium sealed Rivet	23.38



GM201 - GM203

Code	Qty	Description	Price
GM610	25	6.3mm STRUCTURAL Aluminium Rivet	10.97
GM620	100	6.3mm STRUCTURAL Aluminium Rivet	39.11
GM630	200	6.3mm STRUCTURAL Aluminium Rivet	78.21



GM610 - GM620

Code	Qty	Description	Price
GM20	25	Downpipe Fixing 6 x 50 A2 Stainless Steel	9.81
GM21	100	Downpipe Fixing 6 x 50 A2 Stainless Steel	32.84



GM20 - GM21

Code	Qty	Description	Price
GM30	1	380ml Cartridge Silicone Sealant - Grey	11.00
GM32	1	1no 12mtr Reel Butyl Tape 12mm x 3mm	6.56
GM40	1	Touch Up Paint - Colour to match order	23.98
GM50	1	1no Drill Bit 4.8mm	2.06
GM51	1	1no Drill Bit 6.4mm	2.74



GM30



GM32



GM50 - GM60

Code	Qty	Description	Price
GM910	1	Standard Rainwater Rivet Gun	20.13
GM920	1	Professional Rivet Gun - Interchangeable collets for rain-water and structural rivets	115.19



GM910



GM920

PRICE LIST

CARRIAGE CHARGES

GUTTERS, DOWNPIPES & HOPPERS

TOTAL NET ORDER VALUE (EXCLUDING VAT)		PRICE
£0 - £99	BOXED UP TO 10KG	£15 Min Charge
£0 - £99	3M LENGTHS UP TO 10KGS	£30
£100 - £624		£40
£625 - £1249		£55
£1250 PLUS		FREE DELIVERY

Delivery Exclusions Apply:
Please see the Charges
section below

COPING, FASCIAS & SOFFITS

TOTAL NET ORDER VALUE (EXCLUDING VAT)	PRICE
£0 - £150	£40
£151 - £1249	£95
£1250 PLUS	FREE DELIVERY

Delivery Exclusions Apply:
Please see the Charges
section below

CHARGES

With a fleet of Guttercrest vehicles and outside couriers, we deliver all our aluminium products to your local builders merchant or direct to site.

SCOTTISH MAINLAND

Standard carriage charges apply on
Postcode areas: DG, EH, G, KA, KY, TD

ALSO TO INCLUDE: DD1 - DD7, FK1 - FK7, FK9 - FK15,
FK8 STERLING ONLY (Rest of FK8 will be price on application),
KY1 - KY16, PA1 - PA19, PH1 - PH4, PH12 - PH14

All other Scottish Mainland, carriage price on application.

NON MAINLAND

For delivery to Northern Ireland, The Republic of Ireland
and all offshore Islands, carriage Price on application.

EXPORT

Price on application.

Tel: +44 (0)1691 663300

Email: info@guttercrest.co.uk

VAT will be charged at the appropriate rate.

