

# GUTTERCREST

## ALUMINIUM

### SMOOTHLINE ROUND DOWNPIPES



200mm  
8"

150mm  
6"

125mm  
5"

100mm  
4"

75mm  
3"

63mm  
2½"

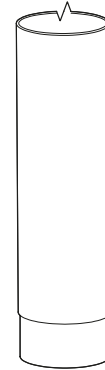
## PRICE LIST

## PRICE LIST

### SMOOTHLINE ROUND DOWNPIPE SYSTEM

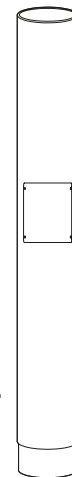
#### DOWNPIPE LENGTHS

Pipe (mm)	63 Ø	75 Ø	100 Ø	125 Ø	150 Ø	200 Ø
3.0mtr	RW1S/1	RW2S/1	RW3S/1	RW4S/1	RW5S/1	RW8S/1
MILL	29.99	35.65	47.32	80.90	97.27	170.58
PPC	36.48	43.43	57.70	93.67	112.84	191.07
1.5mtr	RW1S/4	RW2S/4	RW3S/4	RW4S/4	RW5S/4	RW8S/4
MILL	18.25	21.07	27.87	48.00	56.20	108.52
PPC	21.49	24.96	33.06	54.39	63.98	118.77
1.0mtr	RW1S/5	RW2S/5	RW3S/5	RW4S/5	RW5S/5	RW8S/5
MILL	11.94	13.83	18.03	32.00	37.46	85.28
PPC	14.10	16.42	21.49	36.26	42.65	92.11

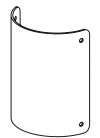


#### ACCESS PIPES & PLATES

Pipe (mm)	63 Ø	75 Ø	100 Ø	125 Ø	150 Ø	200 Ø
Pipe With Plate	RW1S/8	RW2S/8	RW3S/8	RW4S/8	RW5S/8	RW8S/8
MILL	20.62	27.26	31.15	40.27	45.34	128.88
PPC	22.24	29.21	33.74	43.46	49.23	134.00
Plate Only	RW1/9	RW2/9	RW3/9	RW4/9	RW5/9	RW8/9
MILL	7.25	7.29	7.87	8.88	10.10	11.14
PPC	7.80	7.84	8.42	9.43	10.65	11.69



Approx  
700mm

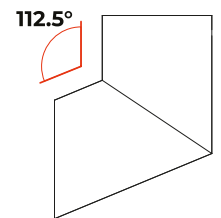
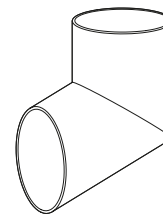


Access Plate

Access Pipe  
With Plate

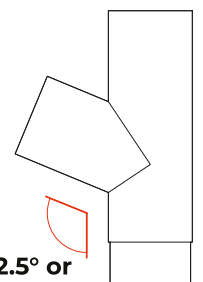
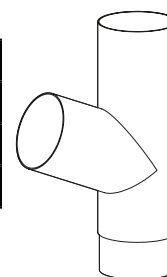
#### SHOES

Pipe (mm)	63 Ø	75 Ø	100 Ø	125 Ø	150 Ø	200 Ø
Shoe	RW1S/10	RW2S/10	RW3S/10	RW4S/10	RW5S/10	RW8S/10
MILL	13.27	15.27	19.40	29.06	35.26	93.45
PPC	13.82	15.82	20.25	30.14	36.74	94.93



#### UNIVERSAL BRANCHES

Pipe (mm)	63 Ø	75 Ø	100 Ø	125 Ø	150 Ø	200 Ø
Branch	RW1S/11	RW2S/11	RW3S/11	RW4S/11	RW5S/11	RW8S/11
MILL	27.83	30.78	44.04	50.03	61.57	130.41
PPC	28.62	31.73	45.49	52.28	67.87	133.83



112.5° branch shown

112.5° or  
92.5°

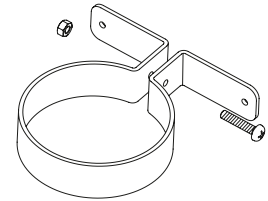
NOTE: NORMALLY USED WITH A BEND

## PRICE LIST

### SMOOTHLINE ROUND DOWNPIPE SYSTEM

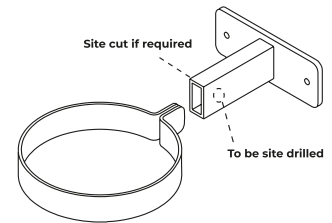
#### PIPE CLIPS

Pipe (mm)	63 Ø	75 Ø	100 Ø	125 Ø	150 Ø	200 Ø
Standard Pipe Clip	RW1/16	RW2/16	RW3/16	RW4/16	RW5/16	RW8/16
MILL	4.18	4.37	4.65	7.84	8.64	14.47
PPC	4.73	4.92	5.20	8.39	9.19	15.02



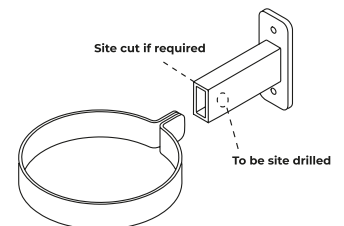
Standard Pipe Clip

Pipe (mm)	63 Ø	75 Ø	100 Ø	125 Ø	150 Ø	200 Ø
Tee Bkt 100mm	RW1/17	RW2/17	RW3/17	RW4/17	RW5/17	RW8/17
MILL	9.97	10.11	10.36	12.04	12.39	21.87
PPC	10.52	10.66	10.91	12.59	12.94	22.42
Tee Bkt 200mm	RW1/18	RW2/18	RW3/18	RW4/18	RW5/18	RW8/18
MILL	10.79	10.94	11.19	12.87	13.22	22.69
PPC	11.34	11.49	11.74	13.42	13.77	23.24
Tee Bkt 300mm	RW1/19	RW2/19	RW3/19	RW4/19	RW5/19	RW8/19
MILL	11.71	11.86	12.10	13.78	14.14	23.61
PPC	12.26	12.41	12.65	14.33	14.69	24.16



Tee bracket

Pipe (mm)	63 Ø	75 Ø	100 Ø	125 Ø	150 Ø	200 Ø
Mullion Bkt 100mm	RW1/171	RW2/171	RW3/171	RW4/171	RW5/171	RW8/171
MILL	9.97	10.11	10.36	11.43	11.78	21.87
PPC	10.52	10.66	10.91	11.98	12.33	22.42
Mullion Bkt 200mm	RW1/181	RW2/181	RW3/181	RW4/181	RW5/181	RW8/181
MILL	10.79	10.94	11.19	12.87	12.61	22.69
PPC	11.34	11.49	11.74	13.42	13.16	23.24
Mullion Bkt 300mm	RW1/191	RW2/191	RW3/191	RW4/191	RW5/191	RW8/191
MILL	11.71	11.86	12.10	13.78	14.14	23.61
PPC	12.26	12.41	12.65	14.33	14.69	24.16

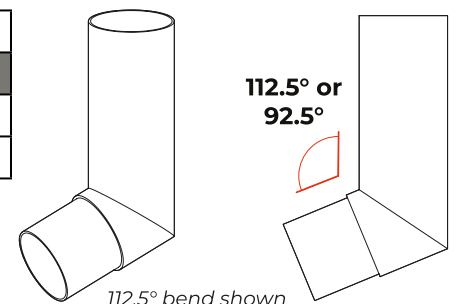


Mullion bracket

#### BENDS

Pipe (mm)	63 Ø	75 Ø	100 Ø	125 Ø	150 Ø	200 Ø
Bend	RW1S/21	RW2S/21	RW3S/21	RW4S/21	RW5S/21	RW8S/21
MILL	12.51	14.50	21.90	25.64	30.60	79.20
PPC	13.06	15.13	22.79	26.81	32.12	81.19

NOTE: NORMALLY USED WITH A BRANCH



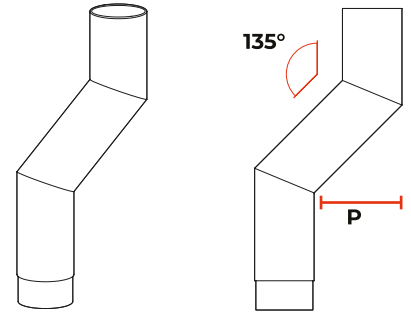
## PRICE LIST

### SMOOTHLINE ROUND DOWNPIPE SYSTEM

#### PLINTH OFFSETS

Pipe (mm)	63 Ø	75 Ø	100 Ø	125 Ø	150 Ø	200 Ø
Offset Up To 150mm	RW1S/23	RW2S/23	RW3S/23	RW4S/23	RW5S/23	RW8S/23
MILL	46.08	50.18	58.58	75.16	85.17	154.23
PPC	47.30	51.66	60.58	77.67	88.28	158.32

NOTE: PLEASE STATE PROJECTION (P) SIZE

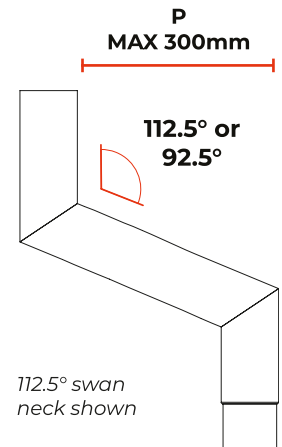


#### SWAN NECKS

##### SWAN NECK 1 PIECE

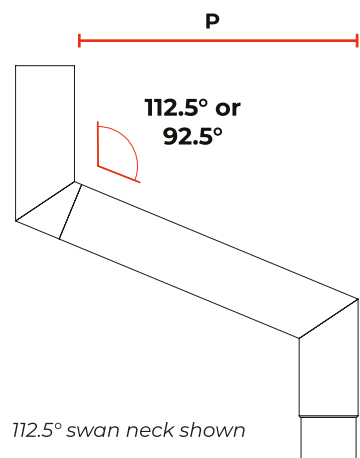
Pipe (mm)	63 Ø	75 Ø	100 Ø	125 Ø	150 Ø	200 Ø
One Piece 300mm	RW1S/25	RW2S/25	RW3S/25	RW4S/25	RW5S/25	RW8S/25
MILL	48.79	52.94	61.42	79.19	91.09	139.10
PPC	50.07	54.50	63.56	81.89	94.47	143.53

NOTE: PLEASE STATE PROJECTION (P) SIZE



##### SWAN NECK 2 PIECE

Pipe (mm)	63 Ø	75 Ø	100 Ø	125 Ø	150 Ø	200 Ø
Two Piece 300mm	RW1S/26	RW2S/26	RW3S/26	RW4S/26	RW5S/26	RW8S/26
MILL	30.90	34.05	45.38	63.41	76.90	163.95
PPC	32.31	35.76	47.76	66.41	80.70	168.94
Two Piece 450mm	RW1S/27	RW2S/27	RW3S/27	RW4S/27	RW5S/27	RW8S/27
MILL	32.24	35.69	46.25	69.85	84.19	176.41
PPC	34.00	37.82	49.18	73.53	88.82	182.49
Two Piece 600mm	RW1S/28	RW2S/28	RW3S/28	RW4S/28	RW5S/28	RW8S/28
MILL	33.63	37.36	48.44	73.88	89.13	184.07
PPC	35.74	39.92	51.94	78.26	94.62	191.27
Two Piece 900mm	RW1S/29	RW2S/29	RW3S/29	RW4S/29	RW5S/29	RW8S/29
MILL	36.35	40.68	52.77	81.83	98.85	199.15
PPC	39.17	44.08	57.40	87.59	106.03	208.57
Two Piece 1200mm	RW1S/30	RW2S/30	RW3S/30	RW4S/30	RW5S/30	RW8S/30
MILL	39.16	44.13	57.23	90.02	108.87	214.69
PPC	42.70	48.45	63.02	97.21	117.78	226.38



112.5° swan neck shown

112.5° swan neck shown

## PRICE LIST

### FIXINGS & SEALANTS

Code	Qty	Description	Price
GM1	25	Gutter Fixing 38 x 5.5 A2 Stainless Steel	4.56
GM2	100	Gutter Fixing 38 x 5.5 A2 Stainless Steel	13.86
GM3	200	Gutter Fixing 38 x 5.5 A2 Stainless Steel	26.90



GM1 - GM5

Code	Qty	Description	Price
GM201	25	4.8 x 14.7 All Aluminium sealed Rivet	3.38
GM202	100	4.8 x 14.7 All Aluminium sealed Rivet	12.46
GM203	200	4.8 x 14.7 All Aluminium sealed Rivet	23.38



GM201 - GM203

Code	Qty	Description	Price
GM610	25	6.3mm STRUCTURAL Aluminium Rivet	10.97
GM620	100	6.3mm STRUCTURAL Aluminium Rivet	39.11
GM630	200	6.3mm STRUCTURAL Aluminium Rivet	78.21



GM610 - GM620

Code	Qty	Description	Price
GM20	25	Downpipe Fixing 6 x 50 A2 Stainless Steel	9.81
GM21	100	Downpipe Fixing 6 x 50 A2 Stainless Steel	32.84



GM20 - GM21

Code	Qty	Description	Price
GM30	1	380ml Cartridge Silicone Sealant - Grey	11.00
GM32	1	1no 12mtr Reel Butyl Tape 12mm x 3mm	6.56
GM40	1	Touch Up Paint - Colour to match order	23.98
GM50	1	1no Drill Bit 4.8mm	2.06
GM51	1	1no Drill Bit 6.4mm	2.74



GM30



GM32



GM50 - GM60

Code	Qty	Description	Price
GM910	1	Standard Rainwater Rivet Gun	20.13
GM920	1	Professional Rivet Gun - Interchangeable collets for rain-water and structural rivets	115.19



GM910



GM920

## PRICE LIST

### CARRIAGE CHARGES

#### GUTTERS, DOWNPIPES & HOPPERS

TOTAL NET ORDER VALUE (EXCLUDING VAT)		PRICE
£0 - £99	BOXED UP TO 10KG	£15 Min Charge
£0 - £99	3M LENGTHS UP TO 10KGS	£30
£100 - £624		£40
£625 - £1249		£55
£1250 PLUS		FREE DELIVERY

Delivery Exclusions Apply:  
Please see the Charges  
section below

#### COPING, FASCIAS & SOFFITS

TOTAL NET ORDER VALUE (EXCLUDING VAT)	PRICE
£0 - £150	£40
£151 - £1249	£95
£1250 PLUS	FREE DELIVERY

Delivery Exclusions Apply:  
Please see the Charges  
section below

#### CHARGES

With a fleet of Guttercrest vehicles and outside couriers, we deliver all our aluminium products to your local builders merchant or direct to site.

##### SCOTTISH MAINLAND

Standard carriage charges apply on  
Postcode areas: DG, EH, G, KA, KY, TD

ALSO TO INCLUDE: DD1 - DD7, FK1 - FK7, FK9 - FK15,  
FK8 STERLING ONLY (Rest of FK8 will be price on application),  
KY1 - KY16, PA1 - PA19, PH1 - PH4, PH12 - PH14

All other Scottish Mainland, carriage price on application.

##### NON MAINLAND

For delivery to Northern Ireland, The Republic of Ireland  
and all offshore Islands, carriage Price on application.

##### EXPORT

Price on application.

Tel: +44 (0)1691 663300

Email: [info@guttercrest.co.uk](mailto:info@guttercrest.co.uk)

VAT will be charged at the appropriate rate.

