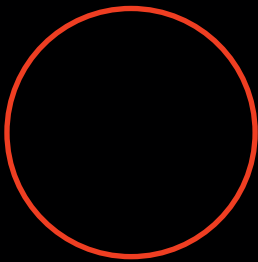


GUTTERCREST

ALUMINIUM

TRADITIONAL ROUND DOWNPIPES



150mm
6"



100mm
4"



75mm
3"



63mm
2½"

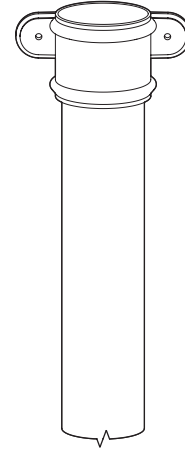
PRICE LIST

PRICE LIST

TRADITIONAL ROUND DOWNPIPE SYSTEM

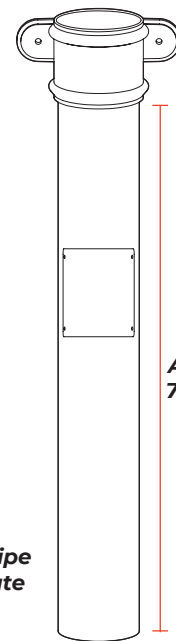
DOWNPIPE LENGTHS

Pipe (mm)	63 Ø	75 Ø	100 Ø	150 Ø
3.0mtr	RW1T/1	RW2T/1	RW3T/1	RW5T/1
MILL	31.82	38.14	50.64	108.77
PPC	38.14	45.76	60.86	124.10
1.8mtr	RW1T/3	RW2T/3	RW3T/3	RW5T/3
MILL	23.64	27.91	37.25	80.68
PPC	27.44	32.48	43.39	89.88

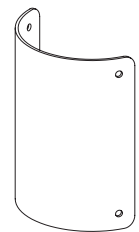


ACCESS PIPES & PLATES

Pipe (mm)	63 Ø	75 Ø	100 Ø	150 Ø
Pipe With Plate	RW1T/8	RW2T/8	RW3T/8	RW5T/8
MILL	30.02	32.97	40.04	73.19
PPC	31.73	35.03	42.89	77.53
Plate Only	RW1/9	RW2/9	RW3/9	RW5/9
MILL	6.88	6.91	7.39	9.25
PPC	7.43	7.46	7.94	9.80



Approx
700mm

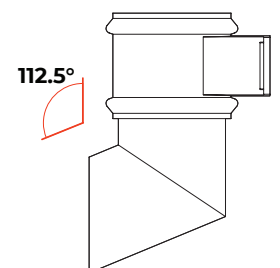
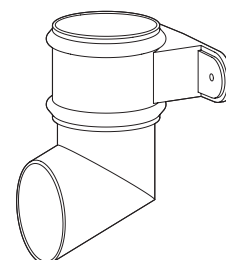


Access Plate

Access Pipe
With Plate

SHOES

Pipe (mm)	63 Ø	75 Ø	100 Ø	150 Ø
Shoe	RW1T/10	RW2T/10	RW3T/10	RW5T/10
MILL	21.87	25.25	33.49	65.64
PPC	22.42	25.80	34.40	67.16



112.5°

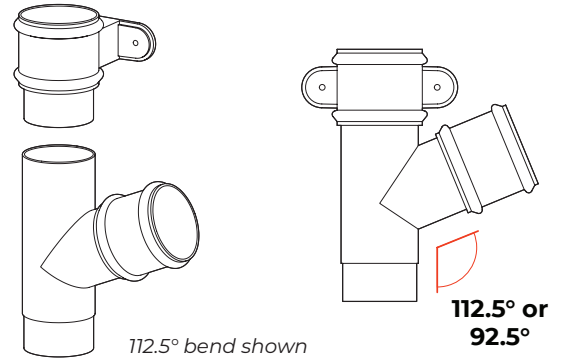
PRICE LIST

TRADITIONAL ROUND DOWNPIPE SYSTEM

UNIVERSAL BRANCH

Pipe (mm)	63 Ø	75 Ø	100 Ø	150 Ø
Branch	RW1T/11	RW2T/11	RW3T/11	RW5T/11
MILL	46.25	51.58	66.23	128.87
PPC	47.04	52.53	67.68	132.02

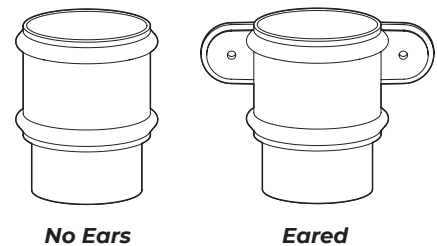
NOTE: UNIVERSAL BRANCH FOR LEFT OR RIGHT IF ONE PIECE IS REQUIRED PLEASE STATE INCLUDING LEFT OR RIGHT HAND



CONNECTORS

Pipe (mm)	63 Ø	75 Ø	100 Ø	150 Ø
Connector No Ears	RW1T/12	RW2T/12	RW3T/12	RW5T/12
MILL	13.11	14.53	16.79	42.13
PPC	13.66	15.08	17.34	43.02
Connector Eared	RW1T/13	RW2T/13	RW3T/13	RW5T/13
MILL	14.24	16.25	22.00	44.66
PPC	14.79	16.80	22.55	45.55

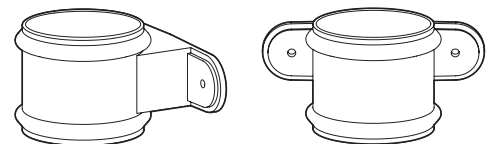
NOTE: A STANDARD PLAIN CONNECTOR CAN ALSO BE USED



COLLAR BRACKETS

Pipe (mm)	63 Ø	75 Ø	100 Ø	150 Ø
Collar Bkt Eared	RW1T/15	RW2T/15	RW3T/15	RW5T/15
MILL	9.00	10.41	14.95	24.32
PPC	9.55	10.96	15.50	24.90

NOTE: THIS ITEM IS USED IN PLACE OF A BRACKET, FOR EXAMPLE AT THE BASE OF THE DOWNPIPE IF NO SHOE IS REQUIRED



PRICE LIST

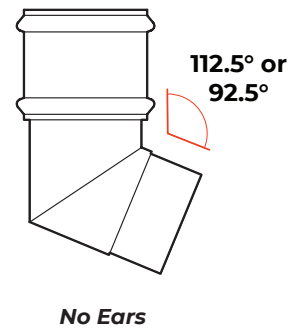
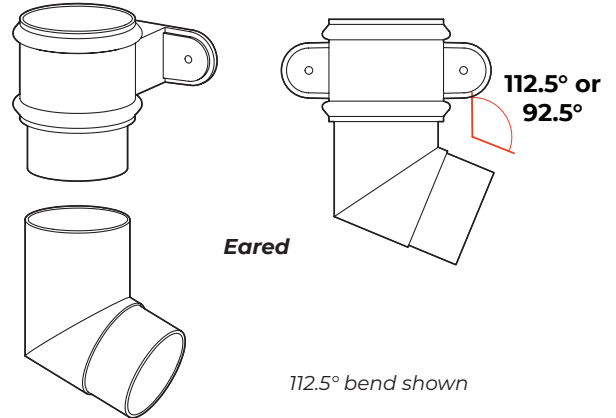
TRADITIONAL ROUND DOWNPIPE SYSTEM

BENDS

Pipe (mm)	63 Ø	75 Ø	100 Ø	150 Ø
Bend No Ears	RW1T/21	RW2T/21	RW3T/21	RW5T/21
MILL	18.72	21.59	28.05	55.21
PPC	19.27	22.14	28.75	56.43
Bend Eared	RW1T/22	RW2T/22	RW3T/22	RW5T/22
MILL	23.11	26.62	34.91	76.87
PPC	23.66	27.17	35.61	78.09

NOTE: NORMALLY USED WITH A BRANCH

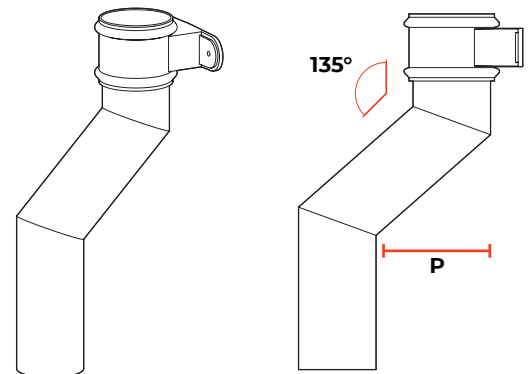
UNIVERSAL BENDS FOR LEFT OR RIGHT IF ONE PIECE IS REQUIRED
PLEASE STATE INCLUDING LEFT OR RIGHT HAND



PLINTH OFFSETS

Pipe (mm)	63 Ø	75 Ø	100 Ø	150 Ø
Offset Up To 150mm	RW1T/23	RW2T/23	RW3T/23	RW5T/23
MILL	46.62	51.96	62.82	104.51
PPC	47.68	53.26	64.52	107.12

NOTE: PLEASE STATE PROJECTION (P) SIZE



PRICE LIST

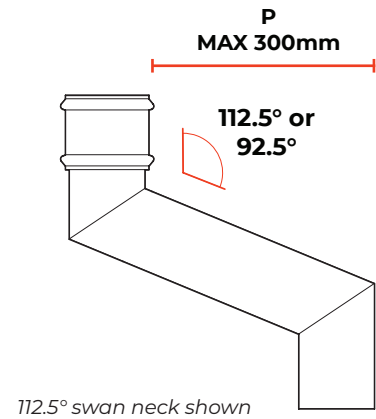
TRADITIONAL ROUND DOWNPIPE SYSTEM

SWAN NECKS

SWAN NECK 1 PIECE

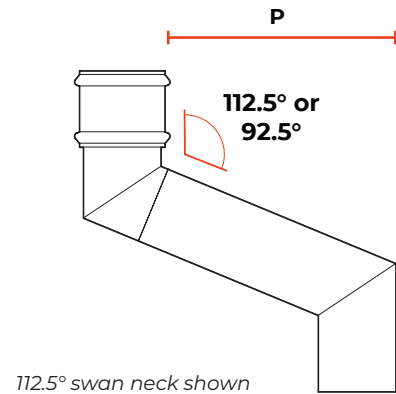
Pipe (mm)	63 Ø	75 Ø	100 Ø	150 Ø
One Piece 300mm	RW1T/25	RW2T/25	RW3T/25	RW5T/25
MILL	49.62	54.59	66.14	106.83

NOTE: PLEASE STATE PROJECTION (P) SIZE



SWAN NECK 2 PIECE

Pipe (mm)	63 Ø	75 Ø	100 Ø	150 Ø
Two Piece 300mm	RW1T/26	RW2T/26	RW3T/26	RW5T/26
MILL	30.40	35.33	45.41	85.74
PPC	31.77	37.02	47.77	89.61
Two Piece 450mm	RW1T/27	RW2T/27	RW3T/27	RW5T/27
MILL	31.57	36.71	47.23	89.80
PPC	33.32	38.81	50.13	94.50
Two Piece 600mm	RW1T/28	RW2T/28	RW3T/28	RW5T/28
MILL	32.60	37.96	48.31	92.41
PPC	34.71	40.48	50.85	96.28
Two Piece 900mm	RW1T/29	RW2T/29	RW3T/29	RW5T/29
MILL	36.78	43.09	55.47	99.33
PPC	39.04	45.81	59.12	106.40
Two Piece 1200mm	RW1T/30	RW2T/30	RW3T/30	RW5T/30
MILL	37.20	43.58	56.13	109.96



PRICE LIST

FIXINGS & SEALANTS

Code	Qty	Description	Price
GM1	25	Gutter Fixing 38 x 5.5 A2 Stainless Steel	4.44
GM2	100	Gutter Fixing 38 x 5.5 A2 Stainless Steel	13.44
GM3	200	Gutter Fixing 38 x 5.5 A2 Stainless Steel	26.08



GM1 - GM5

Code	Qty	Description	Price
GM201	25	4.8 x 14.7 All Aluminium sealed Rivet	3.29
GM202	100	4.8 x 14.7 All Aluminium sealed Rivet	12.09
GM203	200	4.8 x 14.7 All Aluminium sealed Rivet	22.68



GM201 - GM203

Code	Qty	Description	Price
GM610	25	6.3mm STRUCTURAL Aluminium Rivet	10.67
GM620	100	6.3mm STRUCTURAL Aluminium Rivet	37.92
GM630	200	6.3mm STRUCTURAL Aluminium Rivet	75.84



GM610 - GM620

Code	Qty	Description	Price
GM20	25	Downpipe Fixing 6 x 50 A2 Stainless Steel	9.54
GM21	100	Downpipe Fixing 6 x 50 A2 Stainless Steel	31.84



GM20 - GM21

Code	Qty	Description	Price
GM30	1	380ml Cartridge Silicone Sealant - Grey	10.80
GM32	1	1no 12mtr Reel Butyl Tape 12mm x 3mm	6.33
GM40	1	Touch Up Paint - Colour to match order	23.35
GM50	1	1no Drill Bit 4.8mm	2.02
GM51	1	1no Drill Bit 6.4mm	2.69



GM30



GM32



GM50 - GM60

Code	Qty	Description	Price
GM910	1	Standard Rainwater Rivet Gun	19.52
GM920	1	Professional Rivet Gun - Interchangeable collets for rain-water and structural rivets	111.10



GM910



GM920

PRICE LIST

CARRIAGE CHARGES

GUTTERS, DOWNPIPES & HOPPERS

TOTAL NET ORDER VALUE (EXCLUDING VAT)		PRICE
£0 - £99	BOXED UP TO 10KG	£15 Min Charge
£0 - £99	3M LENGTHS UP TO 10KGS	£30
£100 - £624		£40
£625 - £1249		£55
£1250 PLUS		FREE DELIVERY

Delivery Exclusions Apply:
Please see the Charges
section below

COPING, FASCIAS & SOFFITS

TOTAL NET ORDER VALUE (EXCLUDING VAT)	PRICE
£0 - £150	£40
£151 - £1249	£95
£1250 PLUS	FREE DELIVERY

Delivery Exclusions Apply:
Please see the Charges
section below

CHARGES

With a fleet of Guttercrest vehicles and outside couriers, we deliver all our aluminium products to your local builders merchant or direct to site.

SCOTTISH MAINLAND

Standard carriage charges apply on
Postcode areas: DG, EH, G, KA, KY, TD

ALSO TO INCLUDE: DD1 - DD7, FK1 - FK7, FK9 - FK15,
FK8 STERLING ONLY (Rest of FK8 will be price on application),
KY1 - KY16, PA1 - PA19, PH1 - PH4, PH12 - PH14

All other Scottish Mainland, carriage price on application.

NON MAINLAND

For delivery to Northern Ireland, The Republic of Ireland
and all offshore Islands, carriage Price on application.

EXPORT

Price on application.

Tel: +44 (0)1691 663300

Email: info@guttercrest.co.uk

VAT will be charged at the appropriate rate.

