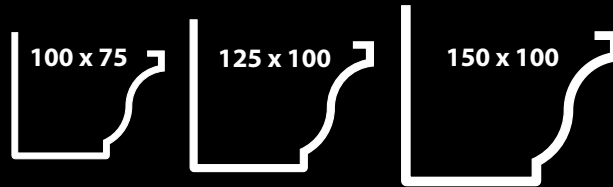


**GUTTERCREST**

# Moulded Ogee System

(Type 46) Small sizes

*Extruded aluminium moulded Ogee gutters with internal welded buttstraps and holes for direct back fixing.*

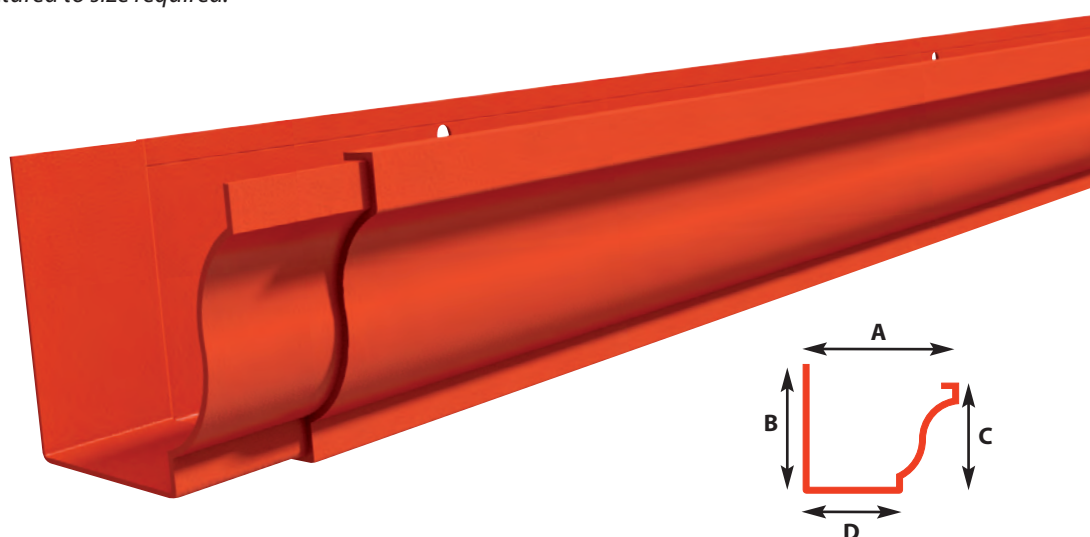


## MOULDED OGEE GUTTERING SYSTEM *(small)*

### STANDARD GUTTER LENGTHS

GUTTER (mm)	3m	1.8m	A (mm)	B (mm)	C (mm)	D (mm)	MATERIAL THICKNESS
100 x 75	MOG1/1	MOG1/2	100	80	75	67	2.25
125 x 100	MOG2/1	MOG2/2	125	105	100	84	2.5
150 x 100	MOG3/1	MOG3/2	150	110	100	100	3

Wider or deeper gutters manufactured to size required.



### STOPENDS

GUTTER (mm)	R/H STOPEND	L/H STOPEND
100 x 75	MOG1/10	MOG1/11
125 x 100	MOG2/10	MOG2/11
150 x 100	MOG3/10	MOG3/11



## MOULDED OGEE GUTTERING SYSTEM *(small)*

### OUTLETS

#### ROUND

GUTTER (mm)	63 Ø	75 Ø	100 Ø	125 Ø	150 Ø
100 x 75	MOG1/13	MOG1/14	-	-	-
125 x 100	MOG2/13*	MOG2/14	MOG2/15	-	-
150 x 100	MOG3/13*	MOG3/14*	MOG3/15	MOG3/16	-

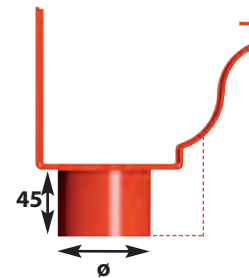
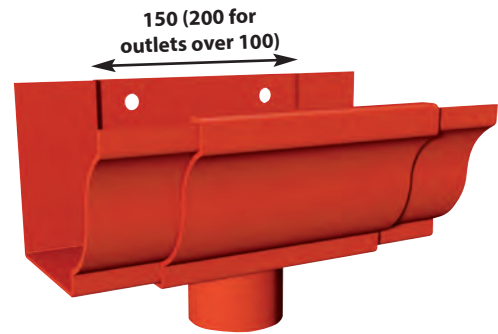
#### SQUARE AND RECTANGULAR

GUTTER (mm)	75 x 50	75 x 75	100 x 75	100 x 100	150 x 100	150 x 150
100 x 75	MOG1/18	MOG1/19	MOG1/20	-	-	-
125 x 100	MOG2/18*	MOG2/19	MOG2/20	MOG2/21	MOG2/22	-
150 x 100	MOG3/18*	MOG3/19*	MOG3/20*	MOG3/21	MOG3/22	-

\* Indicates a sleeve outlet can be used in place of running outlets giving increased flexibility and cost efficiency.



Sleeve Outlet



### ANGLES - INTERNAL & EXTERNAL

#### 90° EXTERNAL

Gutter (mm)		A (mm)	B (mm)
100 x 75	MOG1/3	35	135
125 x 100	MOG2/3	35	160
150 x 100	MOG3/3	35	185

#### 90° INTERNAL

	A (mm)	B (mm)
MOG1/4	135	35
MOG2/4	160	35
MOG3/4	185	35

#### 135° EXTERNAL

	A (mm)	B (mm)
MOG1/5	35	75
MOG2/5	35	85
MOG3/5	35	95

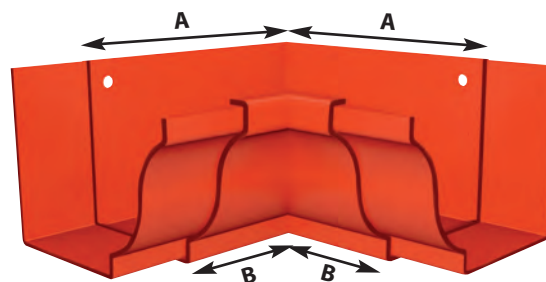
#### 135° INTERNAL

	A (mm)	B (mm)
MOG1/6	75	35
MOG2/6	85	35
MOG3/6	95	35

#### IRREGULAR ANGLE

GUTTER (mm)	EXTERNAL	INTERNAL
100 x 75	MOG1/7	MOG1/8
125 x 100	MOG2/7	MOG2/8
150 x 100	MOG3/7	MOG3/8

When ordering an irregular angle, state ref no. and actual fascia angle & note that A+B lengths vary subject to angle.



Internal Angle