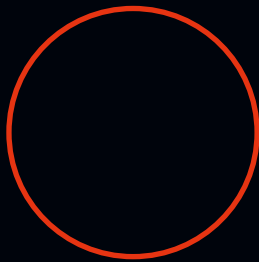


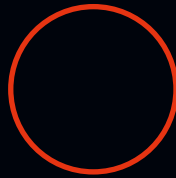
# GUTTERCREST

## ALUMINIUM

### TRADITIONAL ROUND DOWNPIPES



150mm  
6"



100mm  
4"



75mm  
3"



63mm  
2½"

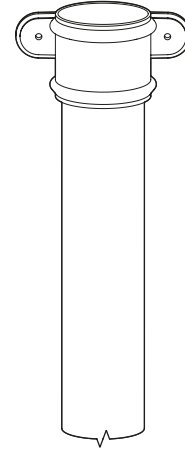
## PRICE LIST

## PRICE LIST

### TRADITIONAL ROUND DOWNPIPE SYSTEM

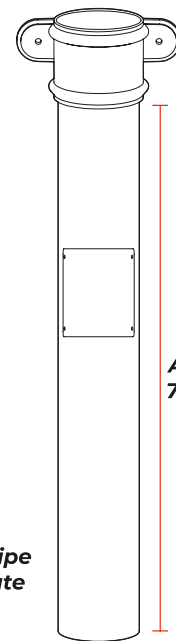
#### DOWNPIPE LENGTHS

Pipe (mm)	63 Ø	75 Ø	100 Ø	150 Ø
3.0mtr	RW1T/1	RW2T/1	RW3T/1	RW5T/1
MILL	35.63	42.76	56.69	122.45
PPC	41.95	50.38	66.91	137.78
1.8mtr	RW1T/3	RW2T/3	RW3T/3	RW5T/3
MILL	26.13	30.87	41.12	89.54
PPC	29.93	35.44	47.26	98.74

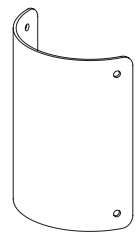


#### ACCESS PIPES & PLATES

Pipe (mm)	63 Ø	75 Ø	100 Ø	150 Ø
Pipe With Plate	RW1T/8	RW2T/8	RW3T/8	RW5T/8
MILL	32.00	35.21	42.81	78.84
PPC	33.71	37.27	45.66	83.18
Plate Only	RW1/9	RW2/9	RW3/9	RW5/9
MILL	7.23	7.27	7.82	10.00
PPC	7.78	7.82	8.37	10.55



Approx  
700mm

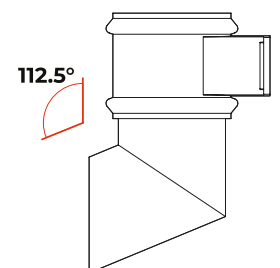
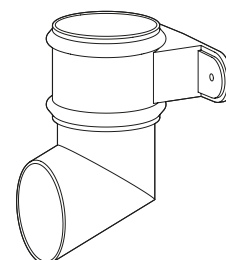


Access Plate

Access Pipe  
With Plate

#### SHOES

Pipe (mm)	63 Ø	75 Ø	100 Ø	150 Ø
Shoe	RW1T/10	RW2T/10	RW3T/10	RW5T/10
MILL	22.97	26.54	35.24	69.33
PPC	23.52	27.09	36.15	70.85



112.5°

## PRICE LIST

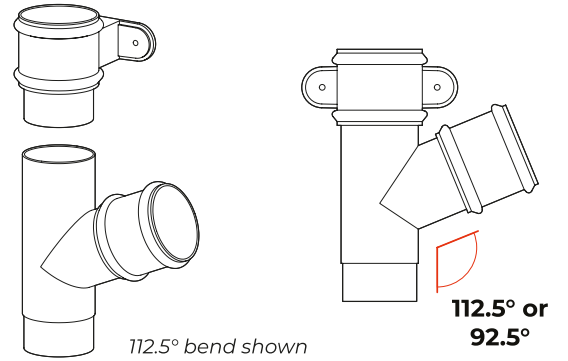
### TRADITIONAL ROUND DOWNPIPE SYSTEM

#### UNIVERSAL BRANCH

Pipe (mm)	63 Ø	75 Ø	100 Ø	150 Ø
Branch	RW1T/11	RW2T/11	RW3T/11	RW5T/11
MILL	48.71	54.34	69.84	136.78
PPC	49.50	55.29	71.29	139.93

NOTE: UNIVERSAL BRANCH FOR LEFT OR RIGHT IF ONE PIECE IS REQUIRED PLEASE STATE INCLUDING LEFT OR RIGHT HAND

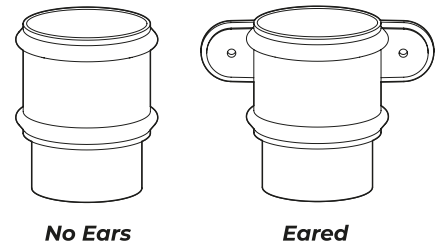
NOTE: NORMALLY USED WITH A BEND



#### CONNECTORS

Pipe (mm)	63 Ø	75 Ø	100 Ø	150 Ø
Connector No Ears	RW1T/12	RW2T/12	RW3T/12	RW5T/12
MILL	13.73	15.22	17.57	44.12
PPC	14.28	15.77	18.12	45.01
Connector Eared	RW1T/13	RW2T/13	RW3T/13	RW5T/13
MILL	14.90	16.99	22.99	46.73
PPC	15.45	17.54	23.54	47.62

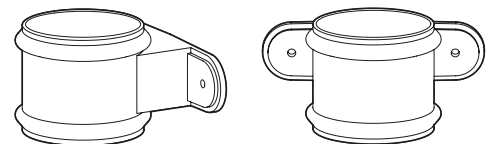
NOTE: A STANDARD PLAIN CONNECTOR CAN ALSO BE USED



#### COLLAR BRACKETS

Pipe (mm)	63 Ø	75 Ø	100 Ø	150 Ø
Collar Bkt Eared	RW1T/15	RW2T/15	RW3T/15	RW5T/15
MILL	9.34	10.79	15.49	25.10
PPC	9.89	11.34	16.04	25.68

NOTE: THIS ITEM IS USED IN PLACE OF A BRACKET, FOR EXAMPLE AT THE BASE OF THE DOWNPIPE IF NO SHOE IS REQUIRED



## PRICE LIST

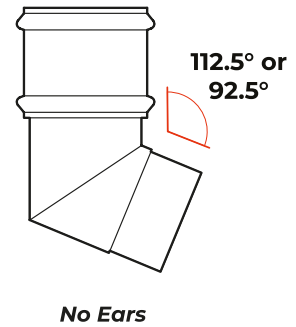
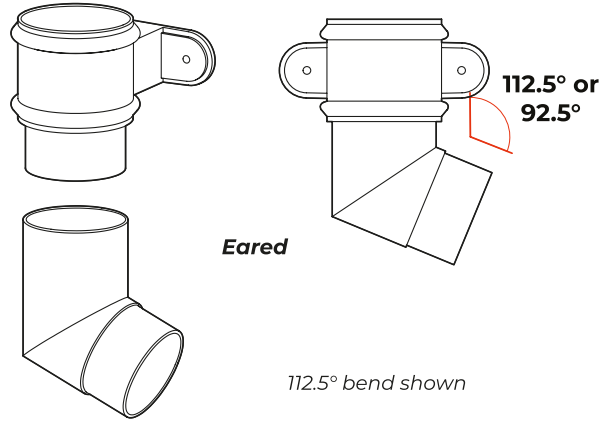
### TRADITIONAL ROUND DOWNPIPE SYSTEM

#### BENDS

Pipe (mm)	63 Ø	75 Ø	100 Ø	150 Ø
Bend No Ears	RW1T/21	RW2T/21	RW3T/21	RW5T/21
MILL	19.67	22.68	29.44	57.93
PPC	20.22	23.23	30.14	59.15
Bend Eared	RW1T/22	RW2T/22	RW3T/22	RW5T/22
MILL	24.29	27.97	36.65	80.76
PPC	24.84	28.52	37.35	81.98

NOTE: NORMALLY USED WITH A BRANCH

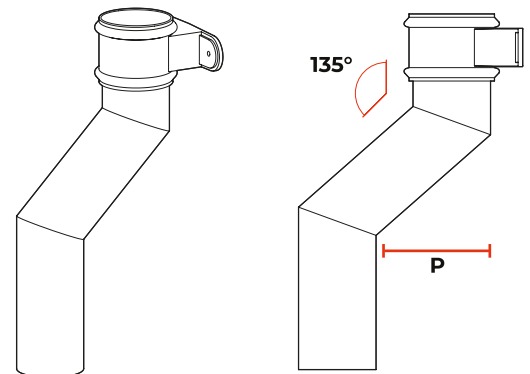
UNIVERSAL BENDS FOR LEFT OR RIGHT IF ONE PIECE IS REQUIRED  
PLEASE STATE INCLUDING LEFT OR RIGHT HAND



#### PLINTH OFFSETS

Pipe (mm)	63 Ø	75 Ø	100 Ø	150 Ø
Offset Up To 150mm	RW1T/23	RW2T/23	RW3T/23	RW5T/23
MILL	54.28	59.96	71.46	116.11
PPC	55.34	61.26	73.16	118.72

NOTE: PLEASE STATE PROJECTION (P) SIZE



## PRICE LIST

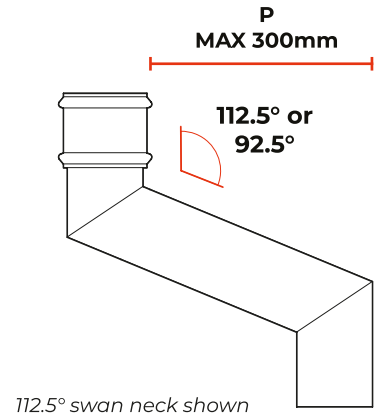
### TRADITIONAL ROUND DOWNPIPE SYSTEM

#### SWAN NECKS

##### SWAN NECK 1 PIECE

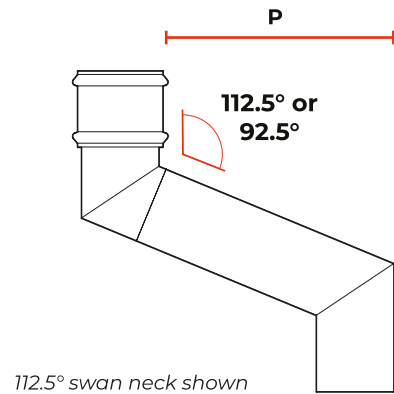
Pipe (mm)	63 Ø	75 Ø	100 Ø	150 Ø
One Piece 300mm	RW1T/25	RW2T/25	RW3T/25	RW5T/25
MILL	53.70	59.00	71.41	116.83
PPC	54.98	60.56	73.52	120.23

NOTE: PLEASE STATE PROJECTION (P) SIZE



##### SWAN NECK 2 PIECE

Pipe (mm)	63 Ø	75 Ø	100 Ø	150 Ø
Two Piece 300mm	RW1T/26	RW2T/26	RW3T/26	RW5T/26
MILL	32.26	37.52	48.19	91.24
PPC	33.63	39.21	50.55	95.11
Two Piece 450mm	RW1T/27	RW2T/27	RW3T/27	RW5T/27
MILL	33.61	39.13	50.30	96.00
PPC	35.36	41.23	53.20	100.70
Two Piece 600mm	RW1T/28	RW2T/28	RW3T/28	RW5T/28
MILL	34.82	40.59	51.61	99.14
PPC	36.93	43.11	54.15	103.01
Two Piece 900mm	RW1T/29	RW2T/29	RW3T/29	RW5T/29
MILL	39.76	46.65	60.03	107.14
PPC	42.02	49.37	63.68	114.21
Two Piece 1200mm	RW1T/30	RW2T/30	RW3T/30	RW5T/30
MILL	40.22	47.18	60.75	119.79
PPC	43.16	50.73	65.51	127.03



## PRICE LIST

### FIXINGS & SEALANTS

Code	Qty	Description	Price
GM1	25	Gutter Fixing 38 x 5.5 A2 Stainless Steel	4.56
GM2	100	Gutter Fixing 38 x 5.5 A2 Stainless Steel	13.86
GM3	200	Gutter Fixing 38 x 5.5 A2 Stainless Steel	26.90



GM1 - GM5

Code	Qty	Description	Price
GM201	25	4.8 x 14.7 All Aluminium sealed Rivet	3.38
GM202	100	4.8 x 14.7 All Aluminium sealed Rivet	12.46
GM203	200	4.8 x 14.7 All Aluminium sealed Rivet	23.38



GM201 - GM203

Code	Qty	Description	Price
GM610	25	6.3mm STRUCTURAL Aluminium Rivet	10.97
GM620	100	6.3mm STRUCTURAL Aluminium Rivet	39.11
GM630	200	6.3mm STRUCTURAL Aluminium Rivet	78.21



GM610 - GM620

Code	Qty	Description	Price
GM20	25	Downpipe Fixing 6 x 50 A2 Stainless Steel	9.81
GM21	100	Downpipe Fixing 6 x 50 A2 Stainless Steel	32.84



GM20 - GM21

Code	Qty	Description	Price
GM30	1	380ml Cartridge Silicone Sealant - Grey	11.00
GM32	1	1no 12mtr Reel Butyl Tape 12mm x 3mm	6.56
GM40	1	Touch Up Paint - Colour to match order	23.98
GM50	1	1no Drill Bit 4.8mm	2.06
GM51	1	1no Drill Bit 6.4mm	2.74



GM30



GM32



GM50 - GM60

Code	Qty	Description	Price
GM910	1	Standard Rainwater Rivet Gun	20.13
GM920	1	Professional Rivet Gun - Interchangeable collets for rain-water and structural rivets	115.19



GM910



GM920

## PRICE LIST

### CARRIAGE CHARGES

#### GUTTERS, DOWNPIPES & HOPPERS

TOTAL NET ORDER VALUE (EXCLUDING VAT)		PRICE
£0 - £99	BOXED UP TO 10KG	£15 Min Charge
£0 - £99	3M LENGTHS UP TO 10KGS	£30
£100 - £624		£40
£625 - £1249		£55
£1250 PLUS		FREE DELIVERY

Delivery Exclusions Apply:  
Please see the Charges  
section below

#### COPING, FASCIAS & SOFFITS

TOTAL NET ORDER VALUE (EXCLUDING VAT)	PRICE
£0 - £150	£40
£151 - £1249	£95
£1250 PLUS	FREE DELIVERY

Delivery Exclusions Apply:  
Please see the Charges  
section below

#### CHARGES

With a fleet of Guttercrest vehicles and outside couriers, we deliver all our aluminium products to your local builders merchant or direct to site.

##### SCOTTISH MAINLAND

Standard carriage charges apply on  
Postcode areas: DG, EH, G, KA, KY, TD

ALSO TO INCLUDE: DD1 - DD7, FK1 - FK7, FK9 - FK15,  
FK8 STERLING ONLY (Rest of FK8 will be price on application),  
KY1 - KY16, PA1 - PA19, PH1 - PH4, PH12 - PH14

All other Scottish Mainland, carriage price on application.

##### NON MAINLAND

For delivery to Northern Ireland, The Republic of Ireland  
and all offshore Islands, carriage Price on application.

##### EXPORT

Price on application.

Tel: +44 (0)1691 663300

Email: [info@guttercrest.co.uk](mailto:info@guttercrest.co.uk)

VAT will be charged at the appropriate rate.

