

GUTTERCREST



ALUMINIUM GUTTERS & ALUMINIUM RAINWATER PIPES

Edition 3 - Aluminium Rainwater Goods

GUTTERCREST RAINWATER SYSTEMS

Guttercrest, the leading manufacturer of aluminium rainwater disposal systems in the UK, offer a comprehensive range of products, suitable for every building style - traditional and modern.

Bespoke, specialised items and the capacity to deliver total rainwater disposal solutions also form part of our fast and competitively priced service.

All from our 26,000 sq.ft premises, using the latest equipment and technology.

APPLICATION

Guttercrest Rainwater Disposal Systems are suitable for a wide range of applications on commercial, domestic and industrial buildings.

COMPOSITION AND MANUFACTURE

Guttercrest Rainwater Disposal Systems are made up of pressed, extruded and die cast aluminium components.

Pressed aluminium gutters are made from 2mm heavy grade aluminium sheet to BS1470:1987.

Extruded aluminium gutters are 2 to 3.5mm thick to BS1474:1987 materials 6063TF.

Cast fittings are made from commercial grade LM2 and LM6 aluminium alloy 3 to 4mm thick to BS1490:1987.

All products are manufactured to commercially recognised engineering and die cast foundry tolerance.

All gutters (except half round and beaded deep flow) are provided with holes for direct back fixing. Pressed gutters have internal welded cross braces again with holes for direct back fixing.

Half round and beaded deep flow are offered with fascia brackets or alternative bracketry.

All gutters are provided with pilot holes/marks for riveting of the joints.

Rainwater pipe systems are offered with appropriate bracketry.

All gutters and rainwater pipes are offered with an extensive range of fittings, sealants and fixings.

APPEARANCE

Guttercrest Rainwater Disposal Systems can be provided in natural mill finish or factory applied polyester powder coatings to BS6496 and 6497.

An extensive range of standard colours are available to RAL or BS colours. Other colours may be at an additional cost.

AUTHORITY

BS2997:1958 (1980)

All gutter and rainwater disposal systems comply with BS2997:1958 (1980). The materials used meet and often exceed BS requirements.

BS6496 and 6497

Specification for powder organic coatings for application and stoving to aluminium alloy extrusions, sheets and preformed sections for external architectural purposes and for the finish in aluminium alloy extrusions, sheet and preformed sections coated with powder organic coatings.

KEY BENEFITS AND FEATURES

- Comprehensive range
- Lightweight but strong
- Low maintenance
- Long life
- Corrosion resistance
- Wide colour range
- Recyclable
- Easy to install
- Aesthetics
- Competitively priced
- Quality



Contents

Pages

Round downpipes **5 - 8**

Traditional round downpipes **9 - 12**

Square and rectangular downpipes **13 - 16**

Georgian square and rectangular downpipes **17 - 20**

Security downpipes **21 - 23**

Standard hoppers **24**

Feature downpipe brackets **25**

Decorative hoppers **26 - 27**

Half round gutters **28 - 30**

Beaded deep flow gutters **31 - 33**

Moulded ogee (Type 46) gutters *small sizes* **34 - 36**

Moulded ogee (Type 46) gutters *large sizes* **37 - 39**

Victorian ogee gutters **40 - 42**

Box gutters **43**

Box gutters *small sizes* **44 - 45**

Box gutters *large sizes* **46 - 47**

Shaped & Raked box gutters **48 - 49**

Bullnoze gutters **50 - 52**

Bespoke gutters **53 - 54**

Easieaves Copings **55 - 56**

Easieaves Fascia and Soffits **57**

Special requirements, performance, design details & jointing detail **58 - 59**

Flow capacity details **60 - 61**

Installation details **62**

Maintenance, model specification ordering and supply **63**

GUTTERCREST

A full range of
**ALUMINIUM GUTTERS & DOWNPIPES
AND EASIEAVES, THE MODULAR SYSTEM
FOR ALUMINIUM FASCIAS, SOFFITS & COPINGS**



ROUND DOWNPIPES AND FITTINGS

Extruded round aluminium downpipes with neat plain collars and pipe clips.



63

75

100

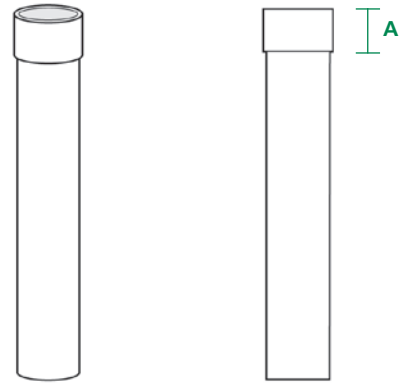
125

150

ROUND DOWNPIPES AND FITTINGS

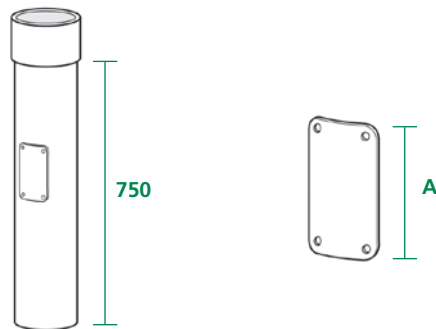
• ROUND DOWNPIPES

Pipe (mm)	3mtr	1.5mtr	1mtr	Other Specify length	Wall Thickness	A
63	RW1/1	RW1/4	RW1/5	RW1/6	1.6	50
75	RW2/1	RW2/4	RW2/5	RW2/6	1.6	50
100	RW3/1	RW3/4	RW3/5	RW3/6	1.6	60
125	RW4/1	RW4/4	RW4/5	RW4/6	2.0	70
150	RW5/1	RW5/4	RW5/5	RW5/6	2.5	80



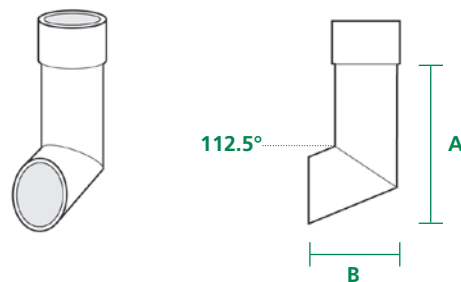
• ACCESS PIPES & PLATES

Pipe (mm)	Access Pipe complete with plate	Access Plate	A
63	RW1/8	RW1/9	100
75	RW2/8	RW2/9	100
100	RW3/8	RW3/9	130
125	RW4/8	RW4/9	165
150	RW5/8	RW5/9	200



• SHOES

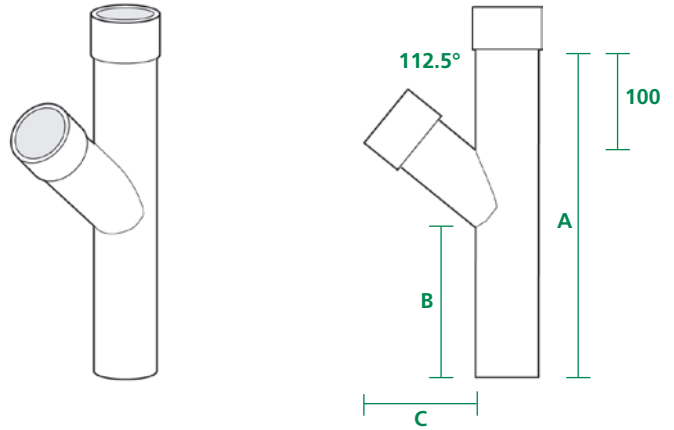
Pipe (mm)	Shoe	A	B
63	RW1/10	140	95
75	RW2/10	155	105
100	RW3/10	180	130
125	RW4/10	210	155
150	RW5/10	235	180



ROUND DOWNPIPES AND FITTINGS

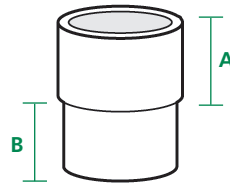
BRANCHES

Pipe (mm)	Branch	A	B	C
63	RW1/11	320	150	115
75	RW2/11	335	150	120
100	RW3/11	360	150	140
125	RW4/11	390	150	155
150	RW5/11	410	150	175



CONNECTORS

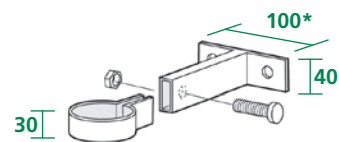
Pipe (mm)	Connector	A	B
63	RW1/12	50	50
75	RW2/12	50	50
100	RW3/12	60	50
125	RW4/12	70	60
150	RW5/12	80	60



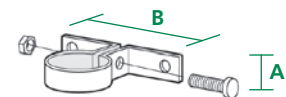
Ground adaptors available

PIPE CLIPS

Pipe (mm)	Pipe Clip	Max 100T Bkt	Max 200T Bkt	Max 300T Bkt	A	B
63	RW1/16	RW1/17	RW1/18	RW1/19	30	110
75	RW2/16	RW2/17	RW2/18	RW2/19	30	115
100	RW3/16	RW3/17	RW3/18	RW3/19	30	145
125	RW4/16	RW4/17	RW4/18	RW4/19	40	190
150	RW5/16	RW5/17	RW5/18	RW5/19	40	190



*(140 on pipes above 100mm)

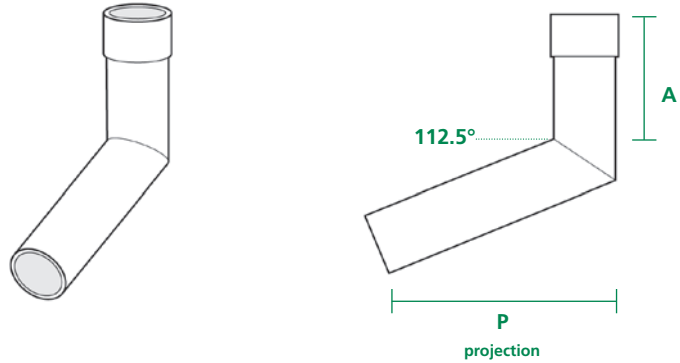


Special brackets available on request

ROUND DOWNPIPES AND FITTINGS

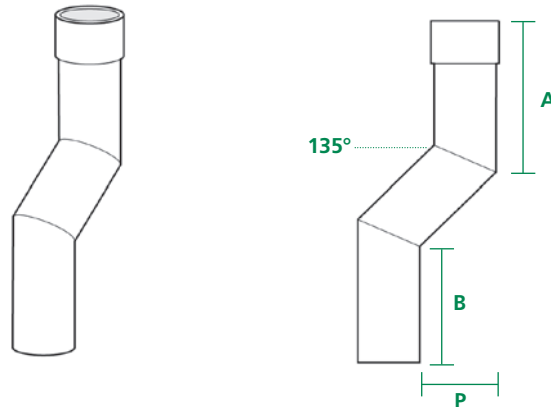
BENDS

Pipe (mm)	Ref	A	P
63	RW1/21	125	300
75	RW2/21	125	300
100	RW3/21	125	300
125	RW4/21	125	300
150	RW5/21	125	300



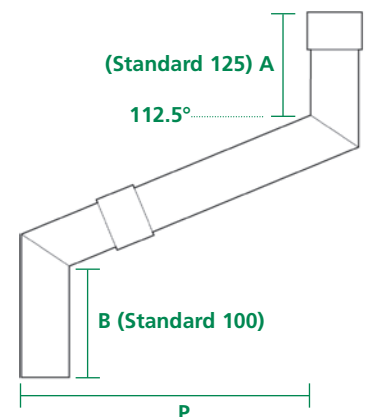
PLINTH OFFSETS

Pipe (mm)	Ref	A	B	P
63	RW1/23	140	200	Please state size required
75	RW2/23	145	200	
100	RW3/23	165	200	
125	RW4/23	185	200	
150	RW5/23	205	200	



SWAN NECKS

Pipe (mm)	one piece state size	Maximum projection of swan necks					Other	Minimum Projection P
		300	450	600	900	1200		
63	RW1/25	RW1/26	RW1/27	RW1/28	RW1/29	RW1/30	Please specify A, B and P, projection angle RW?/31	145
75	RW2/25	RW2/26	RW2/27	RW2/28	RW2/29	RW2/30		155
100	RW3/25	RW3/26	RW3/27	RW3/28	RW3/29	RW3/30		185
125	RW4/25	RW4/26	RW4/27	RW4/28	RW4/29	RW4/30		225
150	RW5/25	RW5/26	RW5/27	RW5/28	RW5/29	RW5/30		250



TRADITIONAL ROUND DOWNPIPES AND FITTINGS

Extruded round aluminium downpipes with traditional cast collars which are fully internally welded to the downpipe



63

75

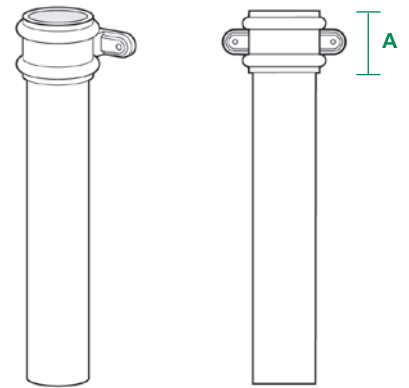
100

150

TRADITIONAL ROUND DOWNPIPES AND FITTINGS

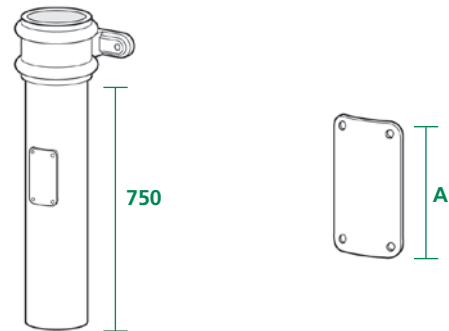
ROUND DOWNPIPES

Pipe (mm)	3mtr	1.8mtr	1.5mtr	1mtr	Other Specify length	Wall Thickness	A
63	RW1T/1	RW1T/3	RW1T/4	RW1T/5	RW1T/6	1.6	76
75	RW2T/1	RW2T/3	RW2T/4	RW2T/5	RW2T/6	1.6	76
100	RW3T/1	RW3T/3	RW3T/4	RW3T/5	RW3T/6	1.6	100
150	RW5T/1	RW5T/3	RW5T/4	RW5T/5	RW5T/6	2.5	112



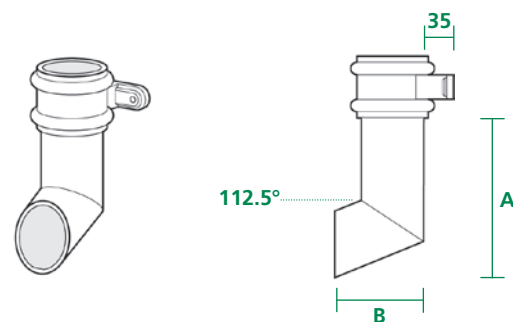
ACCESS PIPES & PLATES

Pipe (mm)	Access Pipe complete with plate	Access Plate	A
63	RW1T/8	RW1T/9	100
75	RW2T/8	RW2T/9	100
100	RW3T/8	RW3T/9	130
150	RW5T/8	RW5T/9	200



SHOES

Pipe (mm)	Shoe	A	B
63	RW1T/10	140	95
75	RW2T/10	155	105
100	RW3T/10	180	130
150	RW5T/10	235	180

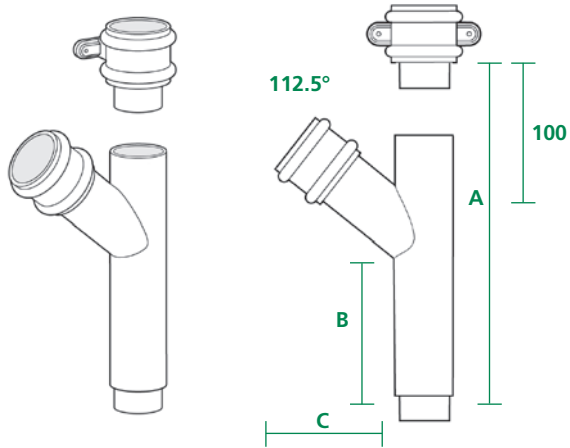


TRADITIONAL ROUND DOWNPIPES AND FITTINGS

BRANCHES

Pipe (mm)	Branch	A	B	C
63	RW1T/11	320	150	140
75	RW2T/11	335	150	145
100	RW3T/11	360	150	155
150	RW5T/11	410	150	205

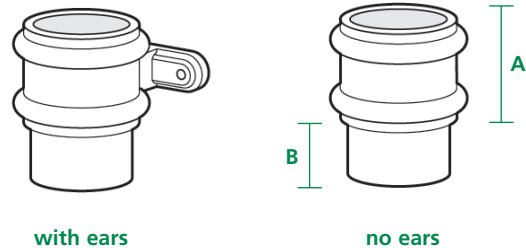
Note: universal branch for left or right hand. If one piece required please state including left or right hand.



CONNECTORS

Pipe (mm)	Connector (no ears)	Connector (ears)	A	B
63	RW1T/12	RW1T/13	76	50
75	RW2T/12	RW2T/13	76	50
100	RW3T/12	RW3T/13	100	50
150	RW5T/12	RW5T/13	112	60

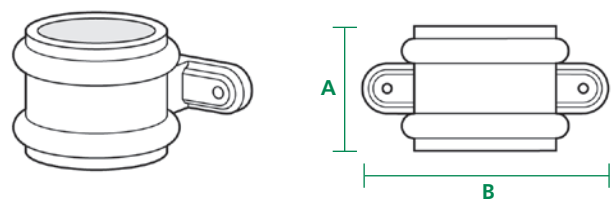
Note: a standard plain connector can also be used



COLLAR BRACKETS

Pipe (mm)	Pipe Clip	A	B
63	RW1T/15	76	140
75	RW2T/15	76	155
100	RW3T/15	100	200
150	RW5T/15	112	235

This item is used in place of a bracket i.e. at the base of the downpipe if no shoe is required

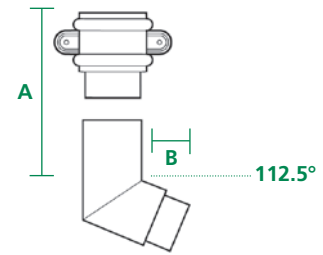
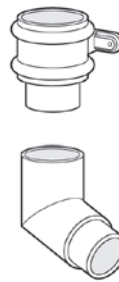


TRADITIONAL ROUND DOWNPIPES AND FITTINGS

BENDS

Pipe (mm)	Bend (no ears)	Bend (ears)	A	B
63	RW1T/21	RW1T/22	125	20
75	RW2T/21	RW2T/22	125	20
100	RW3T/21	RW3T/22	125	20
150	RW5T/21	RW5T/22	125	20

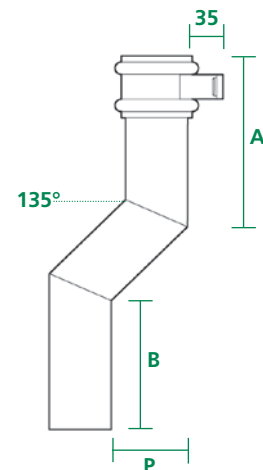
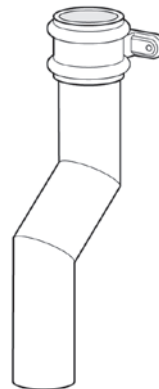
Note: Universal bend for right or left hand. If one piece required please state including if right or left hand.



supplied with ears as standard

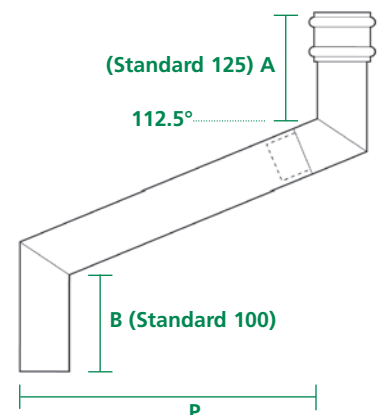
PLINTH OFFSETS

Pipe (mm)	Ref	A	B	P
63	RW1T/23	165	200	Please state size required
75	RW2T/23	170	200	
100	RW3T/23	180	200	
150	RW5T/23	240	200	



SWAN NECKS

Pipe (mm)	one piece State size	Maximum projection of swan necks						Other	Minimum Projection P
		300	450	600	900	1200			
63	RW1T/25	RW1T/26	RW1T/27	RW1T/28	RW1T/29	RW1T/30	Please specify A, B and P, projection angle RW?/31	105	
75	RW2T/25	RW2T/26	RW2T/27	RW2T/28	RW2T/29	RW2T/30		115	
100	RW3T/25	RW3T/26	RW3T/27	RW3T/28	RW3T/29	RW3T/30		130	
150	RW5T/25	RW5T/26	RW5T/27	RW5T/28	RW5T/29	RW5T/30		170	



SQUARE & RECTANGULAR DOWNPIPES AND FITTINGS

Extruded square and rectangular aluminium downpipes with neat plain collars and pipe clips.



75 x 50

75 x 75

100 x 75

100 x 100

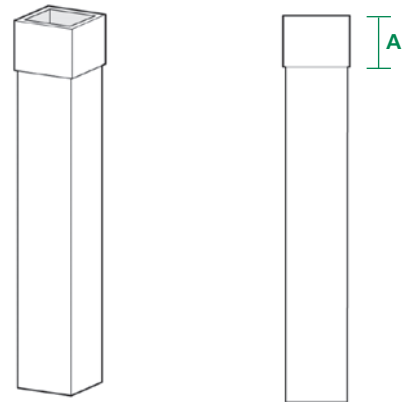
150 x 100

150 x 150

SQUARE & RECTANGULAR DOWNPIPES AND FITTINGS

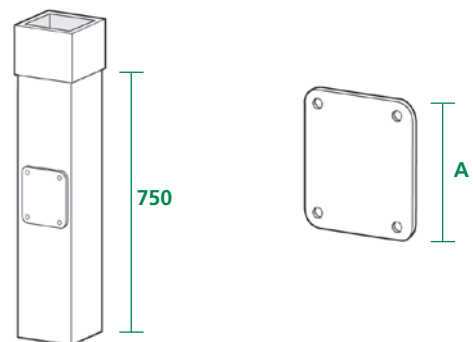
SQUARE & RECTANGULAR DOWNPIPES

Pipe (mm)	3mtr	1.5mtr	1mtr	Other Specify length	Wall Thickness	A
75 x 50	RW32/1	RW32/4	RW32/5	RW32/6	1.6	50
75 x 75	RW33/1	RW33/4	RW33/5	RW33/6	1.6	50
100 x 75	RW43/1	RW43/4	RW43/5	RW43/6	2	60
100 x 100	RW44/1	RW44/4	RW44/5	RW44/6	2	60
150 x 100	RW64/1	RW64/4	RW64/5	RW64/6	2.5	80
150 x 150	RW66/1	RW66/4	RW66/5	RW66/6	3	80



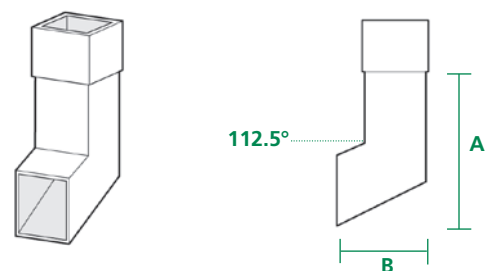
ACCESS PIPES & PLATES

Pipe (mm)	Access Pipe complete with plate	Access Plate	A
75 x 50	RW32/8	RW32/9	100
75 x 75	RW33/8	RW33/9	100
100 x 75	RW43/8	RW43/9	130
100 x 100	RW44/8	RW44/9	130
150 x 100	RW64/8	RW64/9	200
150 x 150	RW66/8	RW66/9	200



SHOES

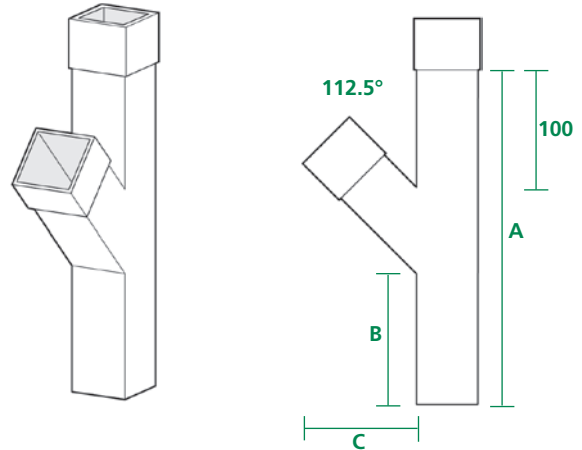
Pipe (mm)	Shoe	A	B
75 x 50	RW32/10	130	80
75 x 75	RW33/10	155	105
100 x 75	RW43/10	155	105
100 x 100	RW44/10	180	130
150 x 100	RW64/10	180	130
150 x 150	RW66/10	235	180



SQUARE & RECTANGULAR DOWNPIPES AND FITTINGS

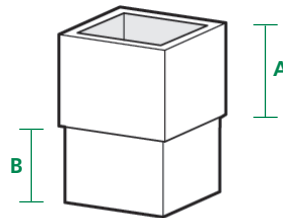
BRANCHES

Pipe (mm)	Branch	A	B	C
75 x 50	RW32/11	335	150	120
75 x 75	RW33/11	335	150	120
100 x 75	RW43/11	360	150	140
100 x 100	RW44/11	360	150	140
150 x 100	RW64/11	410	150	175
150 x 150	RW66/11	410	150	175



CONNECTORS

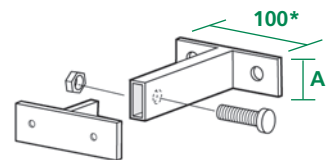
Pipe (mm)	Connector	A	B
75 x 50	RW32/12	50	50
75 x 75	RW33/12	50	50
100 x 75	RW43/12	60	50
100 x 100	RW44/12	60	50
150 x 100	RW64/12	80	60
150 x 150	RW66/12	80	60



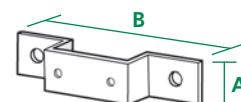
Ground adaptors available

PIPE CLIPS

Pipe (mm)	Pipe Clip	Max 100T Bkt	Max 200T Bkt	Max 300T Bkt	A	B
75 x 50	RW32/16	RW32/17	RW32/18	RW32/19	40	165
75 x 75	RW33/16	RW33/17	RW33/18	RW33/19	40	165
100 x 75	RW43/16	RW43/17	RW43/18	RW43/19	40	185
100 x 100	RW44/16	RW44/17	RW44/18	RW44/19	40	185
150 x 100	RW64/16	RW64/17	RW64/18	RW64/19	40	245
150 x 150	RW66/16	RW66/17	RW66/18	RW66/19	40	245



*(140 on pipes above 100x100)

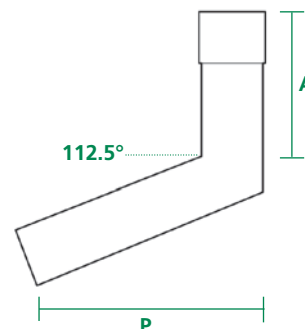
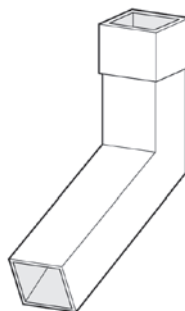


Special brackets available on request

SQUARE & RECTANGULAR DOWNPIPES AND FITTINGS

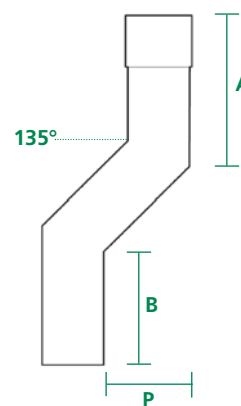
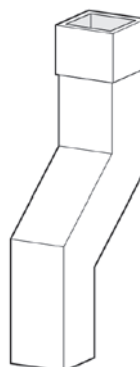
BENDS

Pipe (mm)	Ref	A	P
75 x 50	RW32/21	125	300
75 x 75	RW33/21	125	300
100 x 75	RW43/21	125	300
100 x 100	RW44/21	125	300
150 x 100	RW64/21	125	300
150 x 150	RW66/21	125	300



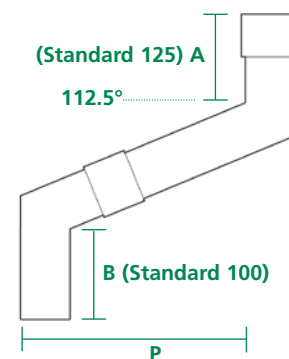
PLINTH OFFSETS

Pipe (mm)	Ref	A	B	P
75 x 50	RW32/23	135	200	Please state size required
75 x 75	RW33/23	145	200	
100 x 75	RW43/23	145	200	
100 x 100	RW44/23	165	200	
150 x 100	RW64/23	165	200	
150 x 150	RW66/23	205	200	



SWAN NECKS

Pipe (mm)	one piece state size	Maximum projection of swan necks					Other	Minimum Projection P
		300	450	600	900	1200		
75 x 50	RW32/25	RW32/26	RW32/27	RW32/28	RW32/29	RW32/30	Please specify A, B and P, projection angle RW?/31	135
75 x 75	RW33/25	RW33/26	RW33/27	RW33/28	RW33/29	RW33/30		155
100 x 75	RW43/25	RW43/26	RW43/27	RW43/28	RW43/29	RW43/30		155
100 x 100	RW44/25	RW44/26	RW44/27	RW44/28	RW44/29	RW44/30		185
150 x 100	RW64/25	RW64/26	RW64/27	RW64/28	RW64/29	RW64/30		185
150 x 150	RW66/25	RW66/26	RW66/27	RW66/28	RW66/29	RW66/30		250



GEORGIAN SQUARE & RECTANGULAR DOWNPIPES AND FITTINGS

Extruded square and rectangular aluminium downpipes with Georgian style cast aluminium collars fully internally welded to the downpipe



75 x 50

75 x 75

100 x 75

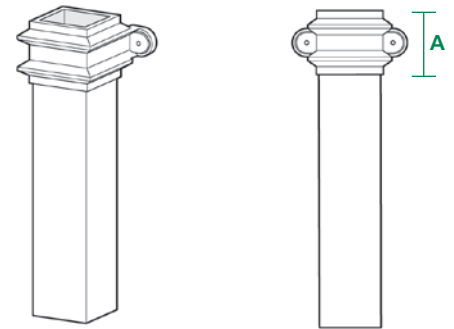
100 x 100

GEORGIAN SQUARE & RECTANGULAR DOWNPIPES AND FITTINGS

SQUARE & RECTANGULAR DOWNPIPES

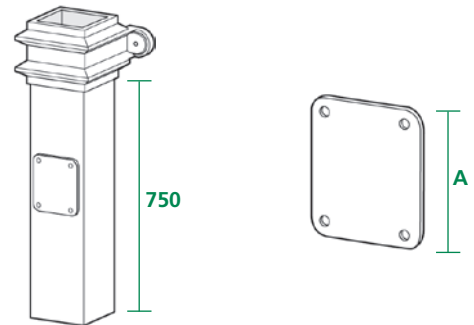
Pipe (mm)	3mtr	1.8mtr	1.5mtr	1mtr	Other Specify length	Wall Thickness	A
75 x 50	RW32G/1	RW32G/3	RW32G/4	RW32G/5	RW32G/6	1.6	85
75 x 75	RW33G/1	RW33G/3	RW33G/4	RW33G/5	RW33G/6	1.6	105
100 x 75	RW43G/1	RW43G/3	RW43G/4	RW43G/5	RW43G/6	2	105
100 x 100	RW44G/1	RW44G/3	RW44G/4	RW44G/5	RW44G/6	2	105

150 x 100 and 150 x 150 available on application



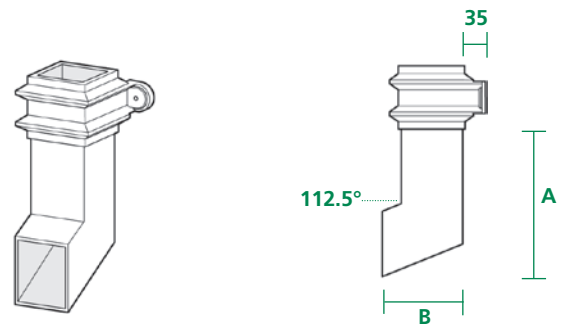
ACCESS PIPES & PLATES

Pipe (mm)	Access Pipe complete with plate	Access Plate	A
75 x 50	RW32G/8	RW32G/9	100
75 x 75	RW33G/8	RW33G/9	100
100 x 75	RW43G/8	RW43G/9	130
100 x 100	RW44G/8	RW44G/9	130



SHOES

Pipe (mm)	Shoe	A	B
75 x 50	RW32G/10	130	80
75 x 75	RW33G/10	155	105
100 x 75	RW43G/10	155	105
100 x 100	RW44G/10	180	130

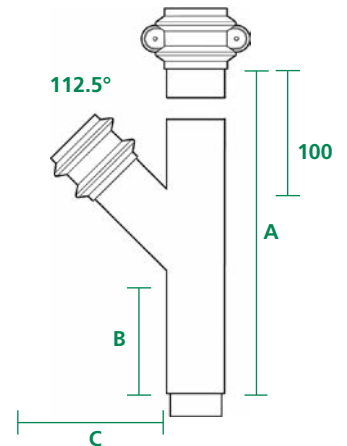
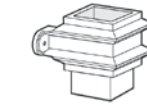


GEORGIAN SQUARE & RECTANGULAR DOWNPIPES AND FITTINGS

BRANCHES

Pipe (mm)	Branch	A	B	C
75 x 50	RW32G/11	335	150	145
75 x 75	RW33G/11	335	150	170
100 x 75	RW43G/11	360	150	190
100 x 100	RW44G/11	360	150	190

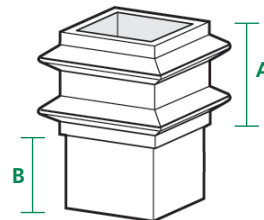
Note: universal branch for left or right hand. If one price required please state including left or right hand.



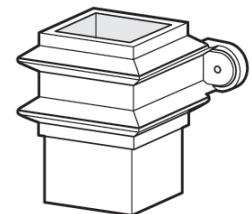
CONNECTORS

Pipe (mm)	Connector (no ears)	Connector (ears)	A	B
75 x 50	RW32G/12	RW32G/13	85	50
75 x 75	RW33G/12	RW33G/13	105	50
100 x 75	RW43G/12	RW43G/13	105	50
100 x 100	RW44G/12	RW44G/13	105	50

Ground adaptors available



no ears

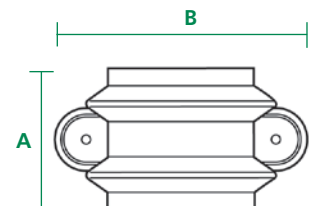
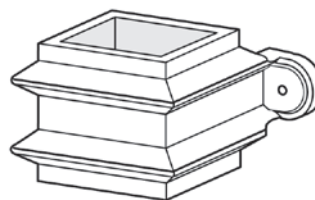


with ears

COLLAR BRACKETS

Pipe (mm)	Pipe Clip	A	B
75 x 50	RW32G/15	85	170
75 x 75	RW33G/15	105	180
100 x 75	RW43G/15	105	205
100 x 100	RW44G/15	105	205

This item is used in place of a bracket i.e. at the base of the downpipe if no shoe is required

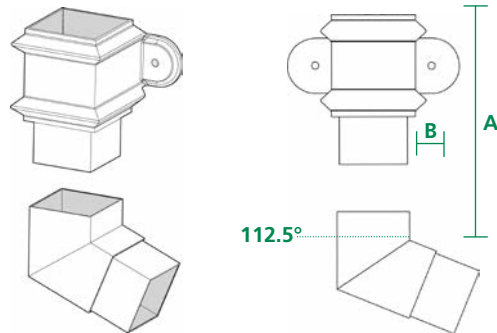


GEORGIAN SQUARE & RECTANGULAR DOWNPIPES AND FITTINGS

BENDS

Pipe (mm)	Bends (no ears)	Bends (ears)	A	B
75 x 50	RW32G/21	RW32G/22	125	20
75 x 75	RW33G/21	RW33G/22	125	20
100 x 75	RW43G/21	RW43G/22	125	20
100 x 100	RW44G/21	RW44G/22	125	20

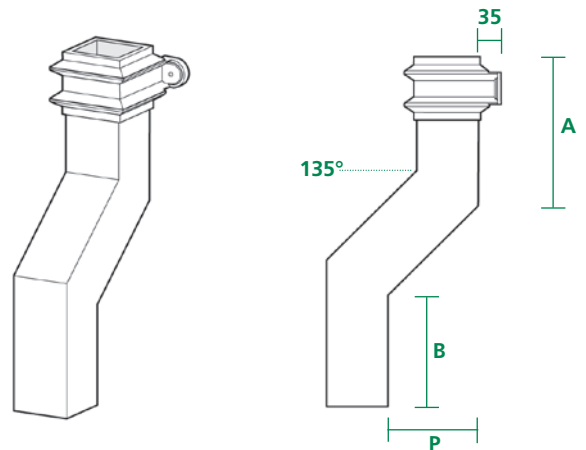
Note: Universal bend for right or left hand. If one piece required please state including if right or left hand.



supplied with ears as standard

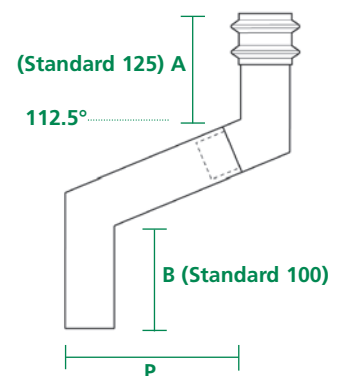
PLINTH OFFSETS

Pipe (mm)	Ref	A	B	P
75 x 50	RW32G/23	170	200	Please state size required
75 x 75	RW33G/23	195	200	
100 x 75	RW43G/23	195	200	
100 x 100	RW44G/23	210	200	



SWAN NECKS

Pipe (mm)	one piece state size	Maximum projection of swan necks					Other	Minimum Projection P
		300	450	600	900	1200		
75 x 50	RW32G/25	RW32G/26	RW32G/27	RW32G/28	RW32G/29	RW32G/30	Please specify A, B and P, projection angle RW?/31	90
75 x 75	RW33G/25	RW33G/26	RW33G/27	RW33G/28	RW33G/29	RW33G/30		115
100 x 75	RW43G/25	RW43G/26	RW43G/27	RW43G/28	RW43G/29	RW43G/30		115
100 x 100	RW44G/25	RW44G/26	RW44G/27	RW44G/28	RW44G/29	RW44G/30		130



HIGH SECURITY DOWNPIPES

A range of downpipes for use where a high level of security is required. Pipes have concealed fixings and are designed to be anti-climb.



75



100



75 x 50



100 x 75

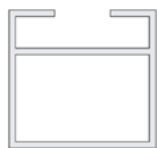
HIGH SECURITY DOWNPIPES

ROUND DOWNPIPES

Pipe (mm)	3mtr	1.5mtr	1mtr	Other Specify length	Wall Thickness	A
75	RW2HS/1	RW2HS/4	RW2HS/5	RW2HS/6	2.5	50
100	RW3HS/1	RW3HS/4	RW3HS/5	RW3HS/6	2.5	50
75 x 50	RW32HS/1	RW32HS/4	RW32HS/5	RW32HS/6	2.5	50
100 x 75	RW43HS/1	RW43HS/4	RW43HS/5	RW43HS/6	2.5	50



round



rectangle

typical high security pipe profiles



ACCESS PIPES & PLATES

Pipe (mm)	Access Pipe complete with plate	Access Plate	A
75	RW2HS/8	RW2HS/9	100
100	RW3HS/8	RW3HS/9	130
75 x 50	RW32HS/8	RW32HS/9	100
100 x 75	RW43HS/8	RW43HS/9	130



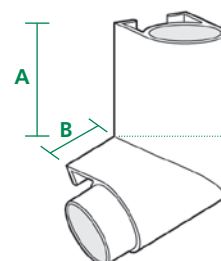
750



A

BENDS

Pipe (mm)	Bends (ears)	A	B
75	RW2HS/21	100	25
100	RW3HS/21	100	25
75 x 50	RW32HS/21	100	25
100 x 75	RW43HS/21	100	25

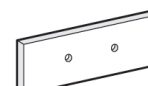


112.5°

When ordering Bends please state Left/Right/Front or Back

PIPE BRACKETS

Pipe (mm)	75	100	75 x 50	100 x 75
	RW2HS/16	RW3HS/16	RW32HS/16	RW43HS/16

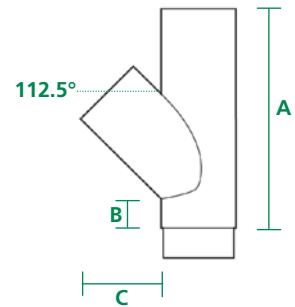
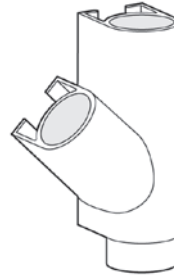


HIGH SECURITY DOWNPIPES

BRANCHES

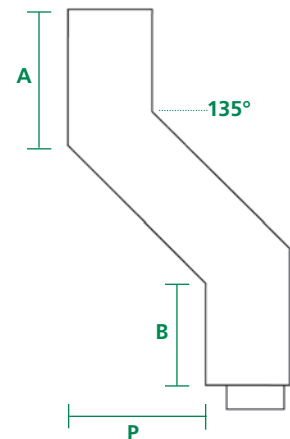
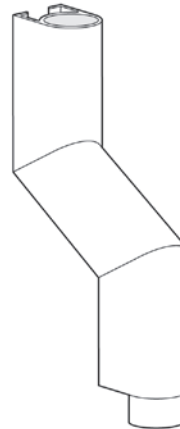
Pipe (mm)	Branch	A	B	C
75	RW2HS/11	235	50	70
100	RW3HS/11	260	50	80
75 x 50	RW32HS/11	235	50	70
100 x 75	RW43HS/11	260	50	80

When ordering Branches please state Left or Right



PLINTH OFFSETS

Pipe (mm)	Ref	A	B	P
75	RW2HS/23	200	200	?
100	RW3HS/23	200	200	?
75 x 50	RW32HS/23	200	200	?
100 x 75	RW43HS/23	200	200	?



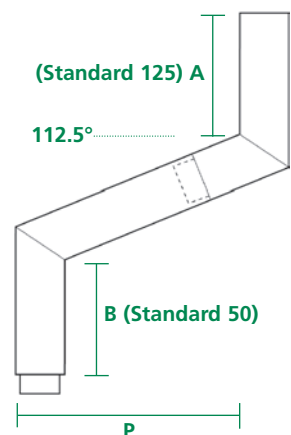
SWAN NECKS

Pipe (mm)	one piece	Maximum projection of swan necks						Other	Minimum Projection P
	300	300	450	600	900	1200			
75	RW2HS/25	RW2HS/26	RW2HS/27	RW2HS/28	RW2HS/29	RW2HS/30	Please specify A, B and P, projection angle	90	
100	RW3HS/25	RW3HS/26	RW3HS/27	RW3HS/28	RW3HS/29	RW3HS/30		115	
75 x 50	RW32HS/25	RW32HS/26	RW32HS/27	RW32HS/28	RW32HS/29	RW32HS/30		115	
100 x 75	RW43HS/25	RW43HS/26	RW43HS/27	RW43HS/28	RW43HS/29	RW43HS/30		130	

Square swan necks can be used with rectangular pipes to give increased flow



typical swan neck profiles



STANDARD HOPPERS

Our Standard Hoppers in die cast aluminium



RECTANGULAR
RWH207



FLUTED
RWH200 (Small) RWH201 (Large)



CONICAL
RWH203



ORNATE
*RWH209

STANDARD HOPPERS					
Code RWH	H/T	W	D	MAX Ø	MAX □
200	195	265	205	75	N/A
201	230	295	230	100	75 x 75
203	205	265	225	100	100 x 100
207	185	270	180	150	150 x 150
209	190	400	180	150	150 x 150

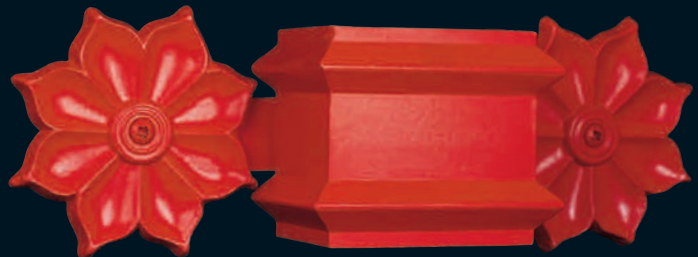
FABRICATED HOPPERS

CAN BE MANUFACTURED TO YOUR REQUIREMENTS

*RWH209 - Also available with No Motif or at extra cost, other motifs, dates etc.

FEATURE DOWNPIPE BRACKETS

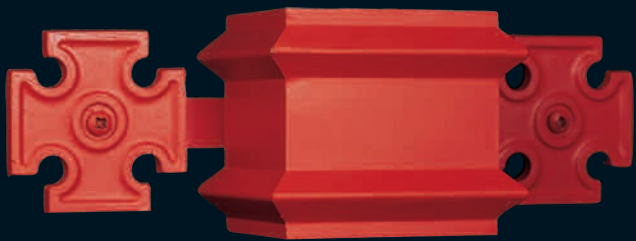
A range of cast aluminium feature brackets which compliment our Georgian and Traditional Downpipes. Other designs can be made to order.



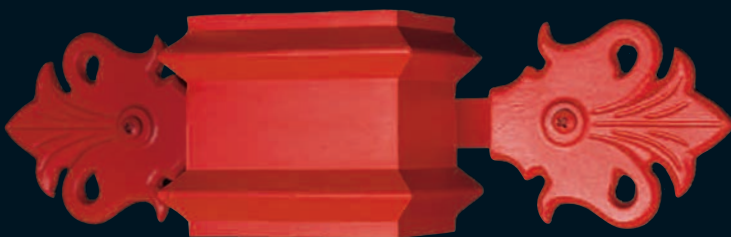
FLORAL



CLOVER LEAF



MALTESE CROSS



FLEUR DE LYS



RAMSHORN

DECORATIVE RAINWATER HOPPER HEADS IN CAST ALUMINIUM

Code				Max	Max
RWH	HT	W	D	Round Pipe	Sq/Rect Pipe
210	480	460	210	100	75X75
211	460	435	200	75	75X75
212	440	410	250	100	n/a
213	390	450	190	100	75X75
214	145	420	145	100	100X75
215	260	300	170	75	100X75
216	400	385	240	100	150X100
217	375	445	175	75	75X75
218	320	490	285	100	100X75
219	380	380	260	75	100X75
220	350	360	165	75	75X75
221	460	440	270	75	100X75
222	380	480	215	100	100X100
223	130	310	165	100	100X75
224	330	450	265	100	100X100
225	330	450	265	100	75X75
226	190	495	270	150	150X150
227	350	385	170	100	150X100
228	335	425	165	125	150X100
229	425	390	230	125	100X100
230	290	430	260	100	75X75
231	560	290	205	100	100X100
232	645	315	200	100	150X100
233	260	345	165	75	75X75
234	235	220	170	75	75X75
235	305	350	215	100	75X75
234	235	220	170	75	75X75
235	305	350	215	100	75X75
236	290	270	200	75	100X75
237	380	445	180	100	100X100
238	480	900	230	100	100X100



RWH210



RWH211



RWH212



RWH217



RWH218



RWH219



RWH224



RWH225



RWH226



RWH232



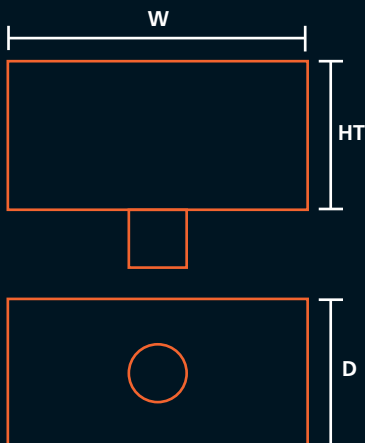
RWH233



RWH234



RWH235

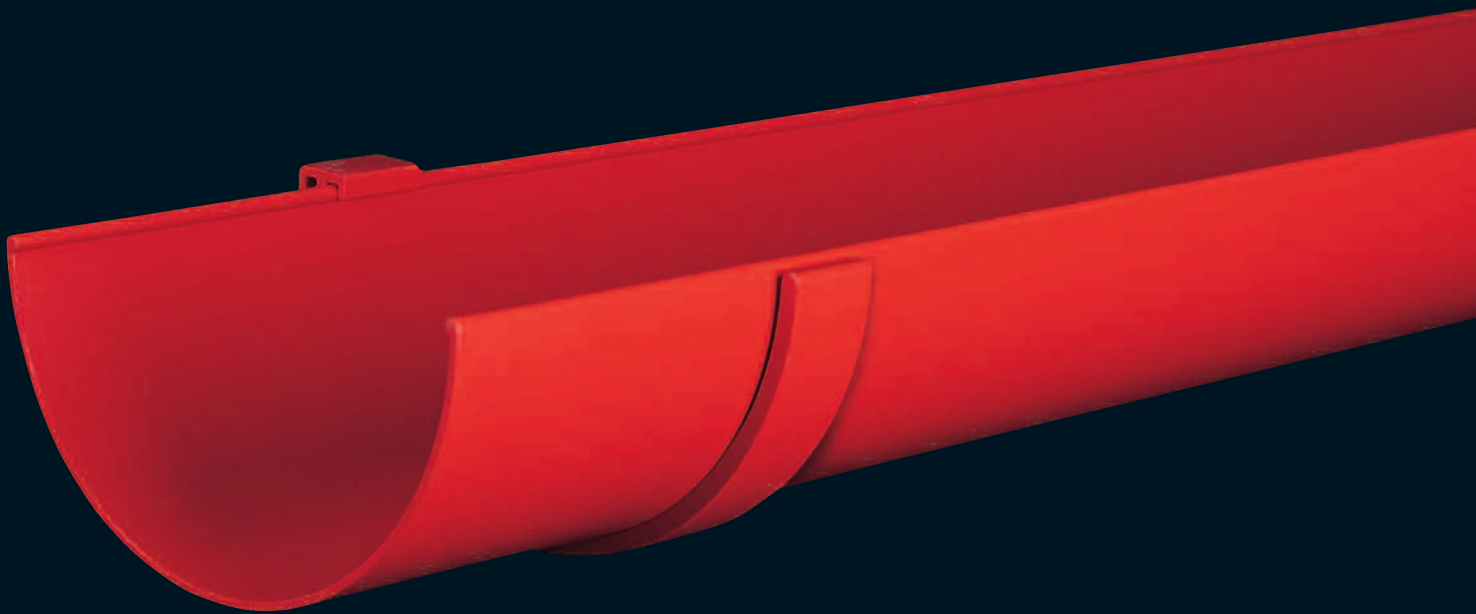


*A range of cast aluminium Hopper heads.
Specials can be manufactured to replicate original or new designs.*

**RWH213****RWH214****RWH215****RWH216****RWH220****RWH221****RWH222****RWH223****RWH227****RWH228****RWH229****RWH230****RWH231****RWH236****RWH237****RWH238**

HALF ROUND GUTTERS & FITTINGS

*Extruded aluminium Half Round gutters.
Larger sizes can be manufactured in pressed aluminium.*



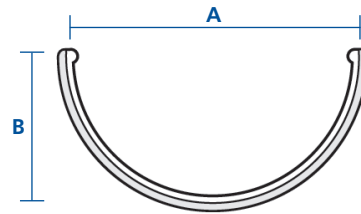
HALF ROUND GUTTERS AND FITTINGS

STANDARD GUTTER LENGTHS

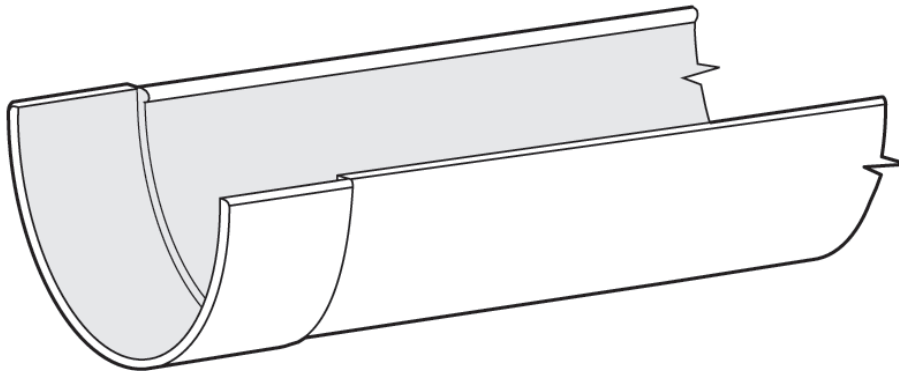
Gutter (mm)	3mtr	1.8mtr	A (mm)	B (mm)	Material Thickness
100	HR1/1	HR1/2	100	50	2
115	HR2/1	HR2/2	115	57.5	2
130	HR3/1	HR3/2	130	65	2
150	HR4/1	HR4/2	150	75	2.5

200mm Available to Order

Other sizes manufactured as required

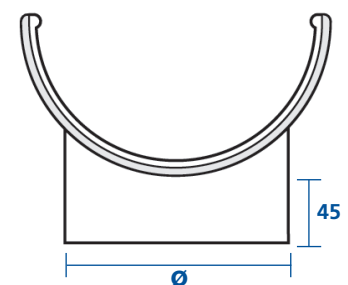
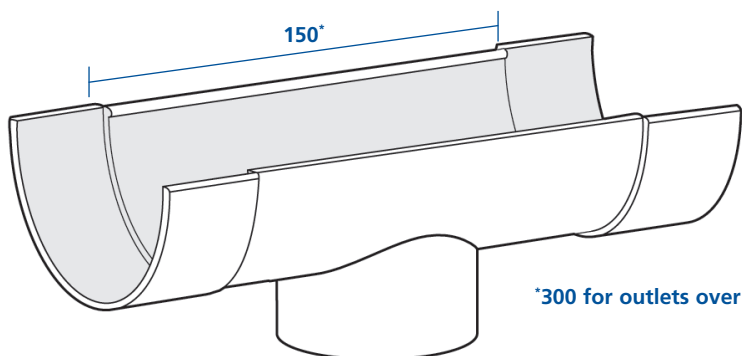


Standard 1.8m and 3m Lengths



OUTLETS

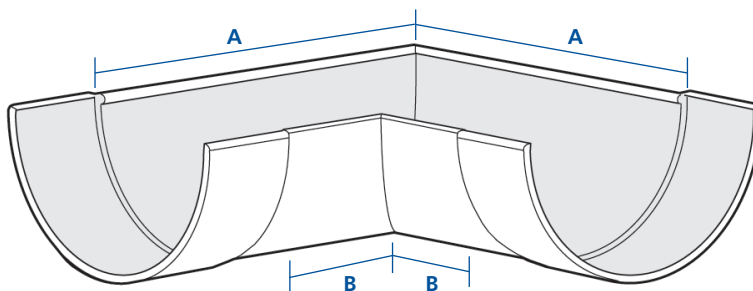
Gutter (mm)	Round			Square and Rectangular			
	63 Ø	75 Ø	100 Ø	75x50	75x75	100x75	100x100
100	HR1/13	HR1/14	—	HR1/18	HR1/19	HR1/20	—
115	HR2/13	HR2/14	HR2/15	HR2/18	HR2/19	HR2/20	HR2/21
130	HR3/13	HR3/14	HR3/15	HR3/18	HR3/19	HR3/20	HR3/21
150	HR4/13	HR4/14	HR4/15	HR4/18	HR4/19	HR4/20	HR4/21



HALF ROUND GUTTERS AND FITTINGS

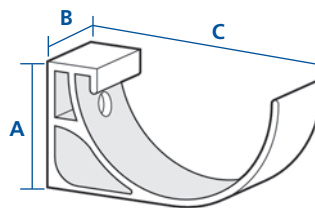
ANGLES - INTERNAL AND EXTERNAL

Gutter (mm)	90°			135°			Irregular angle	
		A (mm)	B (mm)		A (mm)	B (mm)		When ordering an Irregular Angle, state Ref No. and actual Fascia Angle & note that A+B lengths vary subject to angle
100	HR1/3	130	30	HR1/5	70	30	HR1/7	
115	HR2/3	150	30	HR2/5	75	30	HR2/7	
130	HR3/3	160	30	HR3/5	85	30	HR3/7	
150	HR4/3	180	30	HR4/5	90	30	HR4/7	



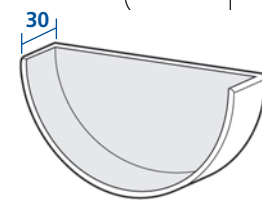
FASCIA BRACKETS

Gutter (mm)	Bracket	A (mm)	B (mm)	C (mm)
100	HR1/28	57	30	114
115	HR2/28	65	30	130
130	HR3/28	73	30	145
150	HR4/28	83	30	166



STOP ENDS

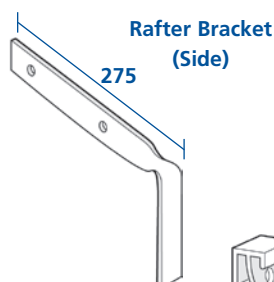
Gutter (mm)	Stop End
100	HR1/9
115	HR2/9
130	HR3/9
150	HR4/9



External Stop End

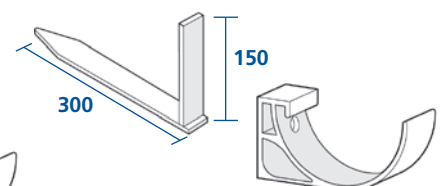
RAFTER & MORTAR BRACKETS

Gutter (mm)	Side Rafter	*Top Rafter	Mortar Bracket
100	HR1/29	HR1/30	HR1/31
115	HR2/29	HR2/30	HR2/31
130	HR3/29	HR3/30	HR3/31
150	HR4/29	HR4/30	HR4/31



Rafter Bracket (Side)

Mortar Bracket (Standard sizes)

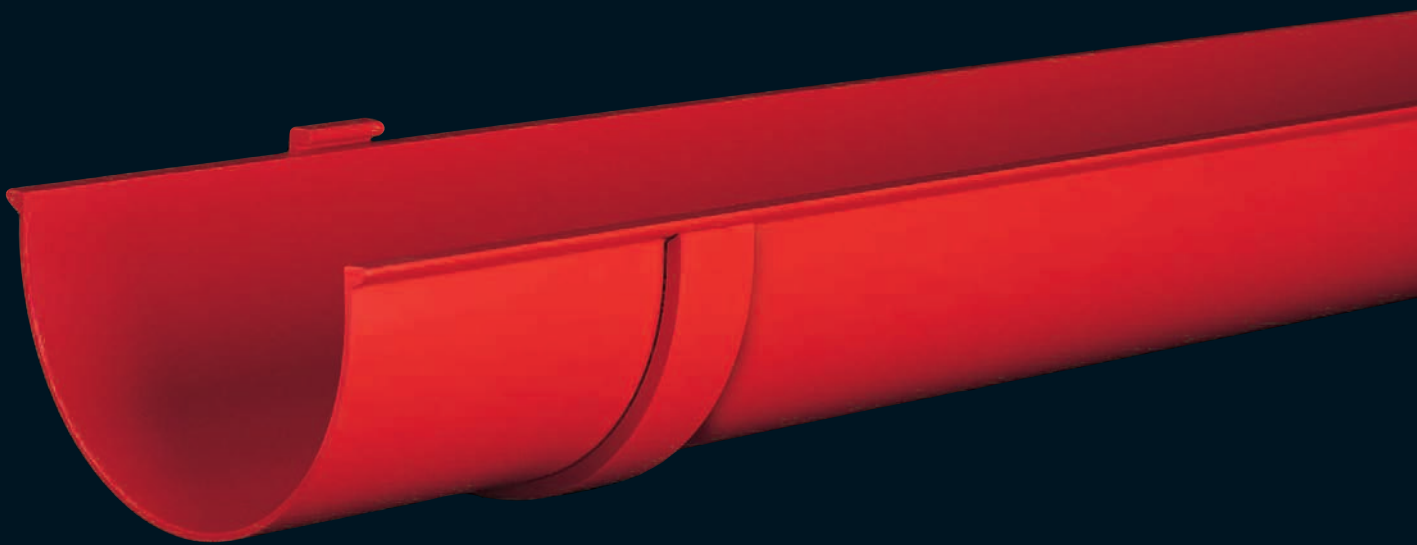


Special brackets on request

*We advise against the use of Top Rafter Brackets.

BEADED DEEP FLOW GUTTERS & FITTINGS

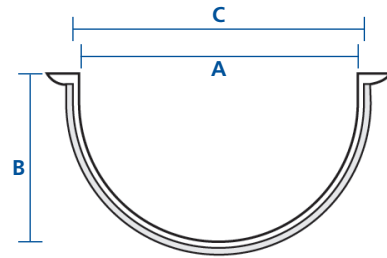
Extruded aluminium Beaded Deep Flow gutters with welded external collars



BEADED DEEP FLOW GUTTERS & FITTINGS

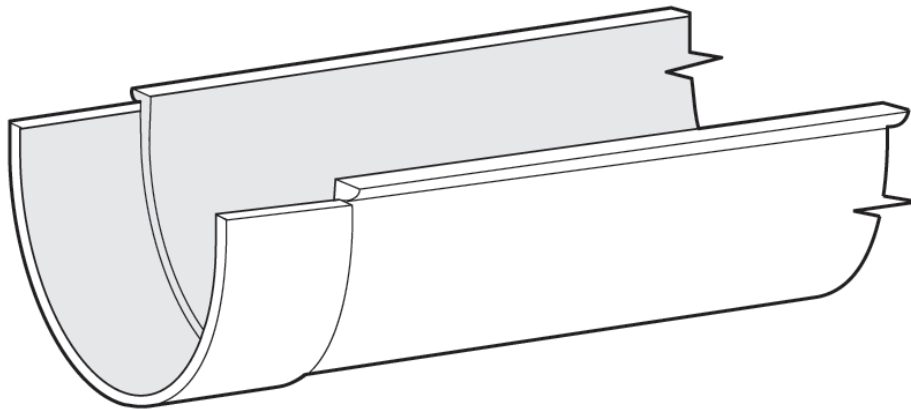
STANDARD GUTTER LENGTHS

Gutter (mm)	3mtr	1.8mtr	A (mm)	B (mm)	C (mm)	Material Thickness
100	BDF1/1	BDF1/2	100	60	114	2
125	BDF2/1	BDF2/2	125	75	140	2.5
150	BDF3/1	BDF3/2	150	90	171	2.75



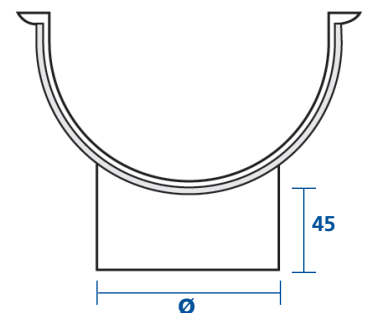
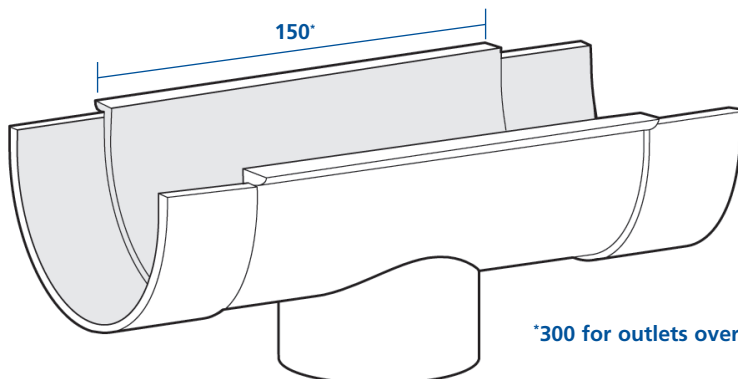
Standard 1.8m and 3m Lengths

Other sizes manufactured as required



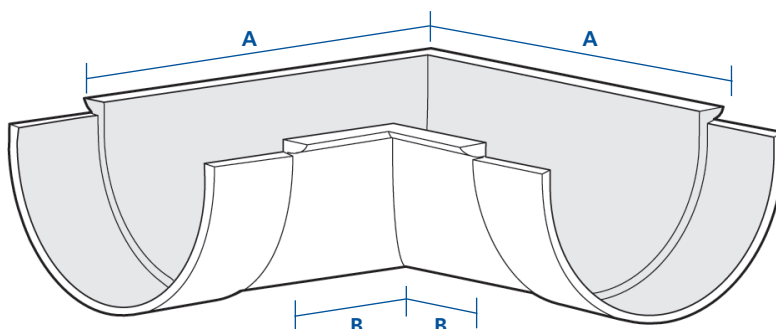
OUTLETS

Gutter (mm)	Round				Square and Rectangular				
	63 Ø	75 Ø	100 Ø	125 Ø	75x50	75x75	100x75	100x100	150x100
100	BDF1/13	BDF1/14	—	—	BDF1/18	BDF1/19	BDF1/20	—	—
125	BDF2/13	BDF2/14	BDF2/15	—	BDF2/18	BDF2/19	BDF2/20	BDF2/21	BDF2/22
150	BDF3/13	BDF3/14	BDF3/15	BDF3/16	BDF3/18	BDF3/19	BDF3/20	BDF3/21	BDF3/22



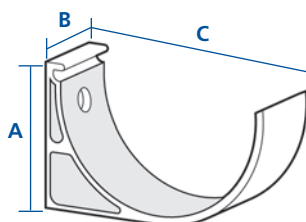
• ANGLES - INTERNAL AND EXTERNAL

Gutter (mm)	90°			135°			Irregular angle	
	Part No.	A (mm)	B (mm)	Part No.	A (mm)	B (mm)	Part No.	When ordering an Irregular Angle, state Ref No. and actual Fascia Angle & note that A+B lengths vary subject to angle
100	BDF1/3	145	30	BDF1/5	75	30	BDF1/7	
125	BDF2/3	155	30	BDF2/5	85	30	BDF2/7	
150	BDF3/3	200	30	BDF3/5	95	30	BDF3/7	



• FASCIA BRACKETS

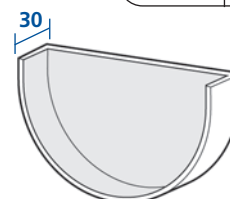
Gutter (mm)	Bracket	A (mm)	B (mm)	C (mm)
100	BDF1/28	70	30	118
125	BDF2/28	87	30	144
150	BDF3/28	105	30	177



• STOP ENDS

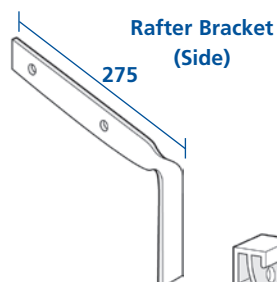
Gutter (mm)	Stop End
100	BDF1/9
125	BDF2/9
150	BDF3/9

External Stop Ends

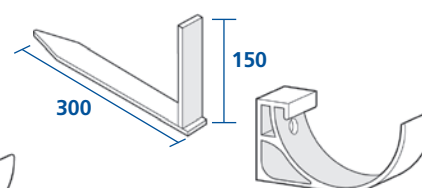


• RAFTER & MORTAR BRACKETS

Gutter (mm)	Side Rafter	*Top Rafter	Mortar Bracket
100	BDF1/29	BDF1/30	BDF1/31
125	BDF2/29	BDF2/30	BDF2/31
150	BDF3/29	BDF3/30	BDF3/31



Mortar Bracket (Standard sizes)



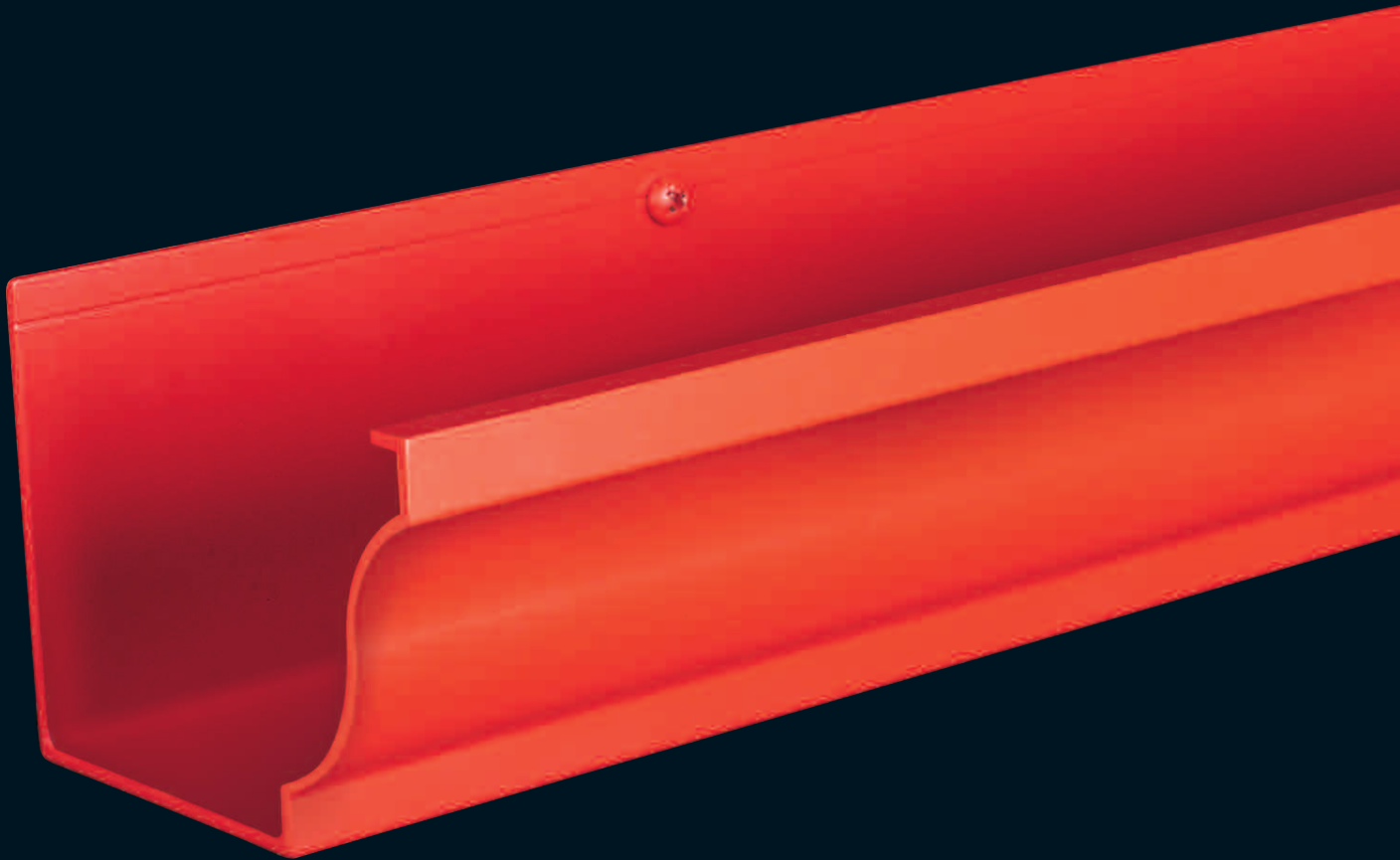
Special brackets on request

*We advise against the use of Top Rafter Brackets.

MOULDED OGEE (Type 46)

SMALL SIZES

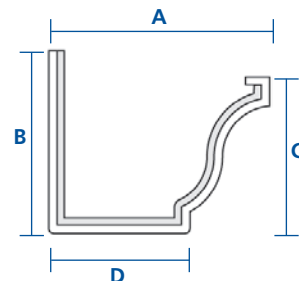
Extruded aluminium Moulded Ogee gutters with internal welded buttstraps and holes for direct back fixing.



MOULDED OGEE (Type 46) small sizes

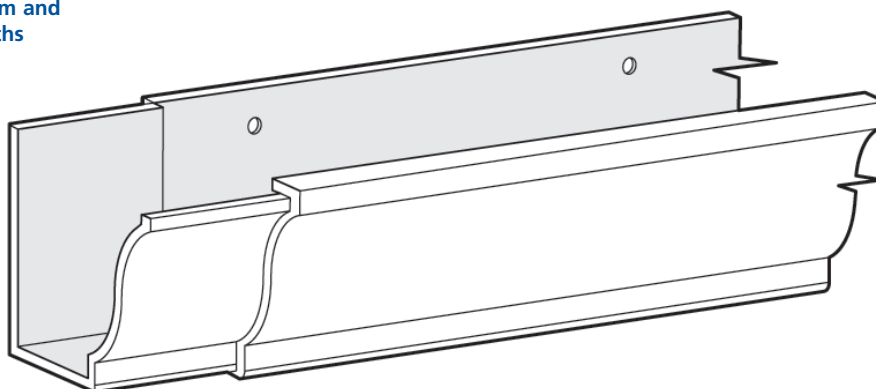
STANDARD GUTTER LENGTHS

Gutter (mm)	3mtr	1.8mtr	A (mm)	B (mm)	C (mm)	D (mm)	Material Thickness
100 x 75	MOG1/1	MOG1/2	100	80	75	67	2.25
125 x 100	MOG2/1	MOG2/2	125	105	100	84	2.5
150 x 100	MOG3/1	MOG3/2	150	110	100	100	3



Wider or deeper gutters manufactured to size required

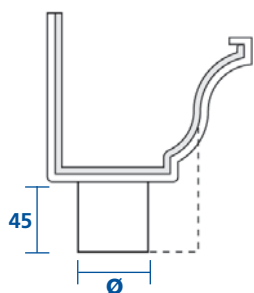
Standard 1.8m and 3m Lengths



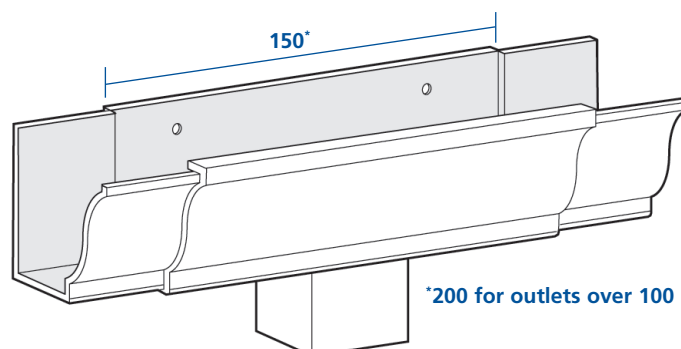
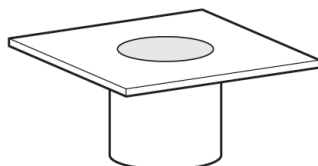
OUTLETS

Gutter (mm)	Round					Square and Rectangular					
	63 Ø	75 Ø	100 Ø	125 Ø	150 Ø	75x50	75x75	100x75	100x100	150x100	150x150
100 x 75	MOG1/13	MOG1/14	—	—	—	MOG1/18	MOG1/19	MOG1/20	—	—	—
125 x 100	MOG2/13*	MOG2/14	MOG2/15	—	—	MOG2/18*	MOG2/19	MOG2/20	MOG2/21	MOG2/22	—
150 x 100	MOG3/13*	MOG3/14*	MOG3/15	MOG3/16	—	MOG3/18*	MOG3/19*	MOG3/20*	MOG3/21	MOG3/22	—

* indicates a sleeve outlet can be used in place of Running Outlets giving increased flexibility and cost efficiency



Sleeve outlet

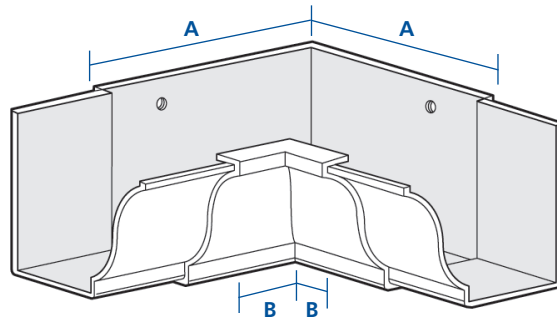


MOULDED OGEE (Type 46) *small sizes*

ANGLES - INTERNAL AND EXTERNAL

Gutter (mm)	90° External			90° Internal			135° External			135° Internal		
		A (mm)	B (mm)		A (mm)	B (mm)		A (mm)	B (mm)		A (mm)	B (mm)
100 x 75	MOG1/3	30	130	MOG1/4	130	30	MOG1/5	30	70	MOG1/6	70	30
125 x 100	MOG2/3	30	155	MOG2/4	155	30	MOG2/5	30	80	MOG2/6	80	30
150 x 100	MOG3/3	30	180	MOG3/4	180	30	MOG3/5	30	90	MOG3/6	90	30

Gutter (mm)	Irregular angle		When ordering an Irregular Angle, state Ref No. and actual Fascia Angle & note that A+B lengths vary subject to angle
	External	Internal	
100 x 75	MOG1/7	MOG1/8	
125 x 100	MOG2/7	MOG2/8	
150 x 100	MOG3/7	MOG3/8	

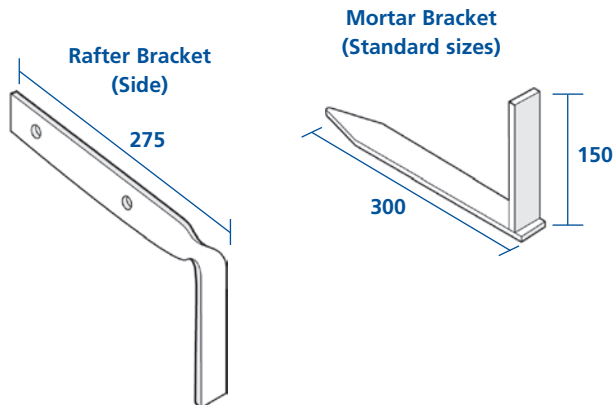


BRACKETS

Gutter (mm)	Side Rafter	*Top Rafter	Mortar Bracket
100 x 75	MOG1/29	MOG1/30	MOG1/31
125 x 100	MOG2/29	MOG2/30	MOG2/31
150 x 100	MOG3/29	MOG3/30	MOG3/31

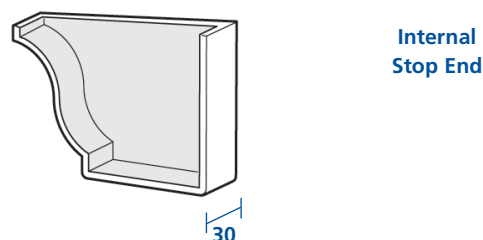
Special brackets on request

*We advise against the use of Top Rafter Brackets.



STOP ENDS

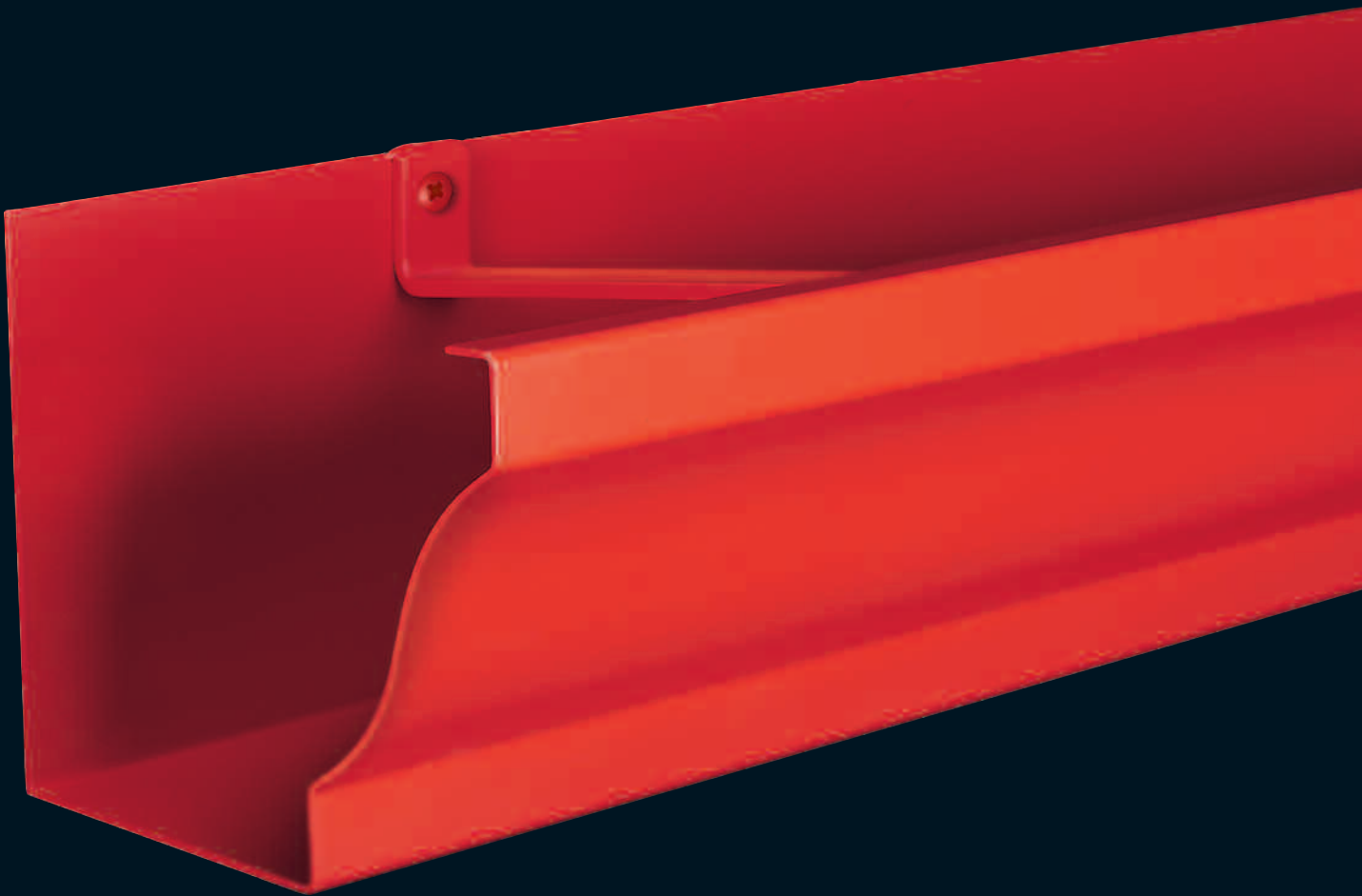
Gutter (mm)	R/H STOP END	L/H STOP END
100 x 75	MOG1/10	MOG1/11
125 x 100	MOG2/10	MOG2/11
150 x 100	MOG3/10	MOG3/11



MOULDED OGEE (Type 46)

LARGE SIZES

Pressed aluminium Moulded Ogee gutters formed with true curves to front face. These can be made to standard or non-standard sizes, the gutters have welded internal buttstraps and welded internal cross braces which include holes for direct back fixing.



175 x 125



200 x 150



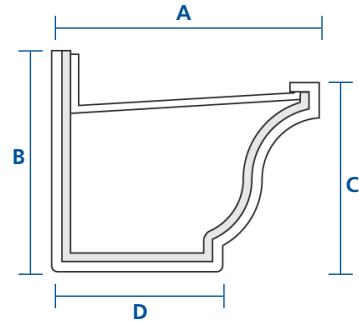
300 x 200



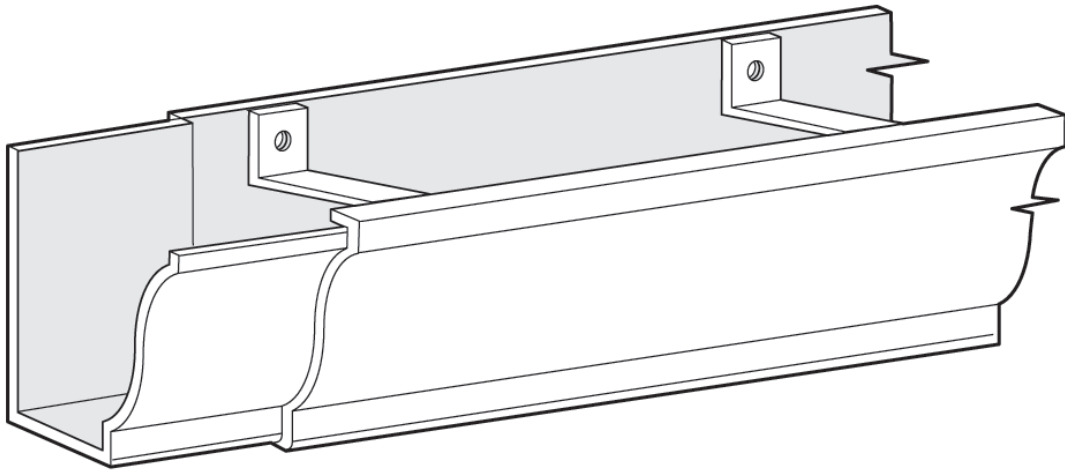
MOULDED OGEE (Type 46) large sizes

STANDARD GUTTER LENGTHS

Gutter (mm)	3mtr	1.5mtr	A (mm)	B (mm)	C (mm)	D (mm)	Material Thickness
175 x 125	MOG4/1	MOG4/2	175	135	125	115	2
200 x 150	MOG5/1	MOG5/2	200	160	150	135	2
300 x 200	MOG6/1	MOG6/2	300	220	200	200	2



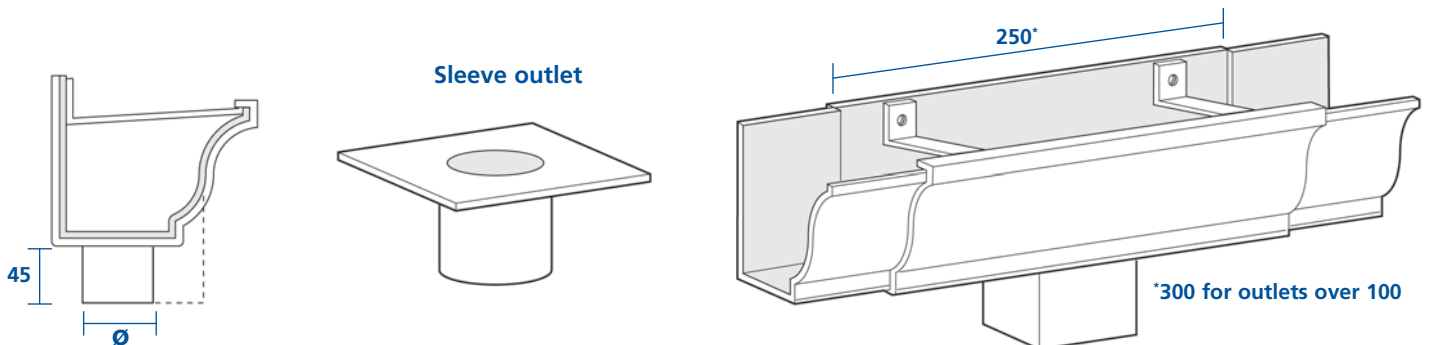
Wider or deeper gutters manufactured to size required



OUTLETS

Gutter (mm)	Round					Square and Rectangular					
	63 Ø	75 Ø	100 Ø	125 Ø	150 Ø	75x50	75x75	100x75	100x100	150x100	150x150
175 x 125	*MOG4/13	*MOG4/14	*MOG4/15	MOG4/16	MOG4/17	*MOG4/18	*MOG4/19	*MOG4/20	*MOG4/21	MOG4/22	MOG4/23
200 x 150	*MOG5/13	*MOG5/14	*MOG5/15	*MOG5/16	MOG5/17	*MOG5/18	*MOG5/19	*MOG5/20	*MOG5/21	*MOG5/22	MOG5/23
300 x 200	*MOG6/13	*MOG6/14	*MOG6/15	*MOG6/16	*MOG6/17	*MOG6/18	*MOG6/19	*MOG6/20	*MOG6/21	*MOG4/22	*MOG4/23

* indicates a sleeve outlet can be used in place of Running Outlets giving increased flexibility and cost efficiency

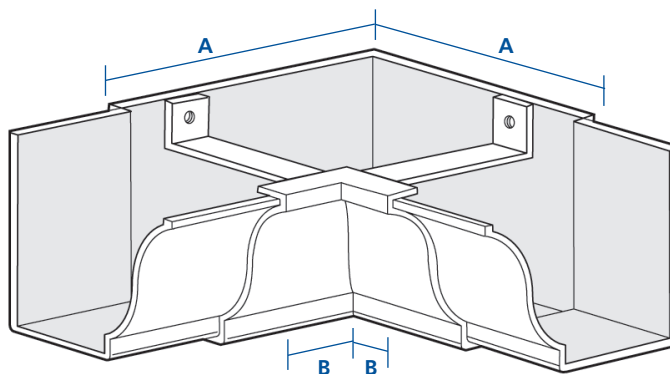


MOULDED OGEE (Type 46) large sizes

• ANGLES - INTERNAL AND EXTERNAL

Gutter (mm)	90° External		90° Internal			135° External			135° Internal			
		A (mm)	B (mm)		A (mm)	B (mm)		A (mm)	B (mm)		A (mm)	B (mm)
175 x 125	MOG4/3	150	325	MOG4/4	325	150	MOG4/5	150	220	MOG4/6	220	150
200 x 150	MOG5/3	150	350	MOG5/4	350	150	MOG5/5	150	230	MOG5/6	230	150
300 x 200	MOG6/3	150	450	MOG6/4	450	150	MOG6/5	150	265	MOG6/6	265	150

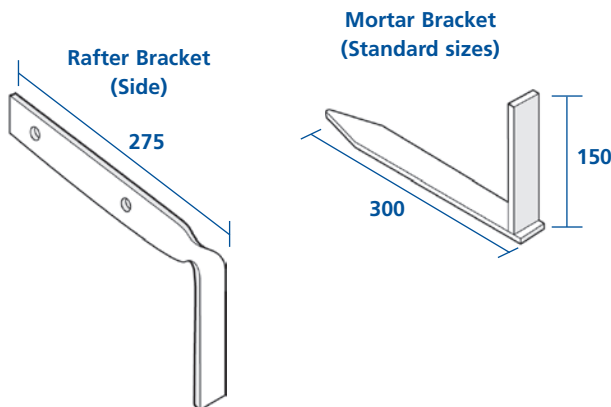
Gutter (mm)	Irregular angle		When ordering an Irregular Angle, state Ref No. and actual Fascia Angle & note that A+B lengths vary subject to angle
	External	Internal	
175 x 125	MOG4/7	MOG4/8	
200 x 150	MOG5/7	MOG5/8	
300 x 200	MOG6/7	MOG6/8	



• BRACKETS

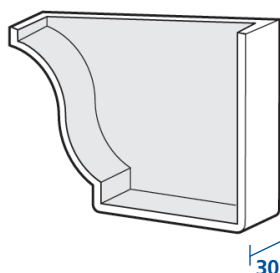
Gutter (mm)	Side Rafter	*Top Rafter	Mortar Bracket
*175 x 125	MOG4/29	MOG4/30	MOG4/31
*200 x 150	MOG5/29	MOG5/30	MOG5/31
*300 x 200	MOG6/29	MOG6/30	MOG6/31

* We recommend that gutters of these sizes should be directly fixed and not bracketed, in any instance we advise against the use of *Top Rafter Brackets.



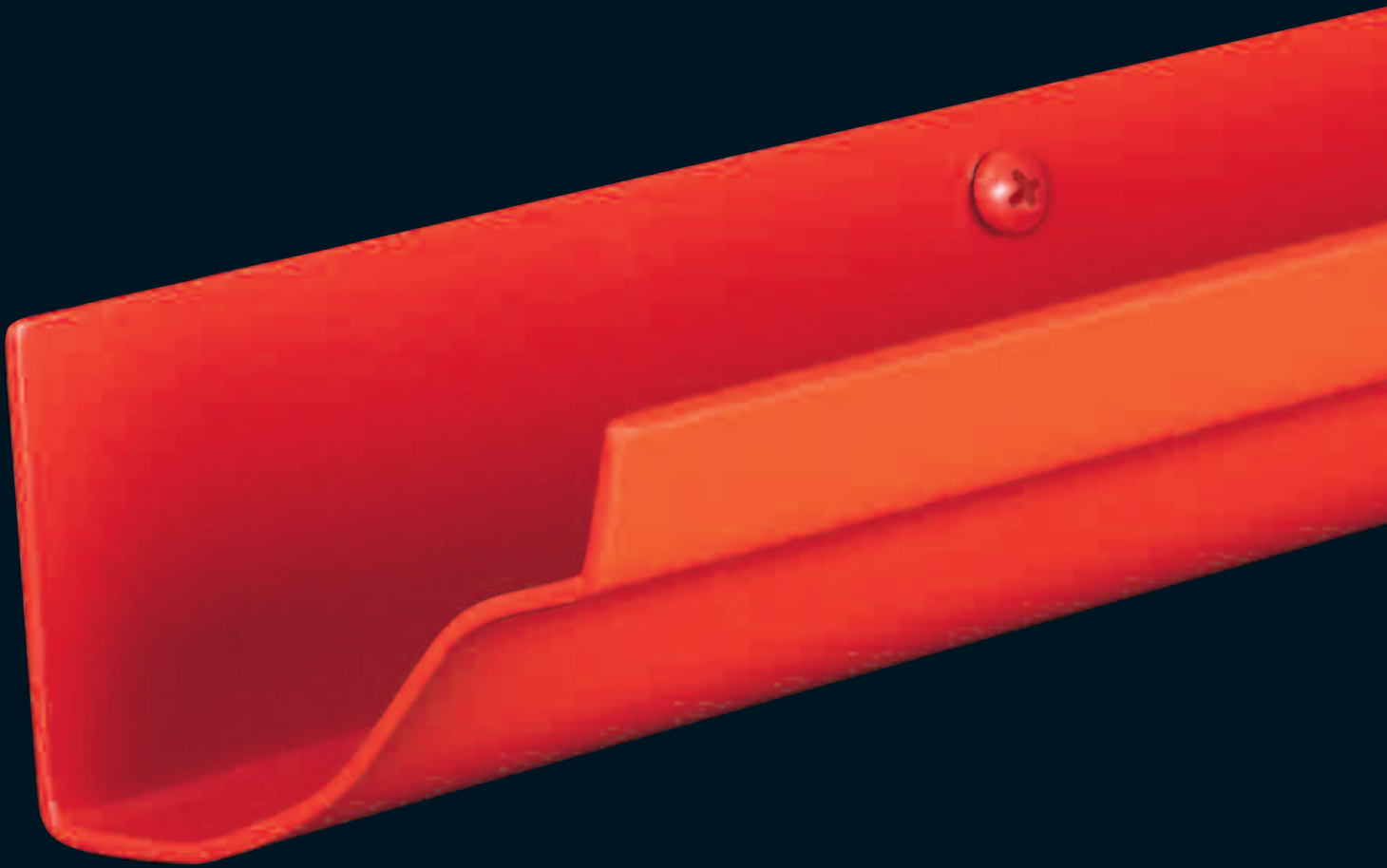
• STOP ENDS

Gutter (mm)	R/H STOP END	L/H STOP END
175 x 125	MOG4/10	MOG4/11
200 x 150	MOG5/10	MOG5/11
300 x 200	MOG6/10	MOG6/11

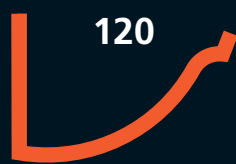


VICTORIAN OGEE GUTTERS & FITTINGS

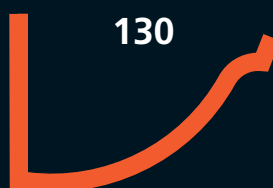
*A range of aluminium Victorian Ogee gutters.
These can be made to non-standard sizes, the gutters have external
collars and holes for direct back fixing.*



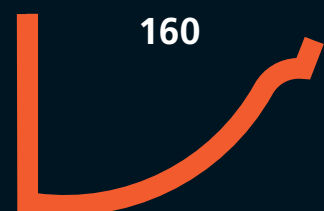
110



120



130

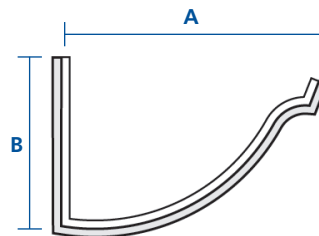


160

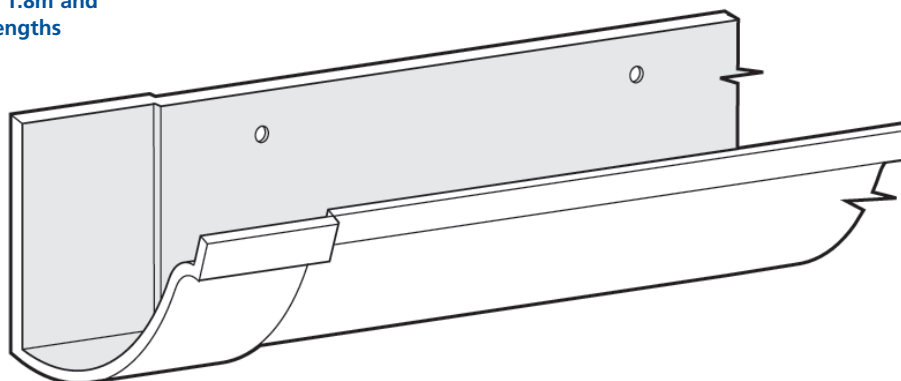
VICTORIAN OGEE GUTTERS & FITTINGS

STANDARD GUTTER LENGTHS

Gutter (mm)	3mtr	1.8mtr	A (mm)	B (mm)	Material Thickness
110	VOG1/1	VOG1/2	108	54	2.5
120	VOG2/1	VOG2/2	121	60	2.5
130	VOG3/1	VOG3/2	133	68	2.5
160	VOG4/1	VOG4/2	160	82	2.5

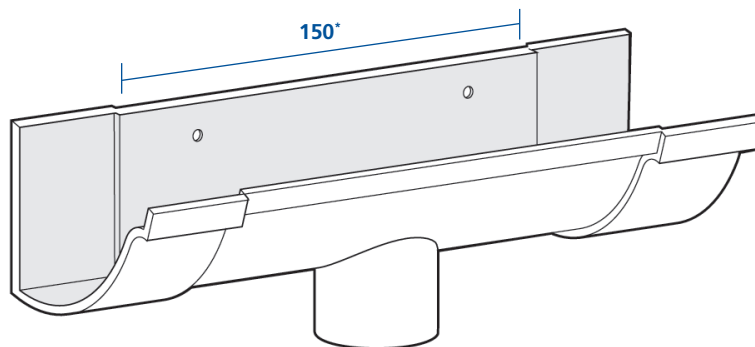
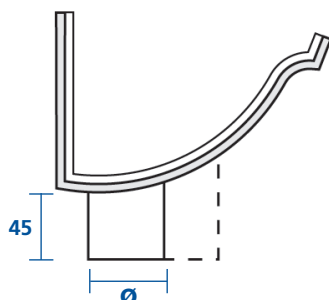


Standard 1.8m and 3m Lengths



OUTLETS

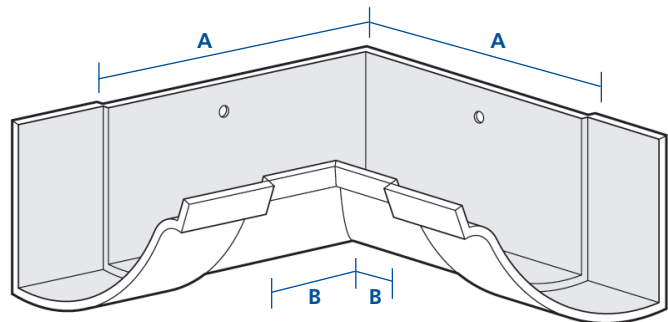
Gutter (mm)	Round			Square and Rectangular			
	63 Ø	75 Ø	100 Ø	75x50	75x75	100x75	100x100
110	VOG1/13	VOG1/14	—	VOG1/18	VOG1/19	VOG1/20	—
120	VOG2/13	VOG2/14	—	VOG2/18	VOG2/19	VOG2/20	—
130	VOG3/13	VOG3/14	VOG3/15	VOG3/18	VOG3/19	VOG3/20	VOG3/21
160	VOG4/13	VOG4/14	VOG4/15	VOG4/18	VOG4/19	VOG4/20	VOG4/21



ANGLES - INTERNAL AND EXTERNAL

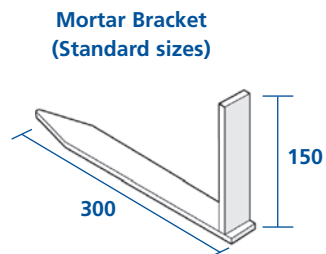
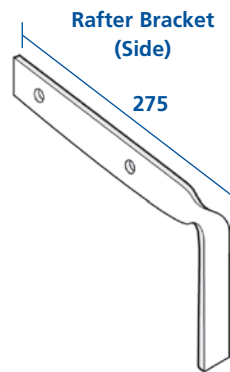
Gutter (mm)	90° External			90° Internal			135° External			135° Internal		
		A (mm)	B (mm)		A (mm)	B (mm)		A (mm)	B (mm)		A (mm)	B (mm)
110	VOG1/3	30	140	VOG1/4	140	30	VOG1/5	30	75	VOG1/6	75	30
120	VOG2/3	30	150	VOG2/4	150	30	VOG2/5	30	80	VOG2/6	80	30
130	VOG3/3	30	165	VOG3/4	165	30	VOG3/5	30	85	VOG3/6	85	30
160	VOG4/3	30	190	VOG4/4	190	30	VOG4/5	30	95	VOG4/6	95	30

Gutter (mm)	Irregular angle		When ordering an Irregular Angle, state Part No. and actual Fascia Angle & note that A+B lengths vary subject to angle
	External	Internal	
110	VOG1/7	VOG1/8	
120	VOG2/7	VOG2/8	
130	VOG3/7	VOG3/8	
160	VOG4/7	VOG4/8	



BRACKETS

Gutter (mm)	Side Rafter	*Top Rafter	Mortar Bracket
110	VOG1/29	VOG1/30	VOG1/31
120	VOG2/29	VOG2/30	VOG2/31
130	VOG3/29	VOG3/30	VOG3/31
160	VOG4/29	VOG4/30	VOG4/31

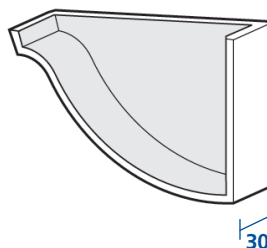


Special brackets on request

** We advise against the use of Top Rafter Brackets.*

STOP ENDS

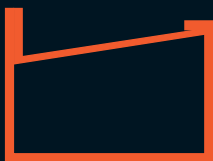
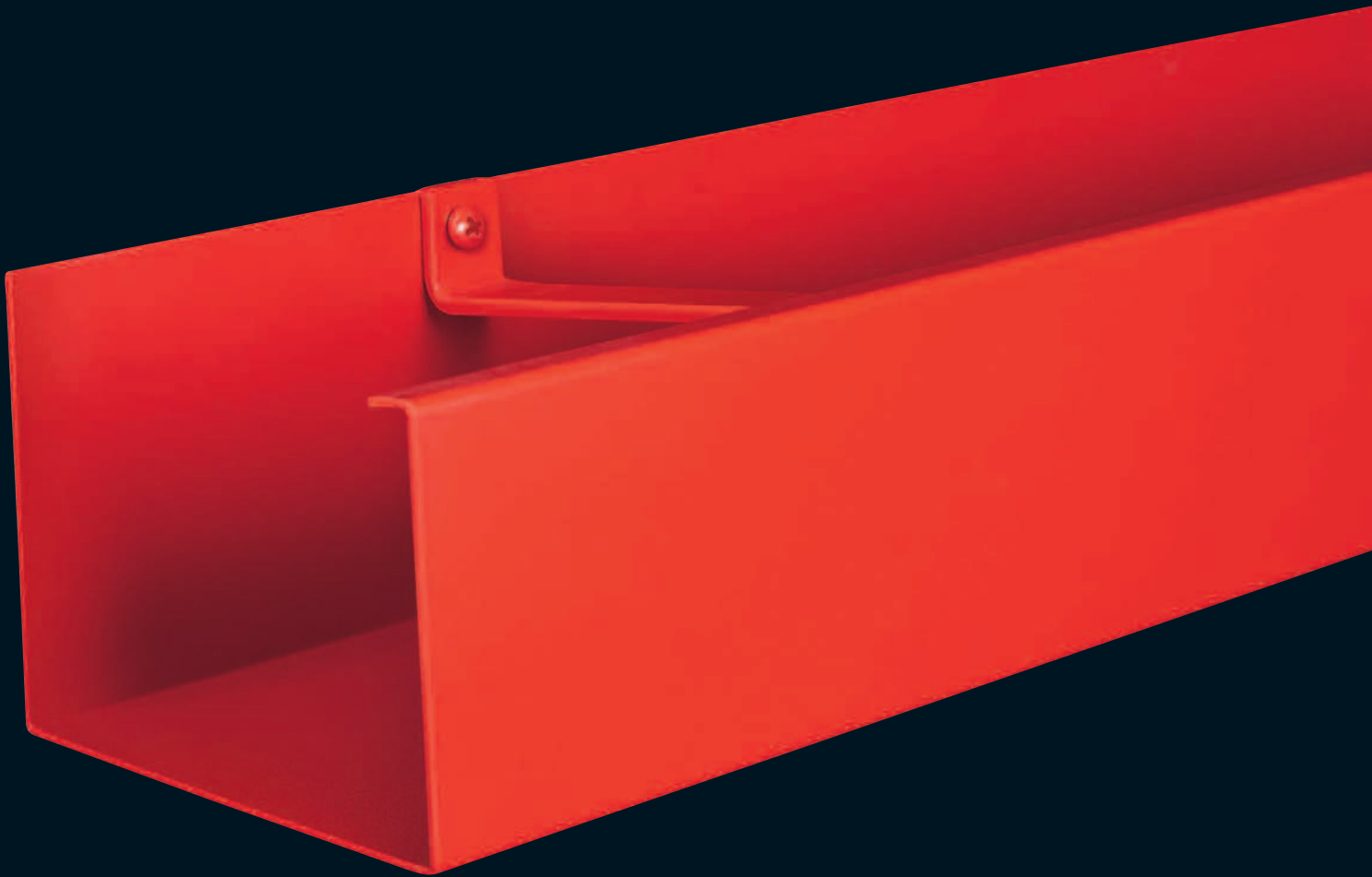
Gutter (mm)	R/H STOP END	L/H STOP END
110	VOG1/10	VOG1/11
120	VOG2/10	VOG2/11
130	VOG3/10	VOG3/11
160	VOG4/10	VOG4/11



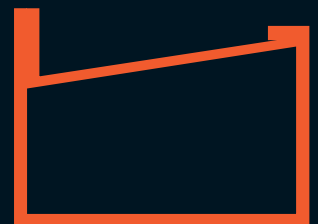
External Stop Ends

BOX GUTTERS

A wide range of standard sized pressed aluminium box gutters with welded internal buttstraps and welded internal cross braces, including holes for back fixing. Other sizes as required or with feature ribs etc, can be made to suit individual requirements.



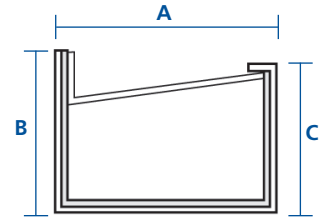
Wide range of sizes available



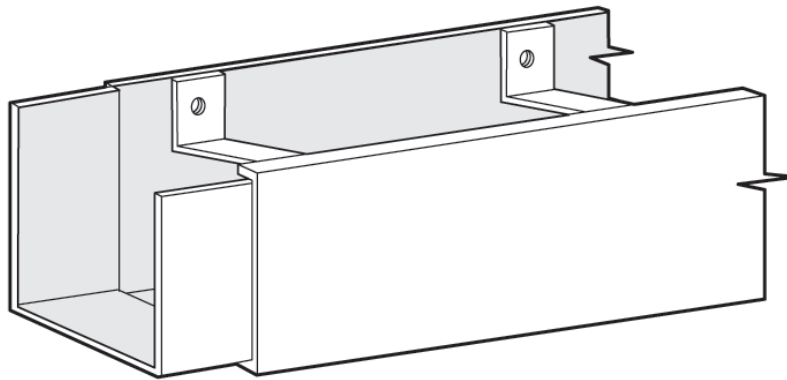
BOX GUTTERS *small sizes*

STANDARD GUTTER LENGTHS

Gutter (mm)	3mtr	1.5mtr	A (mm)	B (mm)	C (mm)	Material Thickness
100 x 75	BX1/1	BX1/2	100	85	75	2
100 x 100	BX2/1	BX2/2	100	110	100	2
125 x 100	BX3/1	BX3/2	125	110	100	2
150 x 100	BX4/1	BX4/2	150	110	100	2



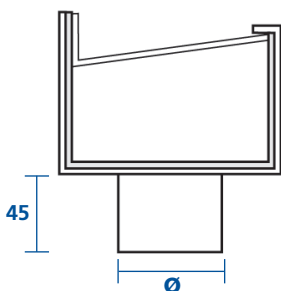
Wider or deeper gutters manufactured to size required



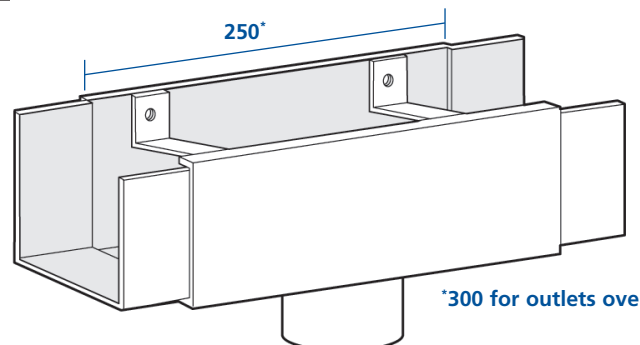
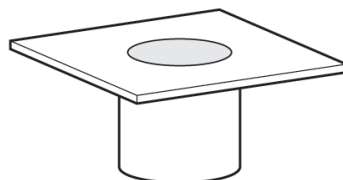
OUTLETS

Gutter (mm)	Round					Square and Rectangular					
	63 Ø	75 Ø	100 Ø	125 Ø	150 Ø	75x50	75x75	100x75	100x100	150x100	150x150
100 x 75	*BX1/13	*BX1/14	—	—	—	*BX1/18	*BX1/19	*BX1/20	—	—	—
100 x 100	*BX2/13	*BX2/14	—	—	—	*BX2/18	*BX2/19	*BX2/20	—	—	—
125 x 100	*BX3/13	*BX3/14	*BX3/15	—	—	*BX3/18	*BX3/19	*BX3/20	*BX3/21	*BX3/22	—
150 x 100	*BX4/13	*BX4/14	*BX4/15	*BX4/16	—	*BX4/18	*BX4/19	*BX4/20	*BX4/21	*BX4/22	—

e outlet can be used in place of Running Outlets giving increased flexibility and cost efficiency



Sleeve Outlet

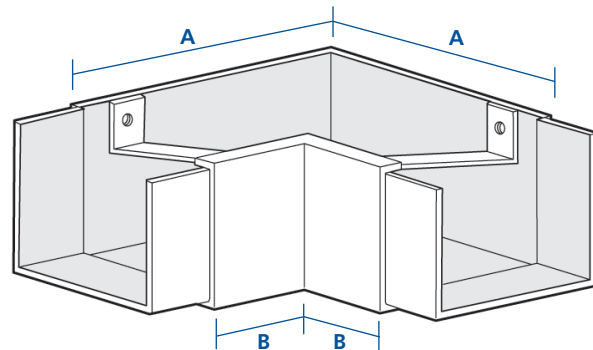


*300 for outlets over 100

ANGLES - INTERNAL AND EXTERNAL

Gutter (mm)	90° External			90° Internal			135° External			135° Internal		
		A (mm)	B (mm)		A (mm)	B (mm)		A (mm)	B (mm)		A (mm)	B (mm)
100 x 75	BX1/3	150	250	BX1/4	250	150	BX1/5	150	190	BX1/6	190	150
100 x 100	BX2/3	150	250	BX2/4	250	150	BX2/5	150	190	BX2/6	190	150
125 x 100	BX3/3	150	275	BX3/4	275	150	BX3/5	150	200	BX3/6	200	150
150 x 100	BX4/3	150	300	BX4/4	300	150	BX4/5	150	210	BX4/6	210	150

Gutter (mm)	Irregular angle		When ordering an Irregular Angle, state Ref No. and actual Fascia Angle & note that A+B lengths vary subject to angle
	External	Internal	
100 x 75	BX1/7	BX1/8	
100 x 100	BX2/7	BX2/8	
125 x 100	BX3/7	BX3/8	
150 x 100	BX4/7	BX4/8	

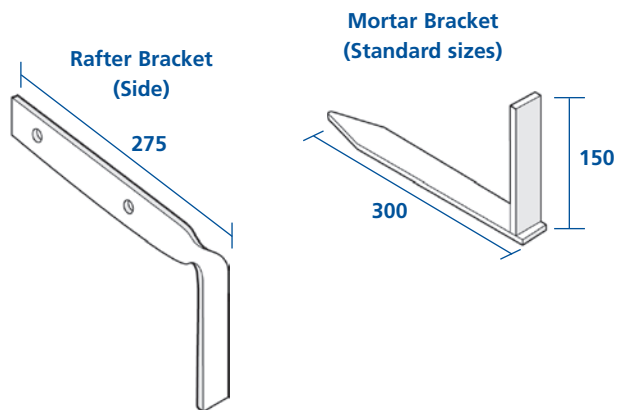


BRACKETS

Gutter (mm)	Side Rafter	*Top Rafter	Mortar Bracket
100 x 75	BX1/29	BX1/30	BX1/31
100 x 100	BX2/29	BX2/30	BX2/31
125 x 100	BX3/29	BX3/30	BX3/31
150 x 100	BX4/29	BX4/30	BX4/31

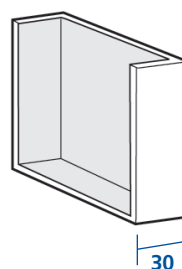
Special brackets on request

* We advise against the use of Top Rafter Brackets.



STOP ENDS

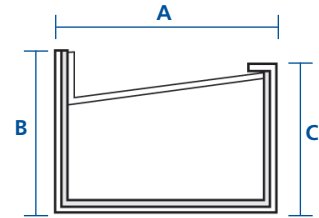
Gutter (mm)	R/H stop end	L/H stop end
100 x 75	BX1/10	BX1/11
100 x 100	BX2/10	BX2/11
125 x 100	BX3/10	BX3/11
150 x 100	BX4/10	BX4/11



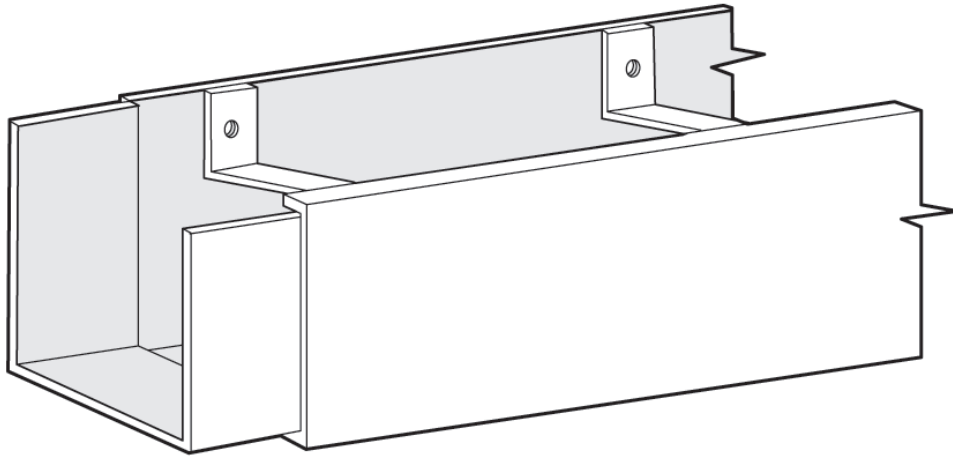
BOX GUTTERS *large sizes*

STANDARD GUTTER LENGTHS

Gutter (mm)	3mtr	1.5mtr	A (mm)	B (mm)	C (mm)	Material Thickness
150 x 150	BX5/1	BX5/2	150	160	150	2
200 x 150	BX6/1	BX6/2	200	160	150	2
200 x 200	BX7/1	BX7/2	200	210	200	2
300 x 200	BX8/1	BX8/2	300	220	200	2



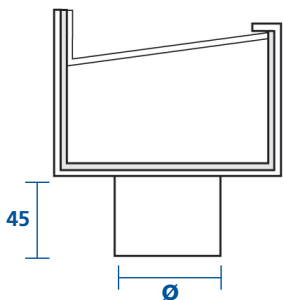
Wider or deep



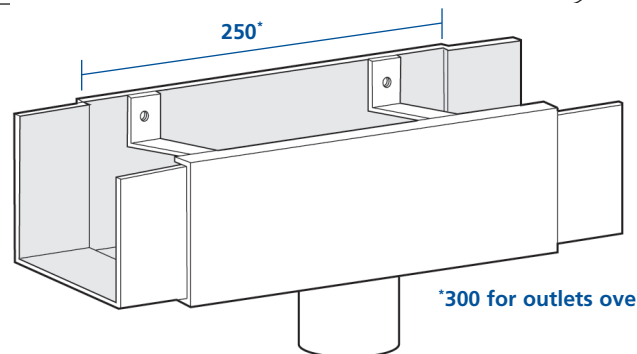
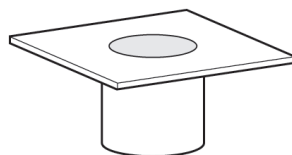
OUTLETS

Gutter (mm)	Round					Square and Rectangular					
	63 Ø	75 Ø	100 Ø	125 Ø	150 Ø	75x50	75x75	100x75	100x100	150x100	150x150
150 x 150	*BX5/13	*BX5/14	*BX5/15	*BX5/16	—	*BX5/18	*BX5/19	*BX5/20	*BX5/21	*BX5/22	—
200 x 150	*BX6/13	*BX6/14	*BX6/15	*BX6/16	*BX6/17	*BX6/18	*BX6/19	*BX6/20	*BX6/21	*BX6/22	*BX6/23
200 x 200	*BX7/13	*BX7/14	*BX7/15	*BX7/16	*BX7/17	*BX7/18	*BX7/19	*BX7/20	*BX7/21	*BX7/22	*BX7/23
300 x 200	*BX8/13	*BX8/14	*BX8/15	*BX8/16	*BX8/17	*BX8/18	*BX8/19	*BX8/20	*BX8/21	*BX8/22	*BX8/23

*Indicates a sleeve outlet can be used in place of Running Outlets giving increased flexibility and cost efficiency



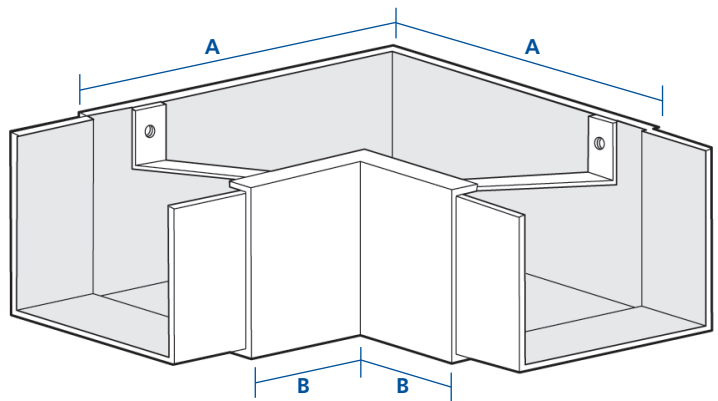
Sleeve Outlet



ANGLES - INTERNAL AND EXTERNAL

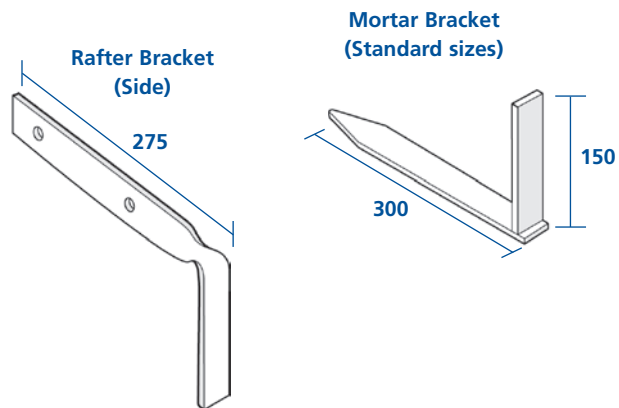
Gutter (mm)	90° External			90° Internal			135° External			135° Internal		
		A (mm)	B (mm)		A (mm)	B (mm)		A (mm)	B (mm)		A (mm)	B (mm)
150 x 150	BX5/3	150	300	BX5/4	300	150	BX5/5	150	210	BX5/6	210	150
200 x 150	BX6/3	150	350	BX6/4	350	150	BX6/5	150	230	BX6/6	230	150
200 x 200	BX7/3	150	350	BX7/4	350	150	BX7/5	150	230	BX7/6	230	150
300 x 200	BX8/3	150	450	BX8/4	450	150	BX8/5	150	270	BX8/6	270	150

Gutter (mm)	Irregular angle		When ordering an Irregular Angle, state Ref No. and actual Fascia Angle & note that A+B lengths vary subject to angle
	External	Internal	
150 x 150	BX5/7	BX5/8	
200 x 150	BX6/7	BX6/8	
200 x 200	BX7/7	BX7/8	
300 x 200	BX8/7	BX8/8	



BRACKETS

Gutter (mm)	Side Rafter	*Top Rafter	Mortar Bracket
*150 x 150	BX5/29	BX5/30	BX5/31
*200 x 150	BX6/29	BX6/30	BX6/31
*200 x 200	BX7/29	BX7/30	BX7/31
*300 x 200	BX8/29	BX8/30	BX8/31

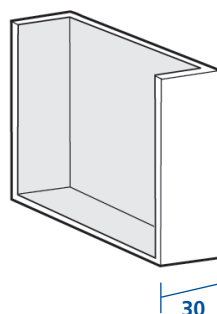


Special brackets on request

**We recommend that gutters of these sizes should be directly fixed and not bracketed, in any instance we advise against the use of *Top Rafter Brackets.*

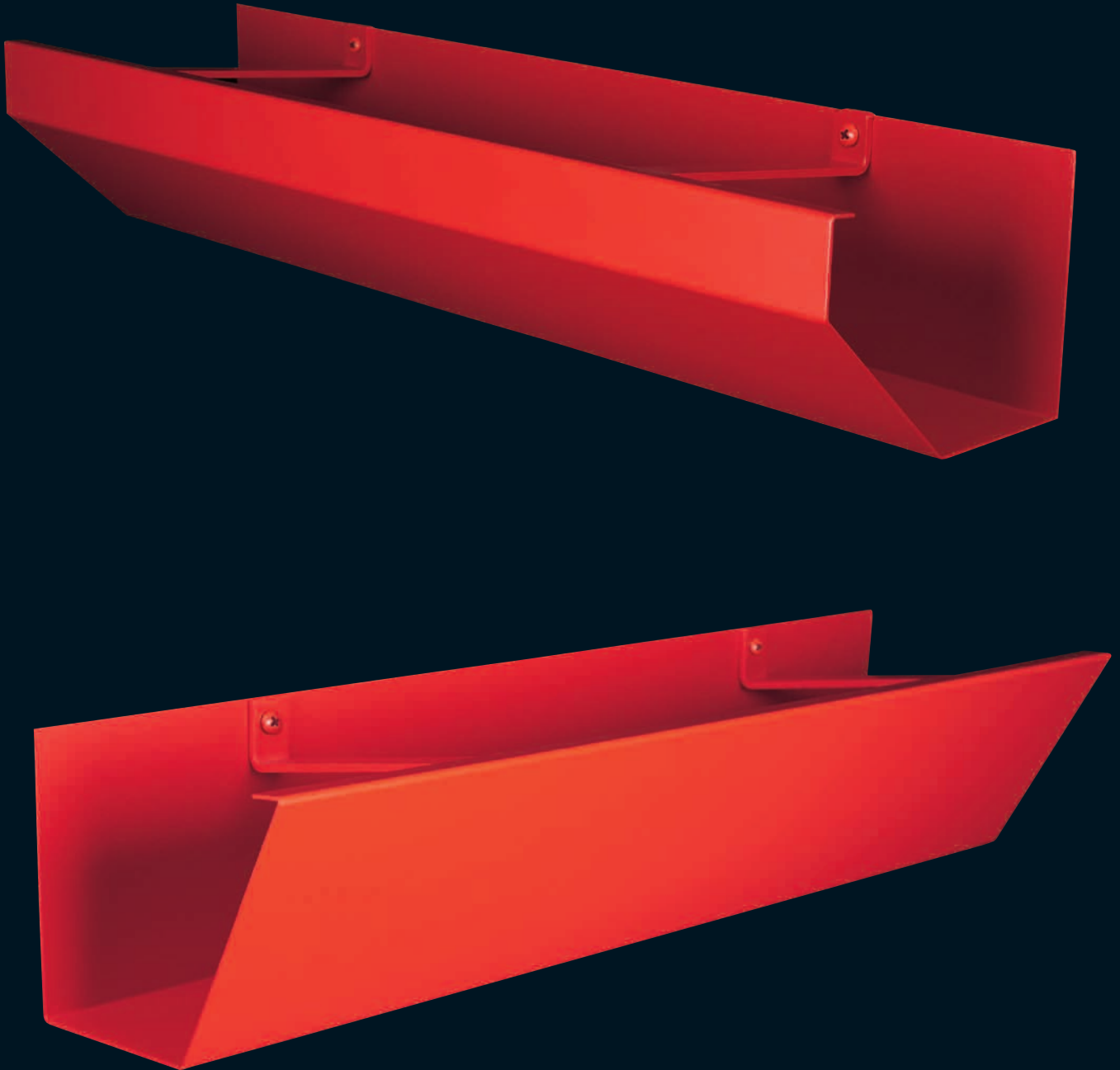
STOP ENDS

Gutter (mm)	R/H stop end	L/H stop end
150 x 150	BX5/10	BX5/11
200 x 150	BX6/10	BX6/11
200 x 200	BX7/10	BX7/11
300 x 200	BX8/10	BX8/11



SHAPED & RAKED BOX GUTTERS

These gutters offer an alternative to Box gutters, opposite we have suggested sizes but these can be amended as required.

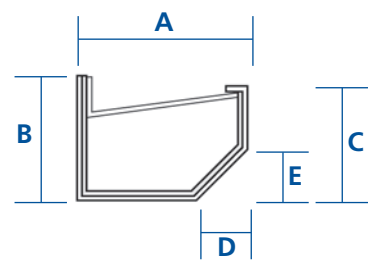
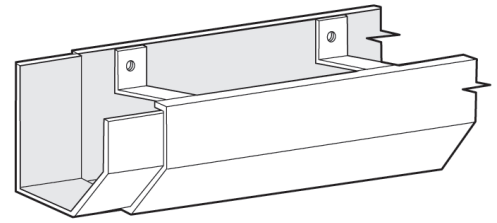


Wide range of sizes available

SHAPED BOX GUTTER

SHAPED BOX

Gutter (mm)	3mtr	1.5mtr	A (mm)	B (mm)	C (mm)	D (mm)	E (mm)	Material Thickness
100 x 75	SBX1/1	SBX1/2	100	85	75	30	30	2
100 x 100	SBX2/1	SBX2/2	100	110	100	40	40	2
125 x 100	SBX3/1	SBX3/2	125	110	100	40	40	2
150 x 100	SBX4/1	SBX4/2	150	110	100	40	40	2
150 x 150	SBX5/1	SBX5/2	150	160	150	60	60	2
200 x 150	SBX6/1	SBX6/2	200	160	150	60	60	2
200 x 200	SBX7/1	SBX7/2	200	210	200	80	80	2
300 x 200	SBX8/1	SBX8/2	300	210	200	80	80	2



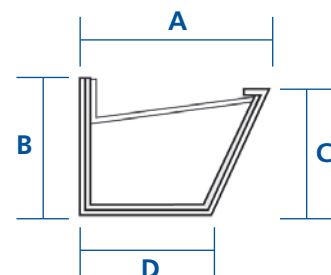
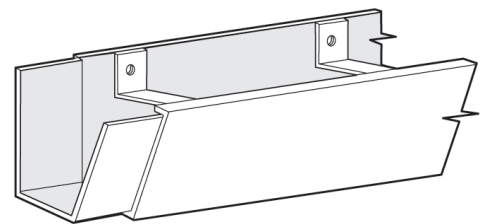
Wider or deeper gutters manufactured to size required

To specify use equivalent size Box Gutter codes with 'S' in front.

RAKED BOX GUTTERS

RAKED BOX

Gutter (mm)	3mtr	1.5mtr	A (mm)	B (mm)	C (mm)	D (mm)	Material Thickness
100 x 75	RBX1/1	RBX1/2	100	85	75	60	2
100 x 100	RBX2/1	RBX2/2	100	110	100	60	2
125 x 100	RBX3/1	RBX3/2	125	110	100	75	2
150 x 100	RBX4/1	RBX4/2	150	110	100	90	2
150 x 150	RBX5/1	RBX5/2	150	160	150	90	2
200 x 150	RBX6/1	RBX6/2	200	160	150	120	2
200 x 200	RBX7/1	RBX7/2	200	210	200	120	2
300 x 200	RBX8/1	RBX8/2	300	210	200	180	2

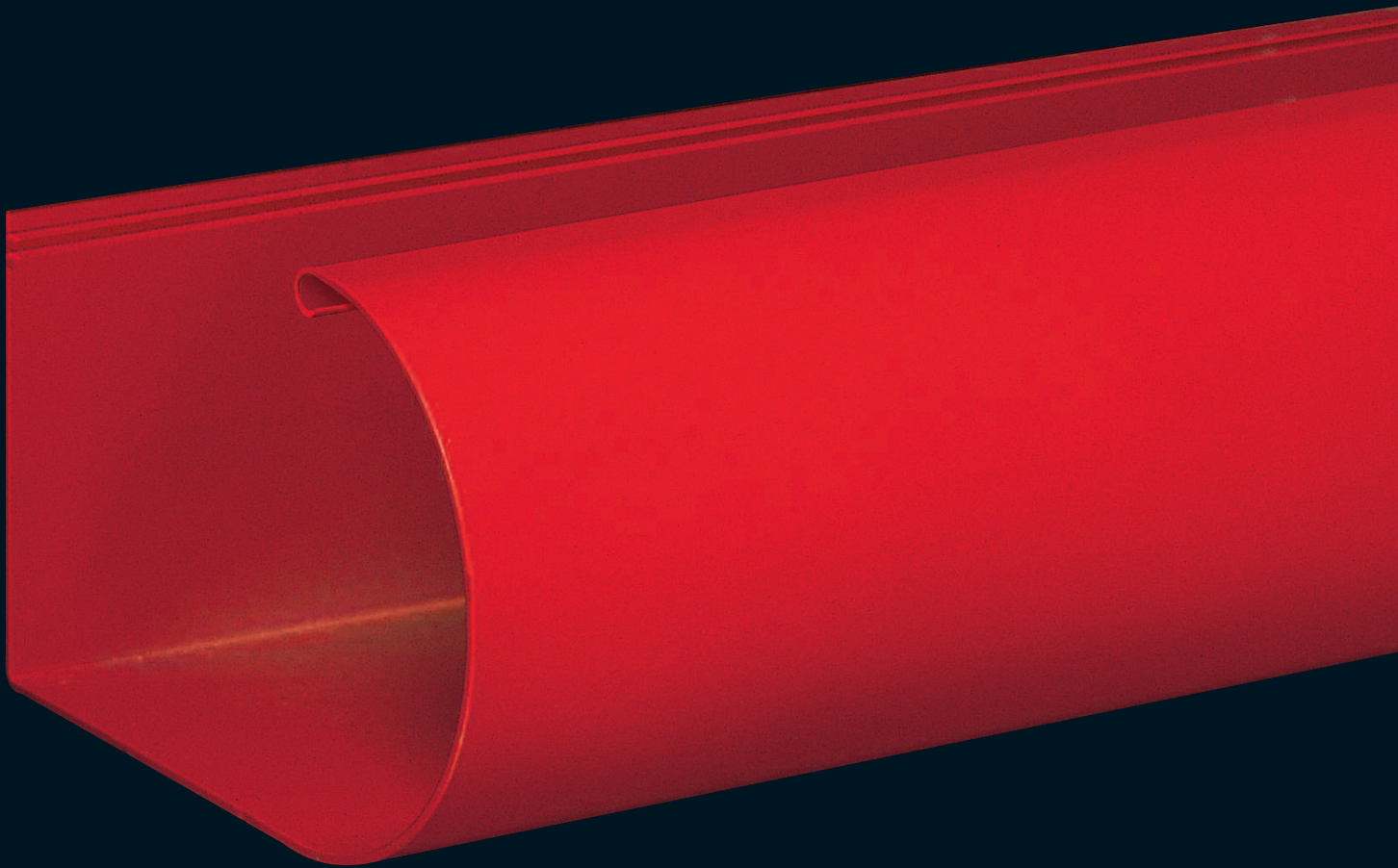


Wider or deeper gutters manufactured to size required

To specify use equivalent size Box Gutter codes with 'R' in front.

BULLNOZE GUTTERS

These gutters offer an alternative to Box gutters, opposite we have suggested sizes but these can be amended as required.

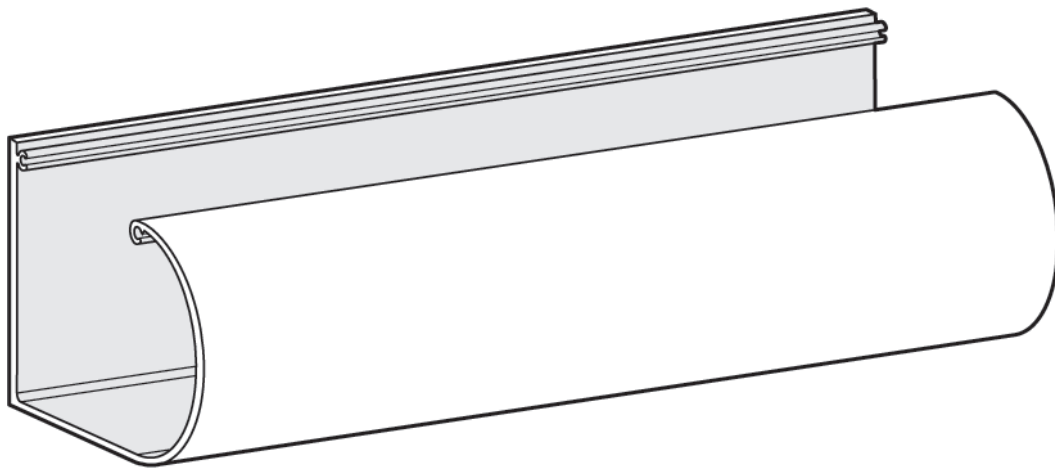
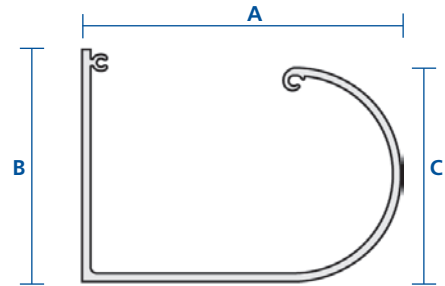


BULLNOZE GUTTERS

STANDARD GUTTER LENGTHS

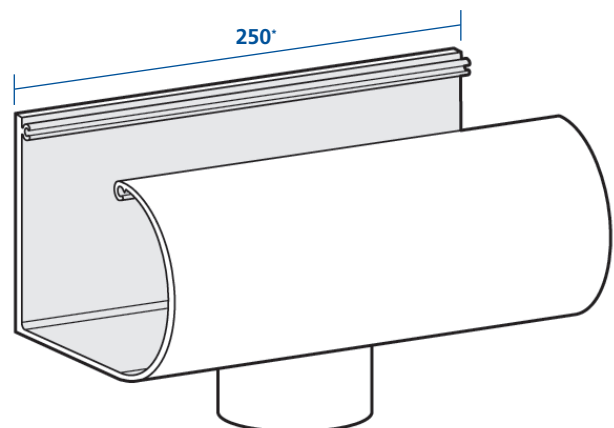
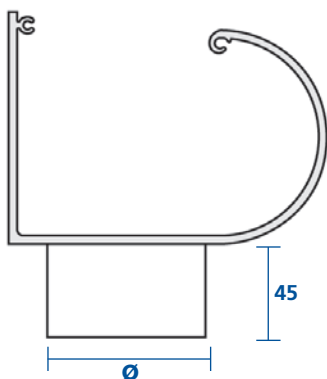
Gutter (mm)	3mtr	1.5mtr	A (mm)	B (mm)	C (mm)	Material Thickness
150 x 100	BNG1/1	BNG1/2	150	110	100	2.5

Other sizes manufactured as required



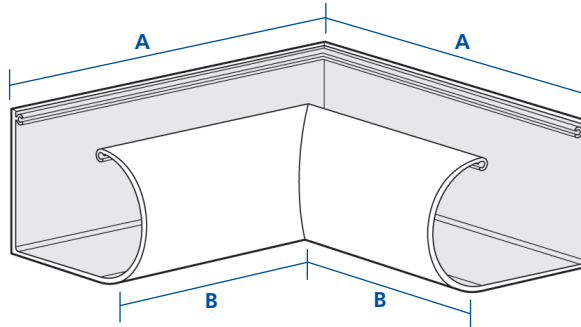
OUTLETS

Gutter (mm)	Round			Square and Rectangular			
	63 Ø	75 Ø	100 Ø	75x50	75x75	100x75	100x100
150 x 100	BNG1/13	BNG1/14	BNG1/15	BNG1/18	BNG1/19	BNG1/20	BNG1/21



ANGLES - INTERNAL AND EXTERNAL

Gutter (mm)	90° External			90° Internal			135° External			135° Internal		
		A (mm)	B (mm)		A (mm)	B (mm)		A (mm)	B (mm)		A (mm)	B (mm)
150 x 100	BNG1/3	150	300	BNG1/4	300	150	BNG1/5	150	210	BNG1/6	210	150



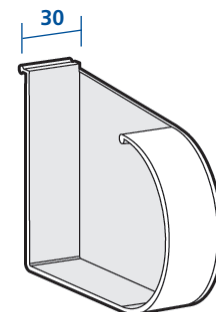
Gutter (mm)	Irregular angle		When ordering an Irregular Angle, state Ref No. and actual Fascia Angle & note that A+B lengths vary subject to angle
	External	Internal	
150 x 100	BNG1/7	BNG1/8	

INTERNAL JOINT SLIDER

Gutter (mm)	Joint Slider	Description
150 x 100	BNG1/32	Gutters and fittings are supplied with sliders as standard. Separate joint sliders can be ordered to eliminate waste

STOP ENDS

Gutter (mm)	RH Stop End	LH Stop End
150 x 100	BNG1/10	BNG1/11
Both Left Hand and Right Hand Stopends are internal thus giving a clean uninterrupted profile		

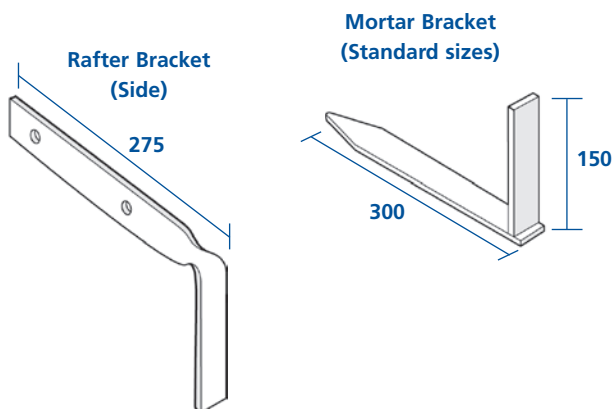


BRACKETS

Gutter (mm)	Side Rafter	*Top Rafter	Mortar Bracket
150 x 100	BNG1/29	BNG1/30	BNG1/31

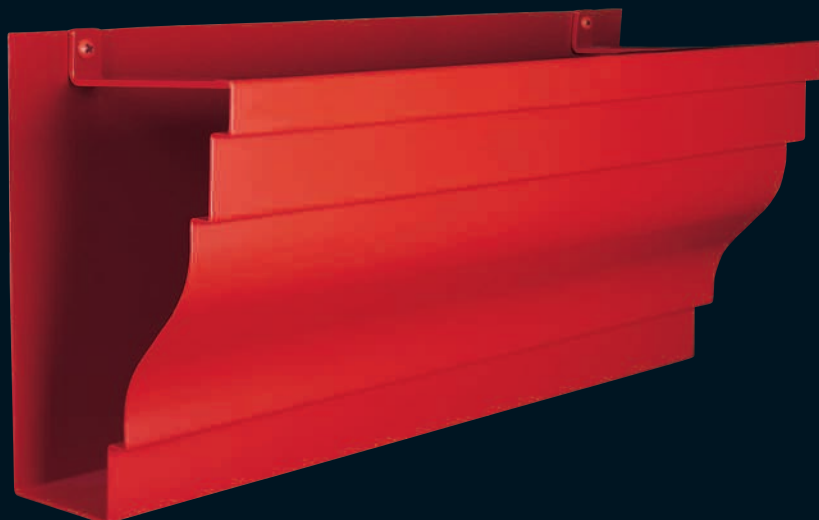
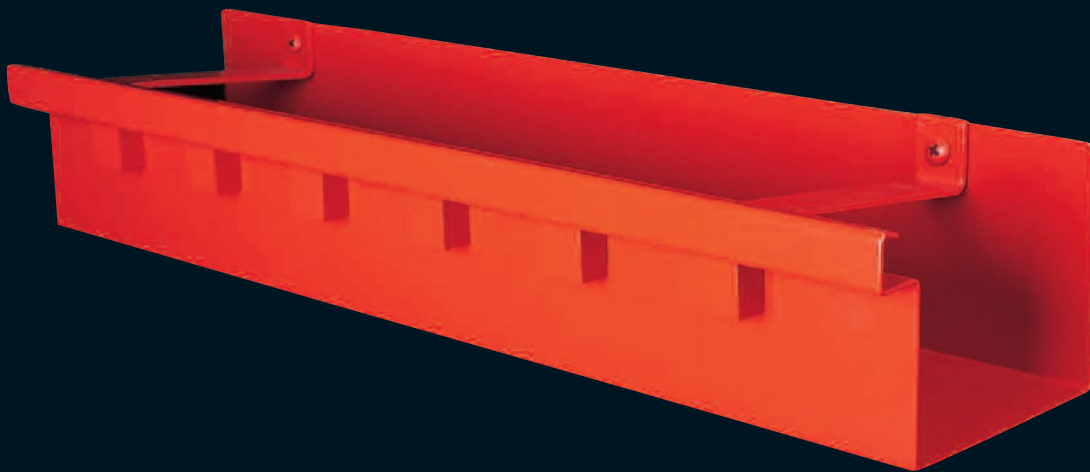
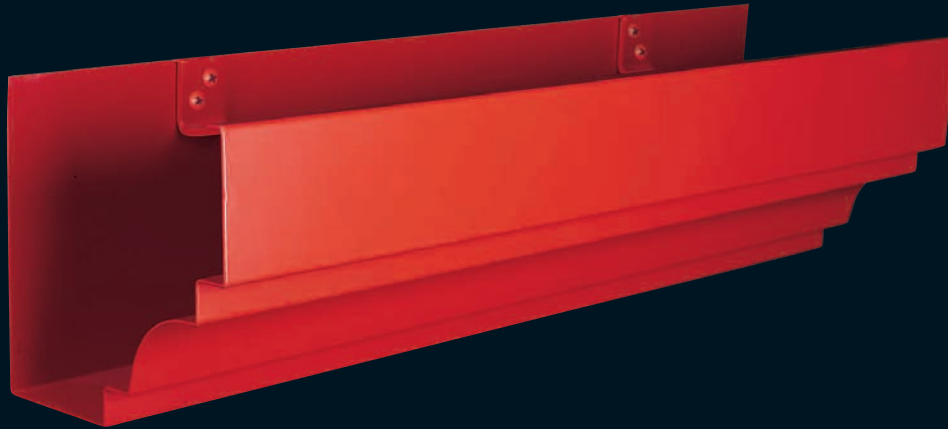
Special brackets on request

* We advise against the use of Top Rafter Brackets.



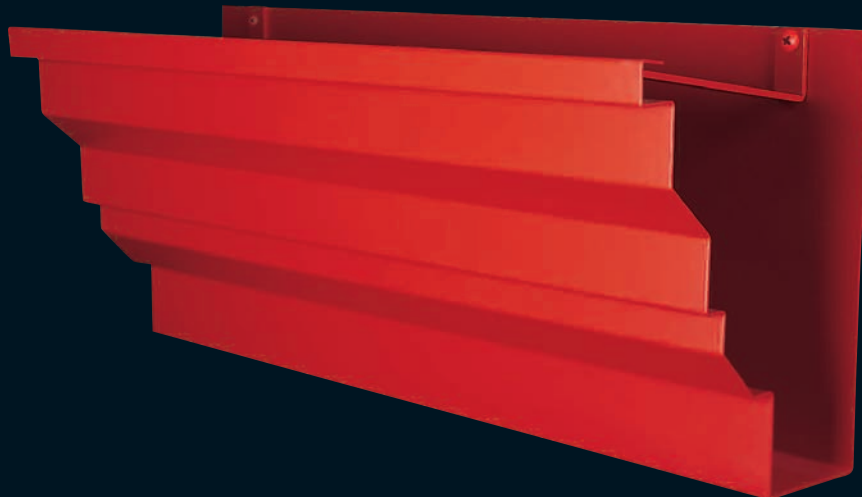
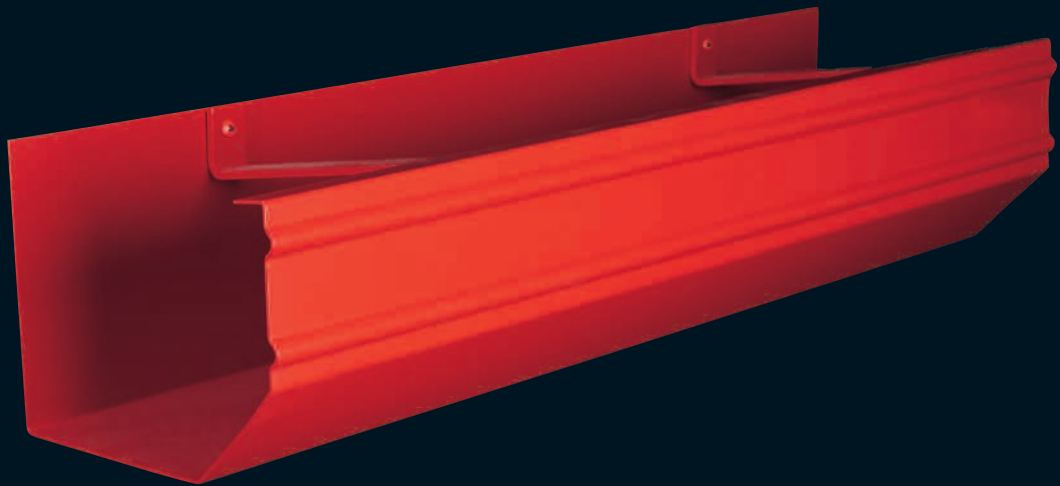
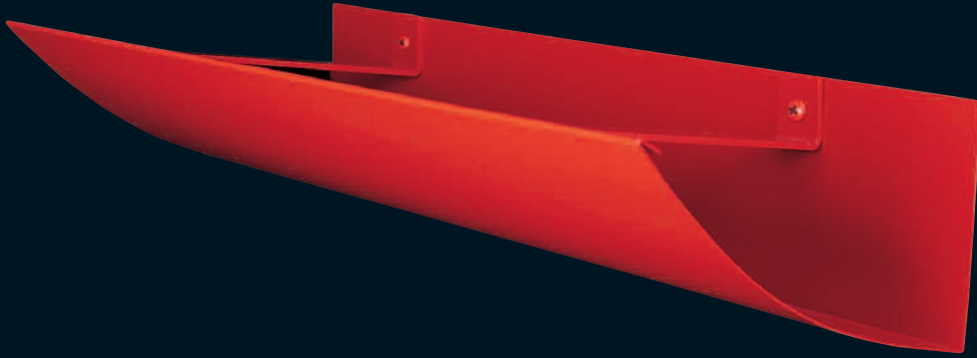
BESPOKE GUTTERS

Guttercrest are specialists in manufacturing non-standard gutters. Our technical department will help you to specify the profile of your choice.



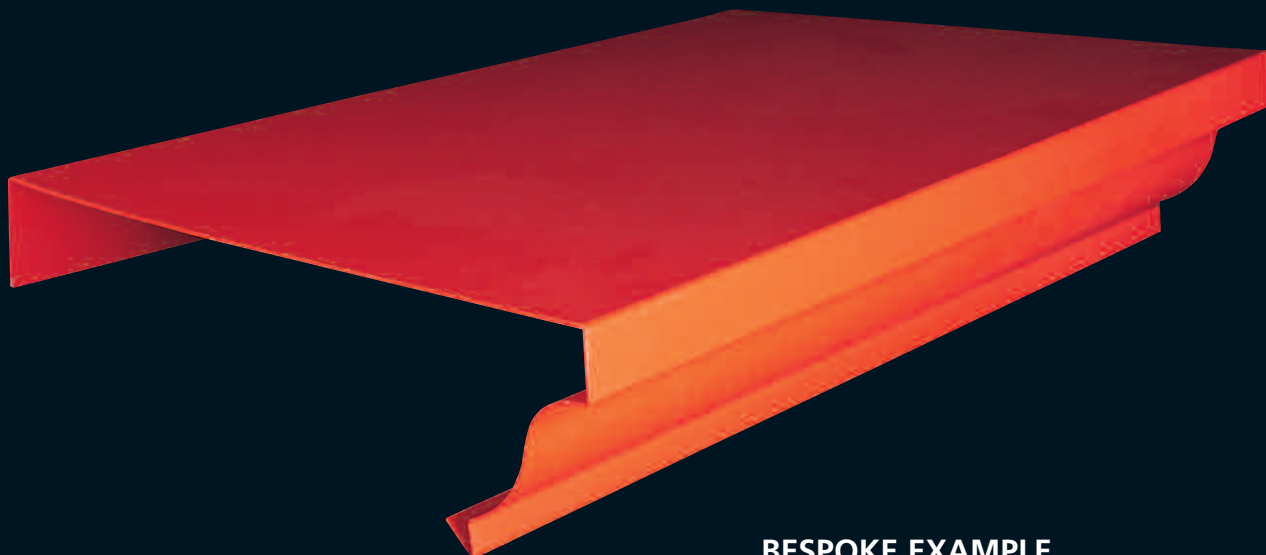
BESPOKE GUTTERS

These are some examples of Bespoke Gutters already manufactured for specific projects.

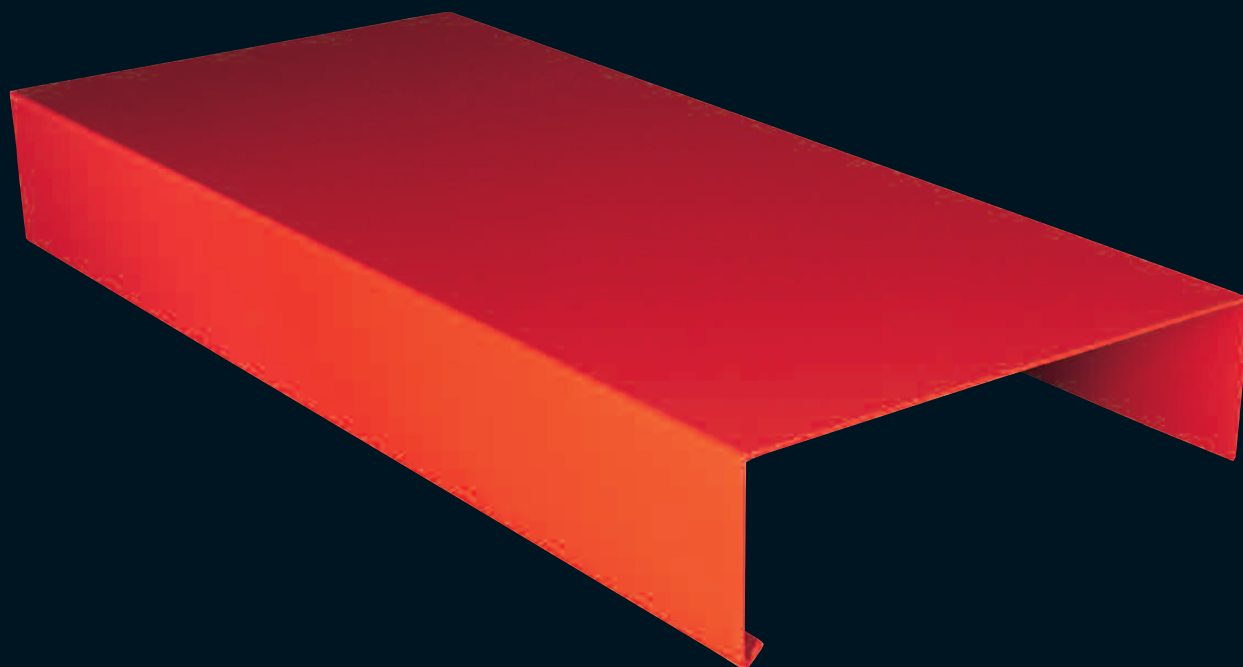


EASIEAVES COPINGS

Guttercrest can manufacture aluminium copings to standard or bespoke profiles.



BESPOKE EXAMPLE



STANDARD EXAMPLE

*For full details of
EASIEAVES, THE MODULAR SYSTEM FOR ALUMINIUM FASCIAS, SOFFITS & COPINGS
Telephone: 01691 663300 or Fax: 01691 663311*

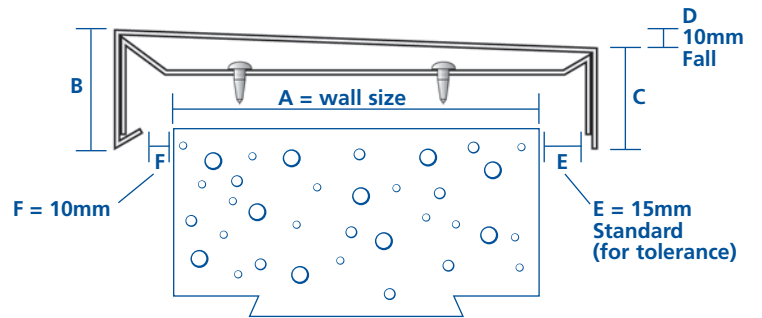
EASIEAVES COPINGS

Below is our standard Coping profile. We can manufacture alternative profiles to suit individual project requirements

STANDARD COPING LENGTHS

Coping Girth (up to)	3mtr	1.5mtr	Wall Size A (mm)	Standard B (mm)	Standard C (mm)
400mm	COP1/1	COP1/2	?	65	55
500mm	COP2/1	COP2/2	?	65	55
625mm	COP3/1	COP3/2	?	65	55
750mm	COP4/1	COP4/2	?	65	55

Brackets are produced from 38 x 5mm thick aluminium and are drilled on site. (5 per length)



All dimensions are suggested, any configuration can be produced to any of the girths stated.

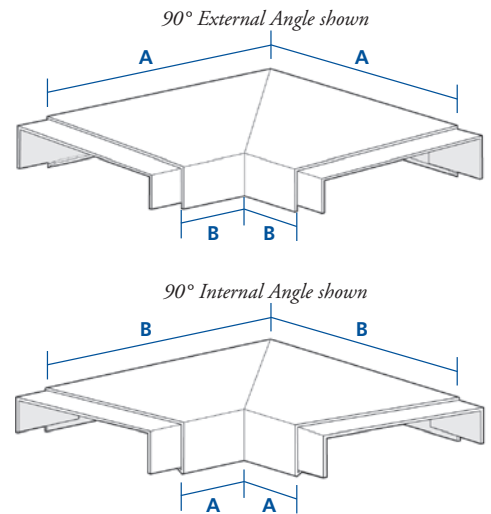
All dimensions can be altered to suit particular applications. The girths stated are given only as guides for economic manufacturing sizes. Other and larger girths can be manufactured as required.

ANGLES - INTERNAL AND EXTERNAL

Coping Girth	90° Internal		90° External			Irregular angle	
	Code.	A (mm)	B (mm)	Code.	A (mm)	B (mm)	Code.
400mm	COP1/4	100	?	COP1/3	?	100	COP1/
500mm	COP2/4	100	?	COP2/3	?	100	COP2/
625mm	COP3/4	100	?	COP3/3	?	100	COP3/
750mm	COP4/4	100	?	COP4/3	?	100	COP4/

When ordering an Irregular Angle, state Ref No, actual Angle required and either INT or EXT A+B. Dimensions will vary depending on angle

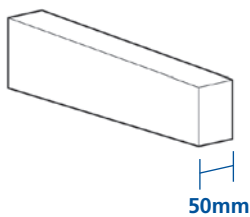
For 135° Internal Angles add suffix '16', ie. COP1/16
For 135° External Angles add suffix '15', ie. COP1/15



On all Internal Angles the 'A' dimension remains constant. On all External Angles the 'B' dimension remains constant.

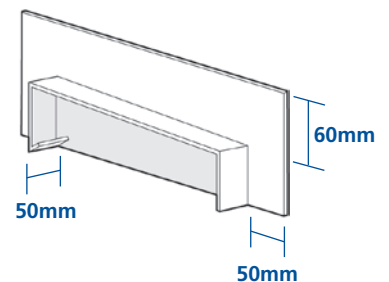
CLOSED ENDS

Coping Girth	RH Internal	LH Internal
400mm	COP1/10	COP1/11
500mm	COP2/10	COP2/11
625mm	COP3/10	COP3/11
750mm	COP4/10	COP4/11



UPSTAND ENDS

Coping Girth	RH	LH
400mm	COP1/12	COP1/13
500mm	COP2/12	COP2/13
625mm	COP3/12	COP3/13
750mm	COP4/12	COP4/13



Curved / Radii copings can be produced to a true curve to suit both internal and external situations.

EASIEAVES FASCIAS & SOFFITS

Below are some examples of Fascias and Soffits.

Please contact our technical department who will assist in the design for individual projects.



BULLNOZE

EASITRIM
ET15A/C



FASCIA

PRIMARY SOFFITS

ARROWHEAD SOFFIT



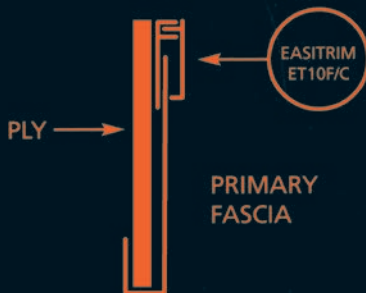
PRIMARY
FASCIA
EXTRA

EASITRIM
ET25A/C



INTER-CONNECTING ARROWHEAD SOFFITS

ARROWHEAD SOFFIT



PLY

PRIMARY
FASCIA

EASITRIM
ET10F/C

SECRET FIX GABLE
FASCIA CLADDING



FASCIA

VENTING

EASITRIM
ET10F/C

COMBINED FASCIA SOFFIT



COLUMN CASING

For full details of
EASIEAVES, THE MODULAR SYSTEM FOR ALUMINIUM FASCIAS, SOFFITS & COPINGS

Telephone: 01691 663300 or Fax: 01691 663311

SPECIAL REQUIREMENTS

Guttercrest whilst having an extensive range specialises in non-standard production.

Whether you require a modification to a standard system or a complete bespoke system, we can assist.

RISE AND FALL ANGLES

These accommodate changes in vertical plane. Compound angles can be made when both vertical and horizontal planes differ.

Under most situations, these can be manufactured although customer may have to provide a template.

RADIUS GUTTERS

Guttercrest can manufacture to form a curve on plan (and in elevation in some profiles).

These can either be fabricated to a true curve, segmented or sandcast.

Please apply to our technical department.

BACK OR SIDE OUTLETS

Guttercrest can manufacture outlets as required. Consideration must be given to capacity of the systems that will be reduced therefore requiring larger or additional outlets.

BESPOKE GUTTER PROFILES

Guttercrest specialise in the manufacture of non-standard profiles to suit customer requirements. Please let our technical department have a sketch of the required profile and we will then give guidance.

ADAPTORS

Special adaptors to accommodate different sizes or profiles of gutter or rainwater pipe (including drain connections) can be manufactured but detailed dimensions will have to be given.

FASCIA / SOFFIT / COPINGS

Guttercrest can manufacture fascia/soffit to customer requirements. These can include venting and feature 'Vs' to give planking effect. Please contact our technical department. A standard range is also available called Easieaves, the modular system for aluminium fascias, soffits and copings.

PIPE WITH INTERNAL SPIGOT

Can be manufactured in all profiles, complete with standard or concealed pipe brackets. Alternatively see our high range of security downpipes.

LIGHTNING CONDUCTOR

If gutters are installed to Guttercrest details, our jointing method gives continuity.

We do not advise that rainwater pipes be used for continuity and suggest a separate down tape or the gutters linked back to the structure.

Professional advice should always be taken from a specialist contractor/consultant.

PURPOSE MADE HOPPERS

Guttercrest offer standard die cast hoppers and a

range of bespoke sand-cast hoppers.

We can also fabricate in sheet metal and special sand-cast hoppers.

OTHER REQUIREMENTS

If you have any other requirements, please ask

PERFORMANCE

STRUCTURAL AND MECHANIC

Guttercrest Rainwater Systems are highly resistant to impact breakage, will support ladders, wind and snow loadings.

FIRE

Generally, systems do not aid combustion and are rated as follows:

Plain - Non combustible to BS476 Part 4.

PPC - 0.1 Fire Propagation Index BS476 Part 6.

PPC - Class 1 Flame Surface Spread BS476 Part 7.

CHEMICAL

Guttercrest products are corrosion resistant but should not be used where acids or strong detergents occur.

BIOLOGICAL

Products are vermin and rot proof and are not affected by general moulds, bacteria's etc.,

ENVIRONMENTAL

Products are recyclable and offer no environmental hazard.

THERMAL

Coefficient of thermal expansion is 0.000026/deg C for cast aluminium and 0.000023/deg C for sheet aluminium. All systems are designed to cater for thermal expansion.

COMPATIBILITY

Direct contact with dissimilar metals or with materials containing lime or cement should be avoided.

The use of aluminium on buildings with copper roofs is not recommended.

In location of aggressive atmospheric conditions and coastal areas, we would advise contact with our technical department.

DURABILITY

Guttercrest Rainwater Systems should have a low maintenance life of forty years in normal atmospheric conditions that would be reduced in industrial and marine environments.

The decorative life expectancy for polyester coating should be between 15 to 35 years depending on atmospheric conditions and regular maintenance.

EXTREME WEATHER CONDITIONS

Guttercrest's product range is designed to withstand the normal UK climatic variations.

Consideration should be given to extra fixings, brackets, snowboards etc. If exceptional conditions are anticipated.

DESIGN DETAILS

For an eaves roof drainage system to function correctly it must carry all but the most extreme of storms safely to ground level without overflowing. The level of the flow within the roof drainage system can be found from the catchment area and rainfall intensity.

FLOW CAPACITIES

The flow capacities for standard Guttercrest gutters are based on-

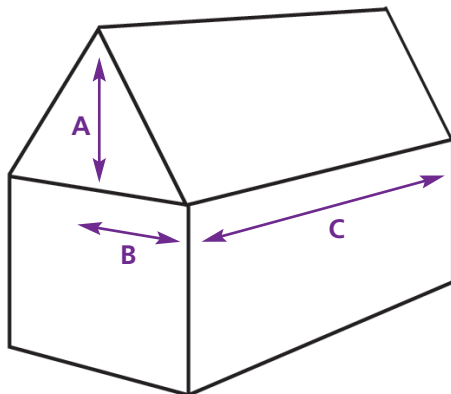
The calculation methods in BSEN12056-3:2000. Rainfall intensity varies geographically with the highest levels in the South-East of England, over a range 0.01 to 0.022 l/(s.m.²)

The gutters being laid nominally level. This design rate is generally suitable for eaves gutters where overflow is unlikely to occur inside or damage the fabric of the building.

As each rainwater system is unique, consideration must be given that angles, roof pitch, etc effects the flow rates.

CALCULATIONS

Effective roof area



$$\text{Effective roof area} = \frac{(A + B) \times C}{2} = \text{ERA M}^2$$

Run Off

Run off = effective roof area x rainfall intensity = l/s

SYSTEM REQUIRED

From the above calculations, the suitable gutters and rainwater pipes can now be selected.

CONSIDERATIONS

Corners will reduce flow performance

End outlets may reduce capacity over central outlets by approximately 50%

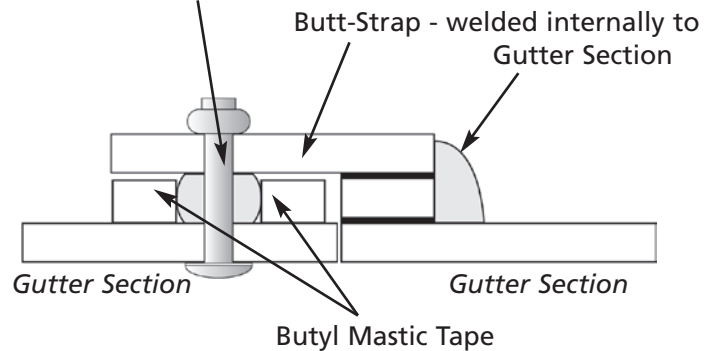
Valley gutters discharging into the eaves gutter especially on corners can lead to overflow problems.

Leafguards on outlets block flow into the outlet, and so require a 50% reduction factor on the capacities listed in this brochure.

For further information, please contact our technical department.

GENERAL JOINTING SECTION

Low Modulus Silicon to centre of Butyl strips with Rivet Fix through

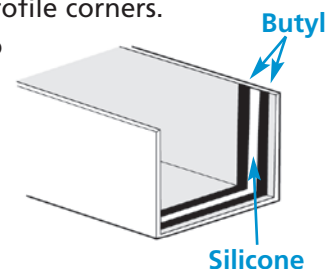


Jointing Detail

Stage 1

2 strips of Butyltape are laid inside the female end of gutter, parallel to each other and approximately 10mm apart. The tape is manually bedded into the gutter profile corners.

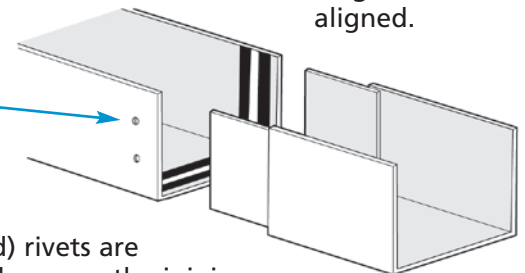
The gap between the two strips of tape is liberally gun-filled with silicone sealant. The silicone is left proud, with no excess removed.



Stage 2

The male end of the next gutter length or accessory, is offered; and firmly bedded onto the silicone/tape joint, ensuring that the top of the married lengths are aligned.

Site drilled 4.8mm diameter holes



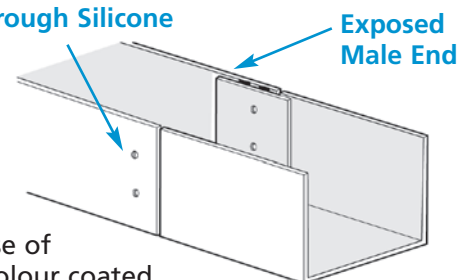
Stage 3

Sealed (blind) rivets are used to firmly secure the joining of the lengths, inserted through site drilled holes at approx 50mm ctrs. The rivets should be placed between the strips of tape in order that the silicone will act as a secondary seal.

Rivets inserted through Silicone

Stage 4

An additional bead of silicone is applied to the exposed male end with excess removed. In the case of Polyester Powder colour coated gutters all rivet heads and cut ends should be touched up with compatible paint.



FLOW CAPACITY DETAILS

		63	75	100	125	150	75x50	75x75	100x75	100x100	150x100	150x150
100mm	end	0.78	0.78				0.78	0.78	0.78			
Half Round	centre	1.24	1.56				1.45	1.56	1.56			
115mm	end	1.10	1.10	1.10			1.10	1.10	1.10	1.10	1.10	
Half Round	centre	1.24	1.97	2.20			1.45	2.20	2.20	2.20	2.20	
130mm	end	1.24	1.50	1.50			1.45	1.50	1.50	1.50	1.50	
Half Round	centre	1.24	1.97	3.00			1.45	2.72	3.00	3.00	3.00	
150mm	end	1.24	1.97	2.14			1.45	2.14	2.14	2.14	2.14	
Half Round	centre	1.24	1.97	4.28			1.45	2.72	4.00	4.28	4.28	
100mm	end	1.04	1.04				1.04	1.04	1.04			
Beaded Deep Flow	centre	1.24	1.97				1.45	2.08	2.08			
125mm	end	1.24	1.80	1.80			1.45	1.80	1.80	1.80	1.80	
Beaded Deep Flow	centre	1.24	1.97	3.60			1.45	2.72	3.60	3.60	3.60	
150mm	end	1.24	1.97	2.85			1.45	2.72	2.85	2.85	2.85	
Beaded Deep Flow	centre	1.24	1.97	4.25			1.45	2.72	4.00	5.70	5.70	
100 x 75	end	1.10	1.10				1.11	1.11	1.11			
Moulded Ogee	centre	1.24	1.97				1.45	2.22	2.22			
125 x 100	end	1.24	1.97	2.03			1.45	2.03	2.03	2.03	2.03	
Moulded Ogee	centre	1.24	1.97	4.06			1.45	2.72	4.00	4.06	4.06	
150 x 100	end	1.24	1.97	2.87	2.87		1.45	2.72	2.87	2.87	2.87	
Moulded Ogee	centre	1.24	1.97	4.25	5.74		1.45	2.72	4.00	5.74	5.74	
175 x 125	end	1.24	1.97	4.25	5.20	5.20	1.45	2.72	4.00	5.20	5.20	5.20
Moulded Ogee	centre	1.24	1.97	4.25	7.71	10.40	1.45	2.72	4.00	5.87	10.07	10.40
200 x 150	end	1.24	1.97	4.25	7.06	7.06	1.45	2.72	4.00	5.87	7.06	7.06
Moulded Ogee	centre	1.24	1.97	4.25	7.71	12.53	1.45	2.72	4.00	5.87	10.07	14.12
300 x 200	end	1.24	1.97	4.25	7.71	12.53	1.45	2.72	4.00	5.87	10.07	17.30
Moulded Ogee	centre	1.24	1.97	4.25	7.71	12.53	1.45	2.72	4.00	5.87	10.07	17.30
110mm	end	0.58	0.58				0.58	0.58	0.58			
Victorian Ogee	centre	1.16	1.16				1.16	1.16	1.16			
120mm	end	0.83	0.83				0.83	0.83	0.83			
Victorian Ogee	centre	1.24	1.66				1.45	1.66	1.66			
130mm	end	1.15	1.15				1.15	1.15	1.15	1.15	1.15	
Victorian Ogee	centre	1.24	1.97				1.45	2.30	2.30	2.30	2.30	
160mm	end	1.24	1.87	1.87			1.45	1.87	1.87	1.87	1.87	
Victorian Ogee	centre	1.24	1.97	3.74			1.45	2.72	3.74	3.74	3.74	
100 x 75 Box	end	1.57	2.02				1.73	2.02	2.02			
	centre	1.57	2.10				1.73	2.63	3.06			
100 x 100 Box	end	1.82	2.57				2.00	3.12	3.12			
	centre	1.82	2.57				2.00	3.22	4.29			
125 x 100 Box	end	1.82	2.57	3.88			2.00	3.22	3.88	3.88	3.88	
	centre	1.82	2.57	4.31			2.00	3.22	4.29	5.39	6.74	
150 x 100 Box	end	1.82	2.57	4.31	4.65		2.00	3.22	4.29	4.65	4.65	
	centre	1.82	2.57	4.31	5.39		2.00	3.22	4.29	5.39	6.75	

		63	75	100	125	150	75x50	75x75	100x75	100x100	150x100	150x150
150 x 150 Box	end	2.22	3.15	5.60	8.76		2.45	3.94	5.25	7.01	8.59	
	centre	2.22	3.15	5.60	8.76		2.45	3.94	5.25	7.01	10.51	
200 x 150 Box Box	end	2.22	3.15	5.60	8.76	10.11	2.45	3.94	5.25	7.01	10.51	11.41
	centre	2.22	3.15	5.60	8.76	10.11	2.45	3.94	5.25	7.01	10.51	14.85
200 x 200 Box	end	2.57	3.64	6.47	10.11	14.56	2.83	4.55	6.07	8.09	12.13	17.63
	centre	2.57	3.64	6.47	10.11	14.56	2.83	4.55	6.07	8.09	12.13	18.20
300 x 200 Box	end	2.57	3.64	6.47	10.11	14.56	2.83	4.55	6.07	8.09	12.13	18.20
	centre	2.57	3.64	6.47	10.11	14.56	2.83	4.55	6.07	8.09	12.13	18.20
100 x 75 Shaped Box	end	1.57	2.02				1.73	2.02	2.02			
	centre	1.57	2.10				1.73	2.63	3.06			
100 x 100 Shaped Box	end	1.82	2.57				2.00	3.12	3.12			
	centre	1.82	2.57				2.00	3.22	4.29			
125 x 100 Shaped Box	end	1.82	2.57	3.88			2.00	3.22	3.88	3.88	3.88	
	centre	1.82	2.57	4.31			2.00	3.22	4.29	5.39	6.74	
150 x 100 Shaped Box	end	1.82	2.57	4.31	4.65		2.00	3.22	4.29	4.65	4.65	
	centre	1.82	2.57	4.31	5.39		2.00	3.22	4.29	5.39	6.75	
150 x 150 Shaped Box	end	2.22	3.15	5.60	8.76		2.45	3.94	5.25	7.01	8.59	
	centre	2.22	3.15	5.60	8.76		2.45	3.94	5.25	7.01	10.51	
200 x 150 Shaped Box	end	2.22	3.15	5.60	8.76	10.11	2.45	3.94	5.25	7.01	10.51	11.41
	centre	2.22	3.15	5.60	8.76	10.11	2.45	3.94	5.25	7.01	10.51	14.85
200 x 200 Shaped Box	end	2.57	3.64	6.47	10.11	14.56	2.83	4.55	6.07	8.09	12.13	17.63
	centre	2.57	3.64	6.47	10.11	14.56	2.83	4.55	6.07	8.09	12.13	18.20
300 x 200 Shaped Box	end	2.57	3.64	6.47	10.11	14.56	2.83	4.55	6.07	8.09	12.13	18.20
	centre	2.57	3.64	6.47	10.11	14.56	2.83	4.55	6.07	8.09	12.13	18.20
100 x 75 Raked Box	end	1.24	1.32				1.32	1.32	1.32			
	centre	1.24	1.97				1.45	2.64	2.64			
100 x 100 Raked Box	end	1.24	1.89				1.45	1.89	1.89			
	centre	1.24	1.97				1.45	2.72	3.78			
125 x 100 Raked Box	end	1.24	1.97	2.50			1.45	2.50	2.50	2.50	2.50	
	centre	1.24	1.97	4.25			1.45	2.72	4.00	5.00	5.00	
150 x 100 Raked Box	end	1.24	1.97	3.14	3.14		1.45	2.72	3.14	3.14	3.14	
	centre	1.24	1.97	4.25	6.28		1.45	2.72	4.00	5.87	6.28	
150 x 150 Raked Box	end	1.24	1.97	4.25	5.22		1.45	2.72	4.00	5.22	5.22	
	centre	1.24	1.97	4.25	7.71		1.45	2.72	4.00	5.87	10.07	
200 x 150 Raked Box	end	1.24	1.97	4.25	7.47	7.47	1.45	2.72	4.00	5.87	7.47	7.47
	centre	1.24	1.97	4.25	7.71	12.53	1.45	2.72	4.00	5.87	10.07	14.94
200 x 200 Raked Box	end	1.24	1.97	4.25	7.71	10.77	1.45	2.72	4.00	5.87	10.07	10.71
	centre	1.24	1.97	4.25	7.71	12.53	1.45	2.72	4.00	5.87	10.07	17.30
300 x 200 Raked Box	end	1.24	1.97	4.25	7.71	12.53	1.45	2.72	4.00	5.87	10.07	17.30
	centre	1.24	1.97	4.25	7.71	12.53	1.45	2.72	4.00	5.87	10.07	17.30
150 x 100 Bullnoze	end	1.82	2.64	4.31			2.14	3.22	4.29	4.65		
	centre	1.82	2.64	4.31			2.14	3.22	4.29	5.39		

INSTALLATION DETAILS

GENERAL

Handling and storage - Materials should be handled with care and stored in a safe place to avoid damage especially to the coating.

Cutting and drilling - Standard metalwork tools can be used. All cut edges should be deburred and if coated, touched up with suitable paint available from Guttercrest.

GUTTERS

Levels - We recommend gutters are installed level. If fall required max. 1:600. The height of gutter should be set to prevent overshoot.

SEQUENCE

- 1) Check fixing background, including alignment and that the roof overhang is correct. Ensure any necessary remedial works are carried out.
 - 2) Establish fixing datum line.
 - 3) Start fixing procedures from right to left, starting at a stopend or corner if possible.
 - 4a) If fascia brackets are being used, fix brackets using stainless steel fixings, string lining through for line and level including extra brackets at components
- Or ...**
- 4b) Back fix gutter to fascia using stainless steel fixings.
 - 5) Apply butyl tape and silicone to plain end of next gutter.
 - 6) Rivet joint using aluminium sealed rivets.
 - 7) Clean off any excess sealant to outside of the gutter and touch up rivets.

RAINWATER PIPES

SEQUENCE

- 1) Check that drain connection is in correct position and ensure any remedial work necessary is carried out.
- 2) Install pipes using a spirit level to check for vertical alignment.
- 3a) Eared Sockets
 - i) Pipes fixed at collar position only - no intermediate fixings necessary.
 - ii) If no shoe is used, a collar bracket should be used at the base of the pipe.
- 3b) Plain Collar Downpipes
 - i) Fixing brackets should be fitted under the collar (and at extra components). No intermediate bracket is required.
- 4) Stainless steel hammer screws should be used for fixing into masonry.
- 5) Joints should be dry.
- 6) If pipes are fitted over expansion joints, a slot will have to be put in the bracket.

FIXINGS & SEALANTS

We recommend the use of Adhead & Ratcliffe sealants. Sealant:- ARBOSIL 1090 GREY. Tape:- ARBOSEAL GZ 12 x 3 Charcoal Grey.

We recommend the use of Rivels for gutter jointing aluminium sealed - dome head 4.8 x 14.5mm.

FIXINGS - Wherever possible should be stainless steel sometimes self drillers to steel need to be carbon steel.

SITE PAINTING

Materials need to be degreased and primed with a quality aluminium etch primer. If over painting polyester powder coated materials, clean surface with a solvent cleaner and lightly rub down.

Apply top coat, no primers or undercoat is required. with a solvent cleaner and lightly rub down. Apply top coat, no primers or undercoat is required.

TESTING

Whilst it would be preferable to water test the rainwater system, under most site conditions this is not practical. If testing is required it should be done when the system is complete.

The outlets should be blocked and the gutters filled two thirds of capacity. After 5 minutes the joints should be checked, unblocking the outlets and discharging the water will test the pipes. Any remedial works should be undertaken, retest until satisfactory.

MAINTENANCE

Regularly clean out gutters and check downpipes are clear.

All brackets and fixings should be inspected to ensure they are secure and take remedial action as necessary.

Clean polyester powder coated surfaces regularly by washing the coating using a warm mild detergent (non-toxic) solution. (The period of cleaning depends on atmospheric conditions).

This should be done with a soft cloth/sponge. Under no circumstances, should abrasive cleaners etc. be used.

Mill finish goods will develop a natural aluminium oxide coating which is a hard

Coating note: Customer & specifier should ensure that if the project is in a marine/harsh atmosphere area it has upgraded coating.

protective layer so no further maintenance is necessary.

ORDERING AND SUPPLY

When ordering, please state reference numbers and the colour if polyester powder coated including a RAL or BS code number, our coating will be for standard atmospheric conditions (not marine, industrial etc).

The product is available through a network of merchants.

For export or queries, please contact our sales office.

TECHNICAL

For any advice including other products, please contact our technical department.

MODEL SPECIFICATIONS

GUTTERS

Guttercrest heavy grade gutter system to BS2997

Profile: Product name and size

Material: _____ mm thickness

Finish: Polyester powder coated to BS6497 or mill finish

Colour: RAL _____ or BS _____. Give ref. no.

Method of jointing:

Internal / external welded butt strap, silicone and butyl seals and riveted.

Method of fixing:

Fascia bracket / direct back fix / direct back fix through internal cross brace.

Installed to manufacturers instructions.

RAINWATER PIPES

Guttercrest heavy grade extruded aluminium pipes and fittings to BS2997.

Profile: Product name - round / square / rectangular and size.

Material: _____ mm thickness

Finish: Polyester powder coated to BS6497 or mill finish.

Colour: RAL or BS. Give ref. no.

Method of jointing:

Plain socket / cast socket / internal spigot.

Method of fixing:

Pipe clips or eared socket.

Installed to manufacturers instructions.

MANUFACTURER

Guttercrest Limited · Victoria Road · Oswestry · Shropshire · SY11 2HX

Telephone: 01691 663300 · Fax: 01691 663311



MANUFACTURERS OF
ALUMINIUM GUTTERS & DOWNPIPES
FASCIAS & SOFFITS
WALL COPINGS & CAPPINGS
COLUMN & BEAM CASINGS
RAINWATER HOPPER HEADS

GUTTERCREST

Telephone: 01691 663300
Fax: 01691 663311
Email: Info@Guttercrest.co.uk
Website: www.guttercrest.co.uk